

ETSI ES 202 336-2 V1.1.1 (2009-03)

ETSI Standard

**Environmental Engineering (EE);
Monitoring and control interface for
infrastructure equipment (Power, Cooling and
environment systems used in telecommunication networks);
Part 2: DC power system control and
monitoring information model**

iTeh STANDARD PREVIEW
(standards.iteh.ai)
Full standard:
<https://standards.iteh.ai/catalog/standards/sist/bd8b2172-1516-429a-9db6-551f6e3494b/etsi-es-202-336-2-v1.1.1-2009-03>



Reference

DES/EE-02037-2

Keywords

control, interface, management, power, system

ETSI

650 Route des Lucioles
F-06921 Sophia Antipolis Cedex - FRANCE

Tel.: +33 4 92 94 42 00 Fax: +33 4 93 65 47 16

Siret N° 348 623 562 00017 - NAF 742 C
Association à but non lucratif enregistrée à la
Sous-Préfecture de Grasse (06) N° 7803/88

Important notice

Individual copies of the present document can be downloaded from:

<http://www.etsi.org>

The present document may be made available in more than one electronic version or in print. In any case of existing or perceived difference in contents between such versions, the reference version is the Portable Document Format (PDF). In case of dispute, the reference shall be the printing on ETSI printers of the PDF version kept on a specific network drive within ETSI Secretariat.

Users of the present document should be aware that the document may be subject to revision or change of status. Information on the current status of this and other ETSI documents is available at

<http://portal.etsi.org/tb/status/status.asp>

If you find errors in the present document, please send your comment to one of the following services:

http://portal.etsi.org/chaicor/ETSI_support.asp

Copyright Notification

No part may be reproduced except as authorized by written permission.
The copyright and the foregoing restriction extend to reproduction in all media.

© European Telecommunications Standards Institute 2009.
All rights reserved.

DECT™, **PLUGTESTS™**, **UMTS™**, **TIPHON™**, the TIPHON logo and the ETSI logo are Trade Marks of ETSI registered for the benefit of its Members.

3GPP™ is a Trade Mark of ETSI registered for the benefit of its Members and of the 3GPP Organizational Partners.

LTE™ is a Trade Mark of ETSI currently being registered

for the benefit of its Members and of the 3GPP Organizational Partners.

GSM® and the GSM logo are Trade Marks registered and owned by the GSM Association.

Contents

Intellectual Property Rights	5
Foreword.....	5
1 Scope	6
2 References	6
2.1 Normative references	6
2.2 Informative references.....	7
3 Definitions and abbreviations.....	7
3.1 Definitions.....	7
3.2 Abbreviations	9
4 DC power supply system.....	10
Annex A (normative): Summary of mandatory monitoring/supervision information and functions.....	12
A.1 DC POWER SUPPLY SYSTEMS.....	12
A.1.1 Table for DC power supply system without back-up	12
A.1.2 Table for DC power supply system with back-up	13
Annex B (informative): Summary of non-mandatory monitoring/supervision information and functions	15
B.1 DC power supply system without back-up.....	15
B.2 DC power supply system with back-up.....	16
B.3 DC power supply rectifier	17
Annex C (normative): Mandatory XML structure and elements.....	18
C.1 Structure of an XML document for a DC power supply system.....	18
C.2 The specific XML elements of a DC power supply system.....	19
Annex D (informative): Examples of XML elements for a DC power supply system.....	20
D.1 The <description> elements of a DC power supply system	20
D.2 The <alarm> elements of a DC power supply system.....	21
D.3 The <event> elements of a DC power supply system	21
D.4 The <data> elements of a DC power supply system	22
D.5 The <data_record> elements of a DC power supply system.....	22
D.6 The <config> elements of a DC power supply system.....	22
D.7 The <control> elements of a DC power supply system	23
D.8 The <description> elements of a DC power supply rectifier	23
D.9 The <alarm> elements of a DC power supply rectifier	23
D.10 The <event> elements of a DC power supply rectifier.....	23
D.11 The <data> elements of a DC power supply rectifier.....	23
D.12 The <config> elements of a DC power supply rectifier.....	24
D.13 The <control> elements of a DC power supply rectifier.....	24

Annex E (informative):	Bibliography	25
History		26

iTeh STANDARD PREVIEW
(standards.iteh.ai)

Full standard:
<https://standards.iteh.ai/catalog/standards/sist/bd8b2172-1516-429a-9db6-551f6e3494b/etsi-es-202-336-2-v1.1.1-2009-03>

Intellectual Property Rights

IPRs essential or potentially essential to the present document may have been declared to ETSI. The information pertaining to these essential IPRs, if any, is publicly available for **ETSI members and non-members**, and can be found in ETSI SR 000 314: *"Intellectual Property Rights (IPRs); Essential, or potentially Essential, IPRs notified to ETSI in respect of ETSI standards"*, which is available from the ETSI Secretariat. Latest updates are available on the ETSI Web server (<http://webapp.etsi.org/IPR/home.asp>).

Pursuant to the ETSI IPR Policy, no investigation, including IPR searches, has been carried out by ETSI. No guarantee can be given as to the existence of other IPRs not referenced in ETSI SR 000 314 (or the updates on the ETSI Web server) which are, or may be, or may become, essential to the present document.

Foreword

This ETSI Standard (ES) has been produced by ETSI Technical Committee Environmental Engineering (EE).

The present document is part 2 of a multi-part deliverable covering Monitoring and control interface for infrastructure equipment (Power, Cooling and environment systems used in telecommunication networks), as identified below:

- Part 1: "Generic Interface";
- Part 2: "DC power system control and monitoring information model";**
- Part 3: "AC UPS power system control and monitoring information model";
- Part 4: "AC distribution power system control and monitoring information model";
- Part 5: "AC diesel back-up generator system control and monitoring information model";
- Part 6: "Air conditioning system control and monitoring information model";
- Part 7: "Other utilities system control and monitoring information model".

1 Scope

The present document applies to monitoring and control of DC power supply systems for telecommunication equipment.

The present document defines:

- The monitored and controlled DC power supply system architectures.
- The minimum set of exchanged information required at the interface, described in "natural language" in text tables.
- The XML files with tags and variables corresponding to the data in the tables.

2 References

References are either specific (identified by date of publication and/or edition number or version number) or non-specific.

- For a specific reference, subsequent revisions do not apply.
- Non-specific reference may be made only to a complete document or a part thereof and only in the following cases:
 - if it is accepted that it will be possible to use all future changes of the referenced document for the purposes of the referring document;
 - for informative references.

Referenced documents which are not found to be publicly available in the expected location might be found at <http://docbox.etsi.org/Reference>.

NOTE: While any hyperlinks included in this clause were valid at the time of publication ETSI cannot guarantee their long term validity.

2.1 Normative references

The following referenced documents are indispensable for the application of the present document. For dated references, only the edition cited applies. For non-specific references, the latest edition of the referenced document (including any amendments) applies.

- [1] ETSI ES 202 336-1: "Environmental Engineering (EE); Monitoring and Control Interface for Infrastructure Equipment (Power, Cooling and Building Environment Systems used in Telecommunication Networks); Part 1: Generic Interface".
- [2] ETSI EN 300 132-2: "Environmental Engineering (EE); Power supply interface at the input to telecommunications equipment; Part 2: Operated by direct current (dc)".
- [3] ETSI EN 300 132-3: "Environmental Engineering (EE); Power supply interface at the input to telecommunications equipment; Part 3: Operated by rectified current source, alternating current source or direct current source up to 400 V".
- [4] ETSI EN 302 099: "Environmental Engineering (EE); Powering of equipment in access network".

2.2 Informative references

The following referenced documents are not essential to the use of the present document but they assist the user with regard to a particular subject area. For non-specific references, the latest version of the referenced document (including any amendments) applies.

- [i.1] IEEE 802.1 to 11: "IEEE Standard for Local and Metropolitan Area Networks: Overview and Architecture".
- [i.2] ISO/IEC 10164 (all parts): "Information technology - Open Systems Interconnection".
- [i.3] ISO/IEC 8879: "Information processing - Text and office systems - Standard Generalized Markup Language (SGML)".
- [i.4] IEC 60896 (all parts): "Stationary lead-acid batteries".

3 Definitions and abbreviations

3.1 Definitions

For the purposes of the present document, the following terms and definitions apply:

NOTE: Terms referring to energy interface, equipment and distribution are described in power distribution standards EN 300 132-2 [2], EN 300 132-3 [3] for ac and dc interface and EN 302 099 [4] for access network equipment powering.

alarm: any information signalling abnormal state, i.e. different to specified normal state of hardware, software, environment condition (temperature, humidity, etc.)

NOTE: The alarm signal should be understood by itself by an operator and should always have at least one severity qualification or codification (colour, level, etc.). Example: rectifier failure, battery low voltage, etc.).

alarm loop: electrical loop which open or closed state correspond to alarm start (set) or end (clear) state

alarm message: text parts of the alarm structure

alarm structure: organized set of information fields in an alarm data frame (time stamp, set/clear, text, etc.)

battery: complete arrangement of battery cells or blocks in one string or more in parallel

battery block: battery cell (e.g. 2 V for lead-acid) connected and placed in the same container (forming 4 V, 6 V or 12 V blocks)

battery cell: basic electrochemical element (e.g. a 2 V nominal cell for a high capacity lead acid battery)

battery string: number of serially interconnected battery blocks or cells

client post: any device (laptop, PDA, console, etc.) connected to servers via the operation system networks to perform maintenance or supervision operations

Control Unit (CU): integrated unit in an equipment to monitor and control this equipment through sensors and actuators

Control form Style Sheet (CSS): simple mechanism for adding style (e.g. fonts, colours, spacing) to Web documents. Tutorials, books, mailing lists for users, etc.

Data Gathering Unit (DGU): functional unit used for several functions:

- collect serial, digital, and analog data from several equipment;
- option to send (output) serial or digital commands;
- forward/receive information to/from the Local/Remote Management Application via agreed protocols;
- mediation between interfaces and protocols.

NOTE: This function may be integrated as part of specific equipment.

Dynamic Host Control Protocol (DHCP): protocol used for self configuration of TCP/IP parameters of a workstation assigning IP address and a subnetwork mask

NOTE: DHCP may also configure DNS.

Dynamic Name Server (DNS): associates a single domain name to an IP address

dynamic synoptic: dynamic display of geographical maps, networks, installations and equipment

Ethernet: LAN protocol

NOTE: Equivalent to IEEE 802.1 to 11 [i.1].

event: any information signalling a change of state which is not an alarm: e.g. battery test, change of state of battery charge

NOTE: The event signal should be understood by itself by an operator and should always have at least one severity qualification or codification (colour, level, etc.). It should be transmitted in a formatted structure with text message and other fields like for alarm, e.g. an event can be coded as an alarm with severity "0".

infrastructure equipment: power, cooling and building environment systems used in telecommunications centres and Access Networks locations

EXAMPLE: Cabinets, shelters, underground locations, etc.

intranet: internal company network generally using Ethernet protocol and extended IP addresses

logbook: chronological file that contains alarm and event messages may be paper or electronic

Management Information Base (MIB): dynamic data base that gathers all objects and should evolve to include automatic and manual configuration tools with self coherence tests

menu: list of possible input command choices that may be presented in different ways on a display

NOTE: Selection is normally made by a keyboard, a pointing device, a mouse or directly by finger on a sensitive screen.

object: class description of items that accept a set of properties or functions

NOTE: Generic objects can include more specific items and inherit from their properties. If correctly structured, object programming can allow the system to evolve, i.e. be more future-proof. The code should intrinsically be open and structured.

PHP: powerful tool for making dynamic and interactive Web pages

pop-up: information or command screen that appears when a menu choice is selected

NOTE: For example this may be a pop-up menu when the pointer is on a title button.

Representational State Transfer (REST): way to build an application for distributed system as www

Simple Object Access Protocol (SOAP): way to communicate between applications running on different operating systems, with different technologies and programming languages

NOTE: SOAP communicates over HTTP, because HTTP is supported by all Internet browsers and servers, SOAP traffic is not blocked by firewalls and proxy servers (see W3C).

Systems Management Function (SMF): object properties or classes with projection on CMIS application context communication

NOTE: Set of ISO system management functions according to ISO/IEC 10164 [i.2].

warning: low severity alarm

World Wide Web Consortium (W3C): consortium founded in October 1994 to develop common interoperable protocols and promote World Wide Web

NOTE: See <http://www.w3c.org>.

Windows: virtual area on the display that corresponds to a specific application

web: common name for the Internet or Intranet

XCU: CU enabled to communicate using XML interface as defined in the present document

XHTML: stricter and cleaner version of HTML. XHTML consists of all the elements in HTML 4.01 combined with the syntax of XML. It can be read by all XML browser (see W3C)

eXtensible Mark-up Language (XML): application profile or restricted form of SGML

NOTE: By construction, XML documents are conforming SGML the Standard Generalized Markup Language (ISO/IEC 8879 [i.3]). documents. XML is designed to describe data and focus on what data is. XML should be discerned from the well known Hypertext Transfer Mark-up Language (HTML) which was designed to display data and to focus on how data looks.

XML Schema Definition (XSD): new more detailed XML description compared to the previous one, the DTD

Extensible Style sheet Language (XSL): language for expressing style sheets

NOTE: It consists of two parts, a language for transforming XML documents, and an XML vocabulary for specifying formatting semantics. An XSL style sheet specifies the presentation of a class of XML documents by describing how an instance of the class is transformed into an XML document that uses the formatting vocabulary.

3.2 Abbreviations

For the purposes of the present document, the following abbreviations apply:

CSS	Control form Style Sheet
CU	Control Unit of an equipment
DGU	Data Gathering Unit
DHCP	Dynamic Host Control Protocol
DNS	Dynamic Name Server
DTD	Document Type Definition
HTML	Hypertext Transfer Make-up Language
HTTP	Hypertext Transfer Protocol
I_{Av}	Average output load current (DC)
I_{Batt}	Total battery current (DC)
I_{Load}	Total output load current (DC)
IP	Internet Protocol
I_{Rect}	Total rectifier output current (DC)
LAN	Local Array Network
MIB	Management Information Base
MN	Management network

PHP	Hypertext Preprocessor
REST	REpresentational State Transfer
RMA	Remote Management Application
SMF	Systems Management Function
SOAP	Simple Object Access Protocol
TCP	Transmission Control Protocol for IP
W3C	World Wide Web Consortium
XCU	XML enabled CU
XML	eXtensible Markup Language (see W3C)
XSD	XML Schema Definition
XSL	eXtensible Style sheet Language

4 DC power supply system

The DC system subset described in ES 202 336-1 [1] transforms AC interface from mains or AC back-up engine defined in EN 300 132-3 [3], in DC voltage on interface A defined in EN 300 132-2 [2] or EN 300 132-3 [3] for telecom centre or defined for local or remote power supply of access network equipment in EN 302 099 [4].

The DC power systems addressed by the present document are depicted in figures 1 and 2. One single control unit XCU can monitor and control several power cabinets through field bus. Field bus is outside the scope of the present document.

Mandatory monitoring/ supervision information and functions are given in annex A.

Non-mandatory (optional) monitoring/ supervision information and functions are given in annex B.

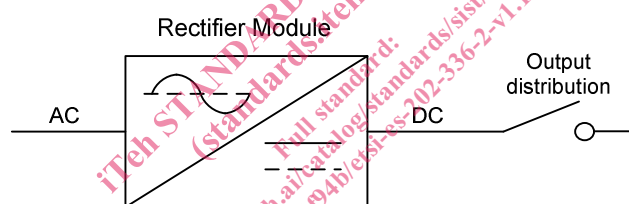


Figure 1: Simple DC power supply system with no battery backup

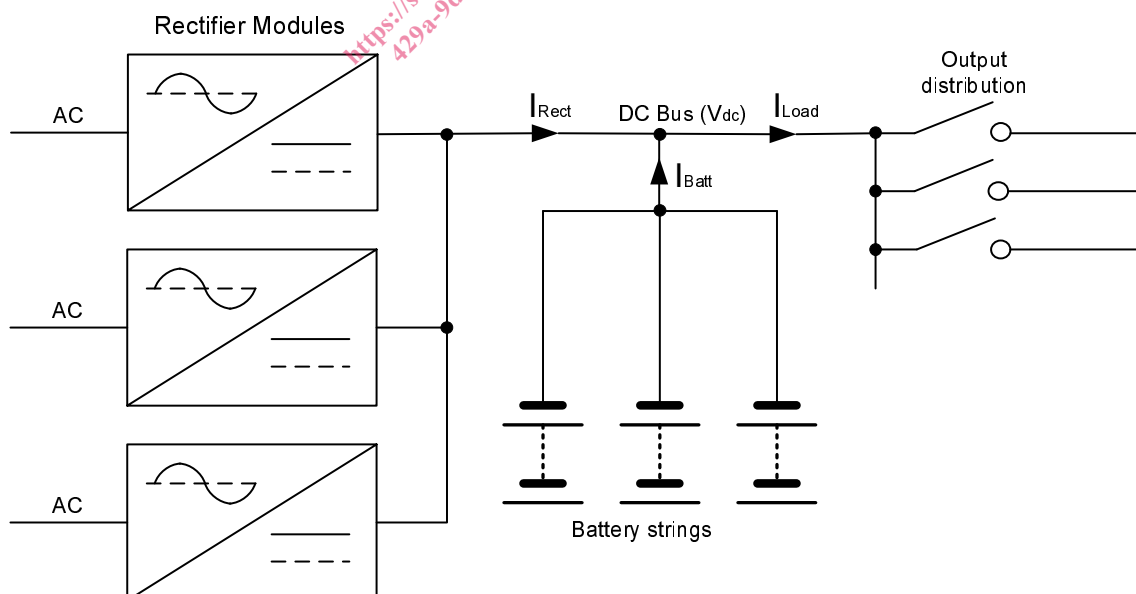


Figure 2: Modular DC power supply system with battery backup