



SLOVENSKI STANDARD
SIST EN 3545-006:2009

01-junij-2009

5 YfcbUj h_U! ?cbY_lcf jZY_Y_fj b]ždfUj c_cfb]žg'hYgb]bc`_Udc`Uj`VfYn`b^Yž
d`Ugh] bc`c\ jý^ŽnUdcfb]a Y Ub]nYa žXYcj bUHYa dYfUhi fUa YX`È) `š7`j`b`%+) `š7`!
\$\$*`"XY.`NUh] `j`b`g]ghYa `nUdf]fX]hYj `bU`bYdfYa] bc`c\ jý^fj h] b]VUK!`GhUbXUfX`nU
dfc]nj cX

Aerospace series - Connectors, electrical, rectangular, with sealed and non-sealed rear, plastic housing, locking device, operating temperatures - 55 °C to 175 °C - Part 006: Male coding and attachment System for mounting on fixed housing (receptacle) - Product standard

ITeH STANDARD PREVIEW
(standards.iteh.ai)

Luft- und Raumfahrt - Elektrische Rechtecksteckverbinder mit und ohne hintere Abdichtung, Plastikgehäuse, Verriegelungssystem, Betriebstemperaturen von -55 °C bis 175 °C - Teil 006: Stiftkodierung und Befestigungszubehör für ein festes Gehäuse (Steckdose) - Produktnorm

Série aérospatiale - Connecteurs électriques, rectangulaires, étanches et non étanches à l'arrière, à boîtier en plastique, à verrouillage, températures d'utilisation -55 °C à 175 °C - Partie 006 : Système de fixation et de codage mâle pour montage sur boîtier fixe (embase) - Norme de produit

Ta slovenski standard je istoveten z: EN 3545-006:2006

ICS:

49.060 Š^æ\ æš Á^•[|b\ æ Aerospace electric
^|\ dā } æ] !^ { æš Á ã c { ã equipment and systems

SIST EN 3545-006:2009

en,de

iTeh STANDARD PREVIEW
(standards.iteh.ai)

SIST EN 3545-006:2009

<https://standards.iteh.ai/catalog/standards/sist/551c05a7-6d8f-41d9-b831-ccdf728a0230/sist-en-3545-006-2009>

EUROPEAN STANDARD

EN 3545-006

NORME EUROPÉENNE

EUROPÄISCHE NORM

July 2006

ICS 49.060

English Version

Aerospace series - Connectors, electrical, rectangular, with sealed and non-sealed rear, plastic housing, locking device, operating temperatures - 55 °C to 175 °C - Part 006: Male coding and attachment System for mounting on fixed housing (receptacle) - Product standard

Série aérospatiale - Connecteurs électriques, rectangulaires, étanches et non étanches à l'arrière, à boîtier en plastique, à verrouillage, températures d'utilisation -55 °C à 175 °C - Partie 006 : Système de fixation et de codage mâle pour montage sur boîtier fixe (embase) - Norme de produit

Luft- und Raumfahrt - Elektrische Rechtecksteckverbinder mit und ohne hintere Abdichtung, Plastikgehäuse, Verriegelungssystem, Betriebstemperaturen von -55 °C bis 175 °C - Teil 006: Buchsenkodierung und Befestigungszubehör für ein festes Gehäuse (Steckdose) - Produktnorm

iTeh STANDARD PREVIEW

This European Standard was approved by CEN on 3 February 2006.

CEN members are bound to comply with the CEN/CENELEC Internal Regulations which stipulate the conditions for giving this European Standard the status of a national standard without any alteration. Up-to-date lists and bibliographical references concerning such national standards may be obtained on application to the Central Secretariat or to any CEN member.

This European Standard exists in three official versions (English, French, German). A version in any other language made by translation under the responsibility of a CEN member into its own language and notified to the Central Secretariat has the same status as the official versions.

CEN members are the national standards bodies of Austria, Belgium, Cyprus, Czech Republic, Denmark, Estonia, Finland, France, Germany, Greece, Hungary, Iceland, Ireland, Italy, Latvia, Lithuania, Luxembourg, Malta, Netherlands, Norway, Poland, Portugal, Romania, Slovakia, Slovenia, Spain, Sweden, Switzerland and United Kingdom.



EUROPEAN COMMITTEE FOR STANDARDIZATION
COMITÉ EUROPÉEN DE NORMALISATION
EUROPÄISCHES KOMITEE FÜR NORMUNG

Management Centre: rue de Stassart, 36 B-1050 Brussels

Contents

	Page
Foreword.....	3
1 Scope	4
2 Normative references	4
3 Terms and definitions	4
4 Required characteristics	4
5 Designation	6
6 Technical specification	6

iTeh STANDARD PREVIEW (standards.iteh.ai)

[SIST EN 3545-006:2009](#)

<https://standards.iteh.ai/catalog/standards/sist/551c05a7-6d8f-41d9-b831-ccdf728a0230/sist-en-3545-006-2009>

Foreword

This European Standard (EN 3545-006:2006) has been prepared by the AeroSpace and Defense Industries Association of Europe - Standardization (ASD-STAN).

After enquiries and votes carried out in accordance with the rules of this Association, this Standard has received the approval of the National Associations and the Official Services of the member countries of ASD, prior to its presentation to CEN.

This European Standard shall be given the status of a national standard, either by publication of an identical text or by endorsement, at the latest by January 2007, and conflicting national standards shall be withdrawn at the latest by January 2007.

Attention is drawn to the possibility that some of the elements of this document may be the subject of patent rights. CEN [and/or CENELEC] shall not be held responsible for identifying any or all such patent rights.

According to the CEN/CENELEC Internal Regulations, the national standards organizations of the following countries are bound to implement this European Standard: Austria, Belgium, Cyprus, Czech Republic, Denmark, Estonia, Finland, France, Germany, Greece, Hungary, Iceland, Ireland, Italy, Latvia, Lithuania, Luxembourg, Malta, Netherlands, Norway, Poland, Portugal, Romania, Slovakia, Slovenia, Spain, Sweden, Switzerland and the United Kingdom.

ITEH STANDARD PREVIEW
(standards.iteh.ai)

[SIST EN 3545-006:2009](https://standards.iteh.ai/catalog/standards/sist/551c05a7-6d8f-41d9-b831-ccdf728a0230/sist-en-3545-006-2009)

<https://standards.iteh.ai/catalog/standards/sist/551c05a7-6d8f-41d9-b831-ccdf728a0230/sist-en-3545-006-2009>

EN 3545-006:2006 (E)**1 Scope**

This standard specifies the male coding and attachment system for mounting on fixed housing in the family of rectangular electrical connectors with sealed and non-sealed rear, plastic housing, locking device, for operating temperatures from -55 °C to 175 °C.

2 Normative references

The following referenced documents are indispensable for the application of this document. For dated references, only the edition cited applies. For undated references, the latest edition of the referenced document (including any amendments) applies.

EN 3545-001, *Aerospace series — Connectors, electrical, rectangular, with sealed and non-sealed rear, plastic housing, locking device, operating temperatures -55 °C to 175 °C — Part 1: Technical specification*¹⁾

EN 3545-002, *Aerospace series — Connectors, electrical, rectangular, with sealed and non-sealed rear, plastic housing, locking device, operating temperatures -55 °C to 175 °C — Part 2: Specification of performance and contact arrangements*¹⁾

FED-STD-H28:1978, *Screw threads standards for federal services*²⁾

3 Terms and definitions

For the purposes of this standard, the terms and definitions given in EN 3545-001 apply.

4 Required characteristics**4.1 Dimensions, mass**

The dimensions of attachment system are given in Figures 1, 2 and 3.

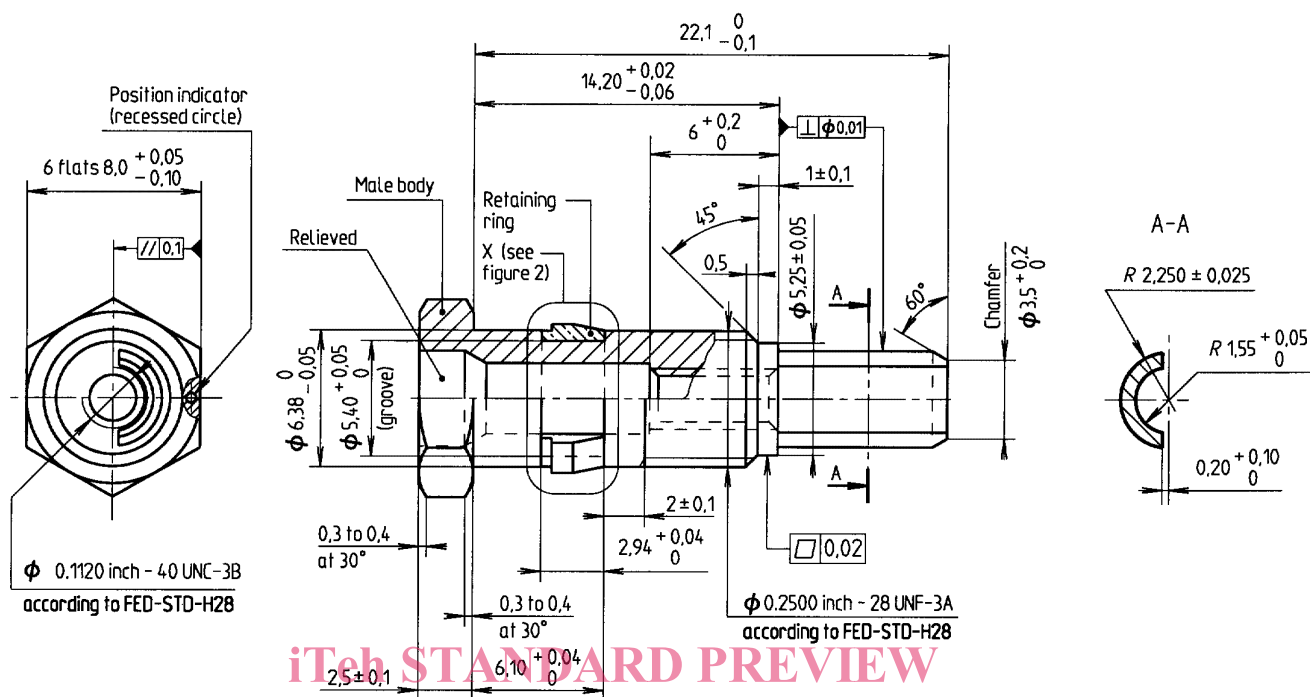
Dimensions and tolerances are in millimetres.

Mass: 6 g max.

1) Published as ASD Prestandard at the date of publication of this standard.

2) Published by: Department of Defense (DOD), the Pentagon, Washington, D.C. 20301 USA.

$\text{◎} \phi 0,025$ General concentricity



STANDARD PREVIEW
 (standards.itech.ai)

Figure 1 — Male body

SIST EN 3545-006:2009

<https://standards.itech.ai/catalog/standards/sist/551c05a7-6d8f-41d9-b831-ccd728a0230/sist-en-3545-006-2009>

Washer and nut are fitted on the male body

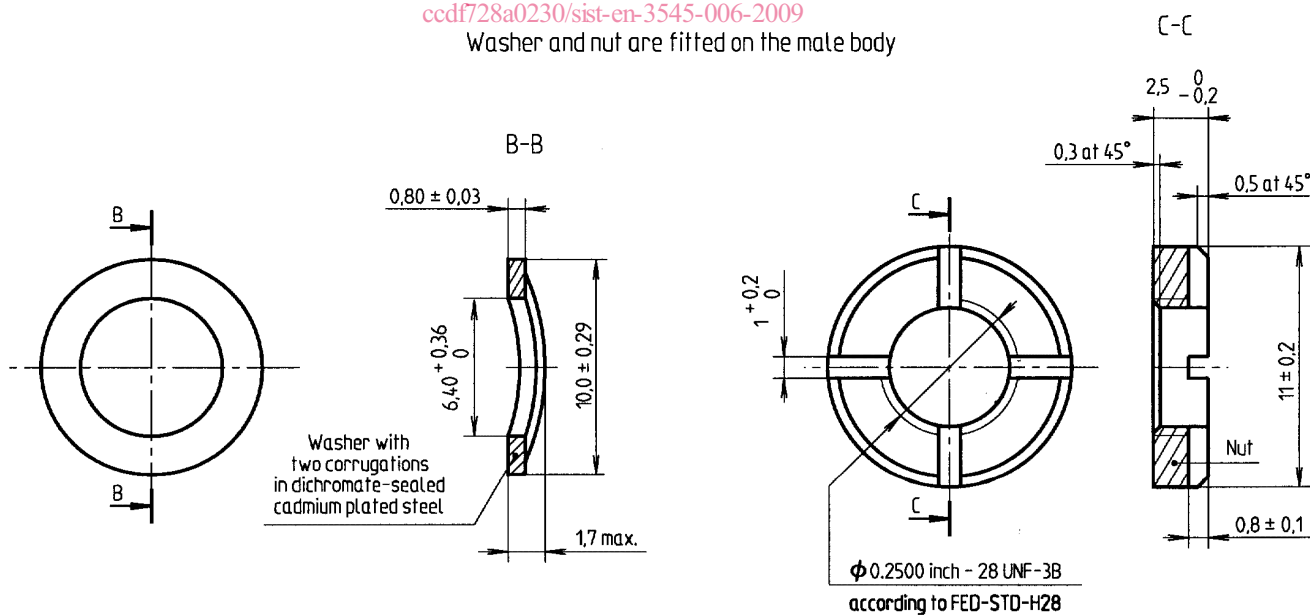


Figure 2 — Washer and nut

EN 3545-006:2006 (E)

 $\phi 0,025$ General concentricity

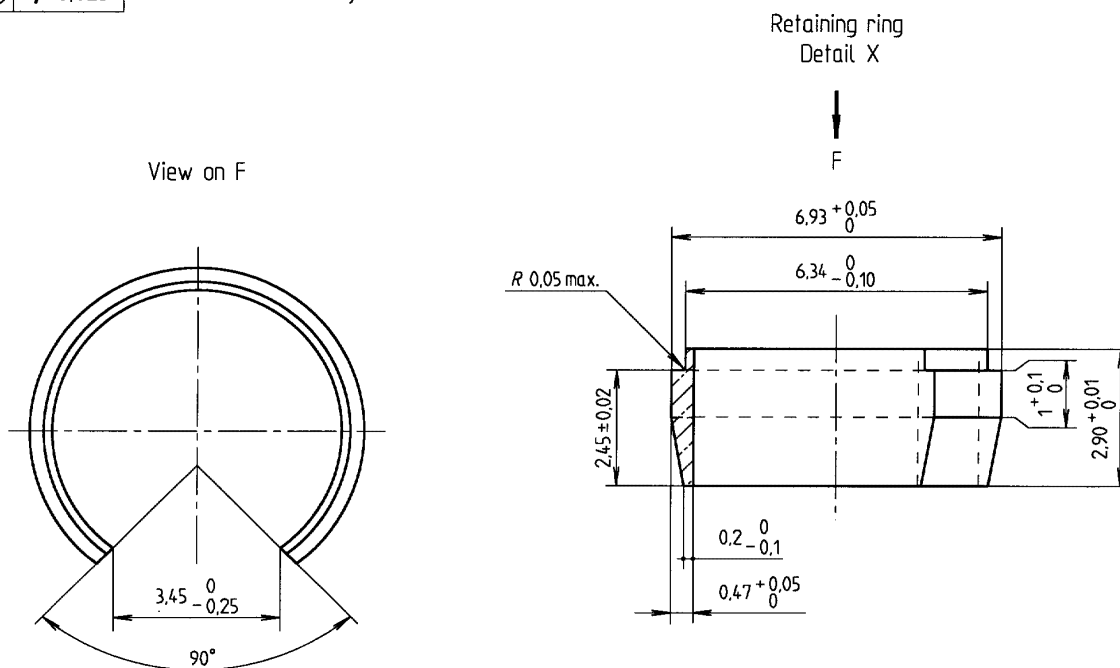


Figure 3 — Retaining ring

STANDARD PREVIEW
(standards.iteh.ai)

4.2 Material, surface treatment

Body: steel, cadmium-plated, dichromate sealed

Retaining ring: beryllium copper, cadmium-plated, dichromate sealed

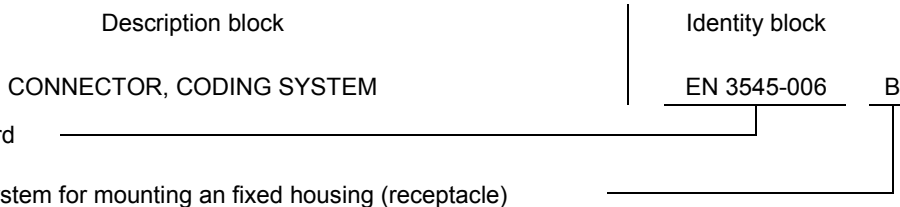
4.3 Main general characteristics

See EN 3545-2.

Tightening torque of the panel mounting nut: 0,125 daN-m to 0,150 daN-m

5 Designation

EXAMPLE



NOTE If necessary, the code I9005 shall be placed between the description block and the identity block.

6 Technical specification

See EN 3545-001.