
**Commercial vehicles — Wheel hub
attachment dimensions**

*Véhicules utilitaires — Caractéristiques dimensionnelles de la fixation de
la roue sur le moyeu*

iTeh STANDARD PREVIEW
(standards.iteh.ai)

[ISO 4107:1998](https://standards.iteh.ai/catalog/standards/sist/2ceaceb5-61c0-4e52-a740-791ffea6028e/iso-4107-1998)

[https://standards.iteh.ai/catalog/standards/sist/2ceaceb5-61c0-4e52-a740-
791ffea6028e/iso-4107-1998](https://standards.iteh.ai/catalog/standards/sist/2ceaceb5-61c0-4e52-a740-791ffea6028e/iso-4107-1998)



Foreword

ISO (the International Organization for Standardization) is a worldwide federation of national standards bodies (ISO member bodies). The work of preparing International Standards is normally carried out through ISO technical committees. Each member body interested in a subject for which a technical committee has been established has the right to be represented on that committee. International organizations, governmental and non-governmental, in liaison with ISO, also take part in the work. ISO collaborates closely with the International Electrotechnical Commission (IEC) on all matters of electrotechnical standardization.

Draft International Standards adopted by the technical committees are circulated to the member bodies for voting. Publication as an International Standard requires approval by at least 75 % of the member bodies casting a vote.

International Standard ISO 4107 was prepared by Technical Committee ISO/TC 22, *Road vehicles*, Subcommittee SC 19, *Wheels*.

This third edition cancels and replaces the second edition (ISO 4107:1995), which has been technically revised.

© ISO 1998

All rights reserved. Unless otherwise specified, no part of this publication may be reproduced or utilized in any form or by any means, electronic or mechanical, including photocopying and microfilm, without permission in writing from the publisher.

International Organization for Standardization
Case postale 56 • CH-1211 Genève 20 • Switzerland
Internet iso@iso.ch

Printed in Switzerland

Commercial vehicles — Wheel hub attachment dimensions

1 Scope

This International Standard specifies the dimensions necessary for the attachment of a commercial road vehicle wheel on the hub of the vehicle whose fixing has 6, 8 or 10 stud holes.

The flat attachment type with centring on central bore in figure 1 and table 1 is the recommended type for future equipment. Other types are currently in use.

The specifications do not imply that the wheel is interchangeable from one vehicle to another.

2 Flat attachment with centring on central bore

The dimensions of the wheel and hub shall be as shown in figure 1 and table 1.

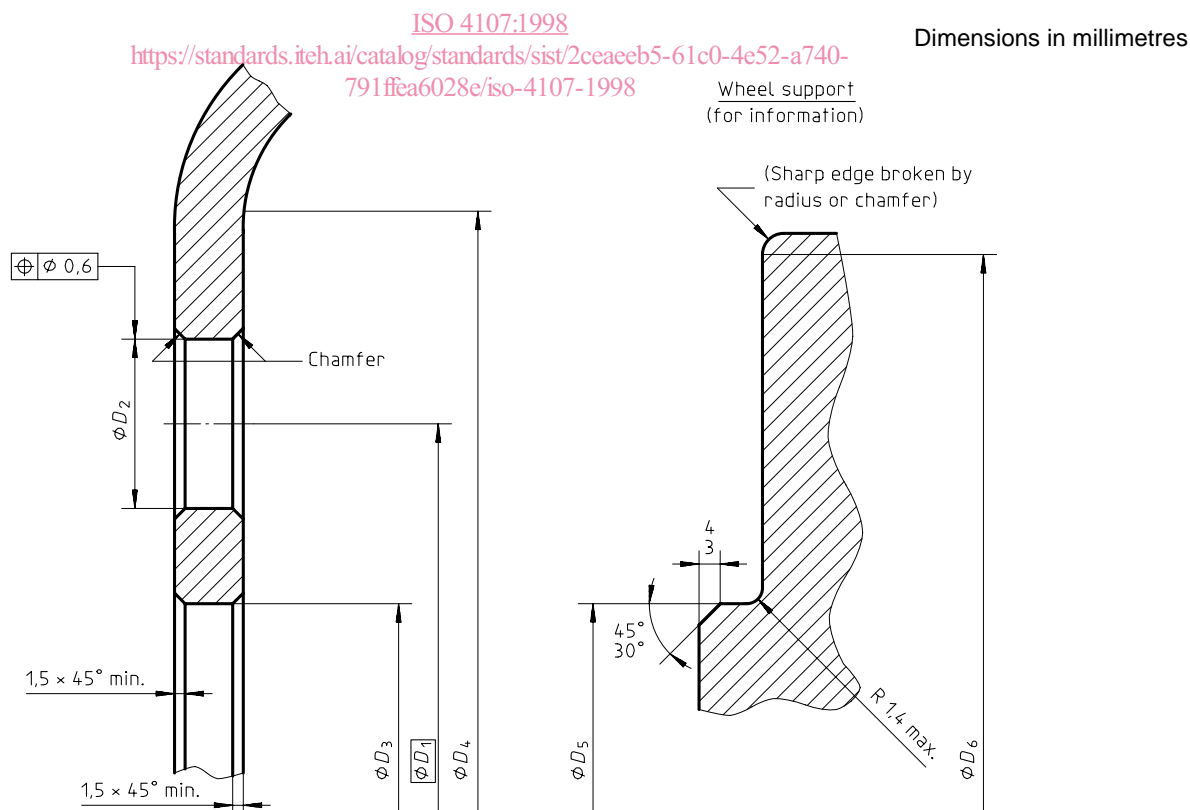


Figure 1 — Dimensions of wheel and hub

Table 1 — Dimensions

Dimensions in millimetres

Number of studs	Bolt circle diameter D_1	Bolt hole diameter D_2 $+1$ 0	Central bore diameter D_3 $+0,2$ 0	Disc flat diameter D_4 min.	Stud ¹⁾	Wheel support ¹⁾	
						D_5 0 $-0,2$	D_6 0 -5
6	205	21	161	255	18	160,8	250
	245		202	295		201,8	290
8	222,25	24	164	280	20	163,8	277
	275		221	325		220,8	320
10	285,75	26	220	345	22	219,8	340
	335		281	390		280,8	385

1) For information.

iTeh STANDARD PREVIEW
(standards.iteh.ai)

ISO 4107:1998

<https://standards.iteh.ai/catalog/standards/sist/2ceaceb5-61c0-4e52-a740-791f6ea6028e/iso-4107-1998>

iTeh STANDARD PREVIEW
(standards.iteh.ai)

ISO 4107:1998

<https://standards.iteh.ai/catalog/standards/sist/2ceaceb5-61c0-4e52-a740-791ffea6028e/iso-4107-1998>

iTeh STANDARD PREVIEW
(standards.iteh.ai)

ISO 4107:1998

<https://standards.iteh.ai/catalog/standards/sist/2ceaceb5-61c0-4e52-a740-791ffea6028e/iso-4107-1998>

ICS 43.040.50

Descriptors: road vehicles, commercial road vehicles, vehicle wheels, hubs, form specifications, dimensions, connecting dimensions.

Price based on 2 pages
