



SLOVENSKI STANDARD

SIST ISO 8364:2003

01-julij-2003

5`dg_Y'ga i]]b`j UfbcgfbY'j Yn]!'DcXfc ^'a cbfUjY'j Ufbcgfb] `j Yn]!'NU hYj Y`jb
dfYg_i gbY'a YfcXY

Alpine skis and bindings -- Binding mounting area -- Requirements and test methods

Skis et fixations des skis alpins -- Zone de montage de la fixation -- Exigences de tenue
et méthodes d'essai

ITeH STANDARD PREVIEW
(standards.iteh.ai)

Ta slovenski standard je istoveten z: **ISO 8364:1999**
<https://standards.iteh.ai/catalog/standards/sist/5519e625-d1ac-47a3-b669-0bc7e2d55e76/sist-iso-8364-2003>

ICS:

97.220.20 Oprema za zimske športe Winter sports equipment

SIST ISO 8364:2003

en

iTeh STANDARD PREVIEW
(standards.iteh.ai)

SIST ISO 8364:2003

<https://standards.iteh.ai/catalog/standards/sist/5319e623-d1ac-47a3-b669-0bc7e2d55e76/sist-iso-8364-2003>

INTERNATIONAL STANDARD

ISO
8364

Third edition
1999-10-01

Alpine skis and bindings — Binding mounting area — Requirements and test methods

*Skis et fixations de skis alpins — Zone de montage de la fixation —
Exigences de tenue et méthodes d'essai*

iTeh STANDARD PREVIEW
(standards.iteh.ai)

[SIST ISO 8364:2003](https://standards.iteh.ai/catalog/standards/sist/5319e623-d1ac-47a3-b669-0bc7e2d55e76/sist-iso-8364-2003)

[https://standards.iteh.ai/catalog/standards/sist/5319e623-d1ac-47a3-b669-
0bc7e2d55e76/sist-iso-8364-2003](https://standards.iteh.ai/catalog/standards/sist/5319e623-d1ac-47a3-b669-0bc7e2d55e76/sist-iso-8364-2003)

ISO 8364:1999(E)**Foreword**

ISO (the International Organization for Standardization) is a worldwide federation of national standards bodies (ISO member bodies). The work of preparing International Standards is normally carried out through ISO technical committees. Each member body interested in a subject for which a technical committee has been established has the right to be represented on that committee. International organizations, governmental and non-governmental, in liaison with ISO, also take part in the work. ISO collaborates closely with the International Electrotechnical Commission (IEC) on all matters of electrotechnical standardization.

International Standards are drafted in accordance with the rules given in the ISO/IEC Directives, Part 3.

Draft International Standards adopted by the technical committees are circulated to the member bodies for voting. Publication as an International Standard requires approval by at least 75 % of the member bodies casting a vote.

International Standard ISO 8364 was prepared by Technical Committee ISO/TC 83, *Sports and recreational equipment*, Subcommittee SC 4, *Skis and snowboards*.

This third edition cancels and replaces the second edition (ISO 8364:1991), of which it constitutes a technical revision.

iTeh STANDARD PREVIEW (standards.iteh.ai)

[SIST ISO 8364:2003](https://standards.iteh.ai/catalog/standards/sist/5319e623-d1ac-47a3-b669-0bc7e2d55e76/sist-iso-8364-2003)

<https://standards.iteh.ai/catalog/standards/sist/5319e623-d1ac-47a3-b669-0bc7e2d55e76/sist-iso-8364-2003>

© ISO 1999

All rights reserved. Unless otherwise specified, no part of this publication may be reproduced or utilized in any form or by any means, electronic or mechanical, including photocopying and microfilm, without permission in writing from the publisher.

International Organization for Standardization
Case postale 56 • CH-1211 Genève 20 • Switzerland
Internet iso@iso.ch

Printed in Switzerland

Alpine skis and bindings — Binding mounting area — Requirements and test methods

1 Scope

This International Standard specifies requirements and test methods for the binding mounting area and free space area, ski bindings and retention devices of alpine skis in order to optimize the compatibility of the functional unit "ski binding - retention device - boot".

It contains data for the manufacturer of alpine skis, bindings and retention devices concerning dimensions, tests and other specifications for the binding mounting area.

This International Standard is applicable to alpine skis of the following nominal lengths:

— group 1: $l_N \geq 1\,700$ mm

The requirements for group 1 are also applicable to adult skis of length between 1 400 mm and 1 700 mm.

— group 2: $1\,400 \text{ mm} \leq l_N < 1\,700$ mm

— group 3: $1\,000 \text{ mm} \leq l_N < 1\,400$ mm

— group 4: $750 \text{ mm} \leq l_N < 1\,000$ mm

For dimensions with no tolerance indicated, a tolerance of ± 1 mm is valid.

2 Normative references

The following normative documents contain provisions which, through reference in this text, constitute provisions of this International Standard. For dated references, subsequent amendments to, or revisions of, any of these publications do not apply. However, parties to agreements based on this International Standard are encouraged to investigate the possibility of applying the most recent editions of the normative documents indicated below. For undated references, the latest edition of the normative document referred to applies. Members of IEC and ISO maintain registers of currently valid International Standards.

ISO 2632-1:1985, *Roughness comparison specimens — Part 1: Turned, ground, bored, milled, shaped and planed*.

ISO 5355:1997, *Alpine ski-boots — Safety requirements and test methods*.

ISO 6004:1991, *Alpine skis — Ski binding screws — Requirements*.

ISO 6289:1985, *Skis — Terms and definitions*.

ISO 6506:1981, *Metallic materials — Hardness test — Brinell test*.

ISO 10045:1991, *Alpine skis — Binding mounting area — Requirements for test screws*.

3 Terms and definitions

For the purposes of this International Standard, the terms and definitions given in ISO 6289, and the following, apply.

3.1 mounting point

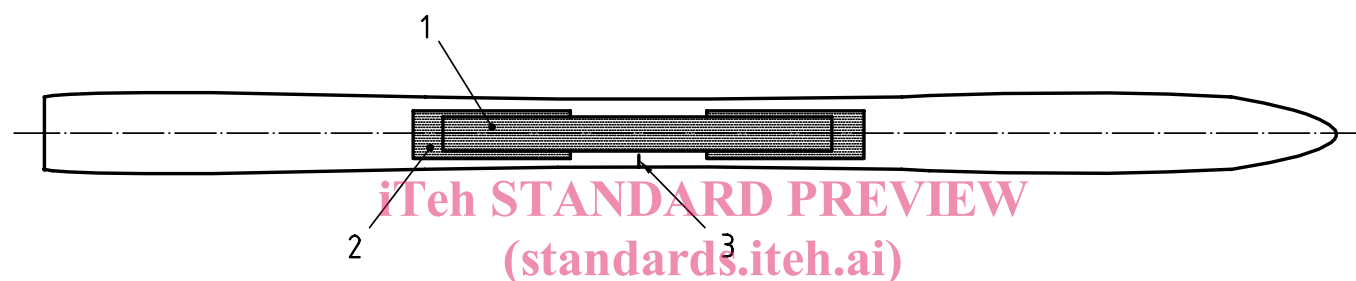
location on the ski that indicates the position of the boot along the length of the ski for the purpose of mounting the binding; the mounting point corresponds to the boot sole mark established by ISO 5355 for alpine ski-boots

3.2 free space area

area forward and rearward from the mounting point, fulfilling minimum flatness requirements in accordance with clause 5 (see Figure 1)

3.3 binding mounting area

area forward and rearward from the mounting point, fulfilling minimum strength requirements in accordance with clause 7 (see Figure 1)



Key

- 1 Binding mounting area (width according to 6.2) [SIST ISO 8364:2003](https://standards.iteh.ai/catalog/standards/sist/5319e623-d1ac-47a3-b669-0bc7e2d55e76/sist-iso-8364-2003)
 2 Free space area <https://standards.iteh.ai/catalog/standards/sist/5319e623-d1ac-47a3-b669-0bc7e2d55e76/sist-iso-8364-2003>
 3 Mounting point

Figure 1 — Free space and binding mounting areas

4 Specifications of free space area

4.1 Length of free space area

The length of the free space area forward and backward from the mounting point shall be according to Table 1.

Table 1 — Length of free space area

Group	Length of free space area forward and backward from the mounting point mm
1	300
2	270
3	210
4	190

4.2 Width of the free space area

The minimum width of the free space area shall be as follows:

— For groups 1 and 2:

48 mm within an area 100 mm forward and 100 mm rearward from the mounting point

53 mm in the remaining part of the free space area

— For groups 3 and 4:

46 mm within an area 100 mm forward and 100 mm rearward from the mounting point

50 mm in the remaining part of the free space area

5 Geometrical requirements of free space area

5.1 Longitudinal profile of the ski surface within the free space area

Deviations from the straightness of the longitudinal profile from a flat profile are only permissible in the form of a constant curve in the length of the free space area; the tolerance on straightness in this area, the ski base being pressed against a flat surface, is given for

— groups 1 and 2: 5 mm

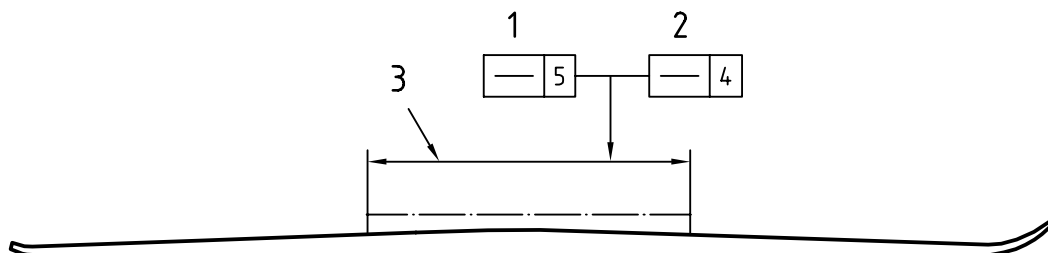
— groups 3 and 4: 4 mm

in Figure 2.

iTech STANDARD PREVIEW
(standards.itech.ai)

SIST ISO 8364:2003
<https://standards.itech.ai/catalog/standards/sist/5319e623-d1ac-47a3-b669-0bc7e2d55e76/sist-iso-8364-2003>

Tolerance in millimetres



Key

- 1 Groups 1 and 2
- 2 Groups 3 and 4
- 3 Length of the free space area

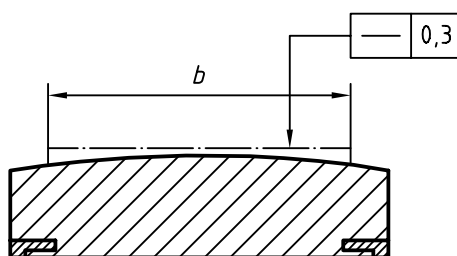
Figure 2 — Longitudinal profile of the surface

Outside the binding mounting area, within the length of the free space area, a maximum downward deviation of 2 mm from the constant curve is permissible.

5.2 Transverse profile of the ski surface within the free space area

Deviations of straightness of the transverse profile from the flat profile are only permissible in the form of a constant curve across the width of the free space area the tolerance on straightness within this area is given in Figure 3.

Tolerance in millimetres



b Width of the free space area

Figure 3 — Transverse profile of the structure

Beyond the free space area, on the remaining width of the ski, there shall be no elevation beyond the surface envelope of the free space area.

6 Specifications of binding mounting area

6.1 Length of binding mounting area

The length of the binding mounting area forward and backward from the mounting point shall be according to Table 2.

Table 2 — Length of binding mounting area

Group	Length of binding mounting area forward and backward from the mounting point mm
1	285
2	240
3	210
4	190

6.2 Width of binding mounting area

The width of the binding mounting area shall be such that it allows the mounting of alpine ski binding screws of nominal diameter 5,5 mm in accordance with ISO 6004, with the retention strength requirements in accordance with 7.1 fulfilled.

6.3 Minimum thickness of binding mounting area

Within the binding mounting area, a drill hole depth, d' , shall be available (see Figure 4) as follows:

- groups 1 and 2: 9,5 mm
- groups 3 and 4: 7,5 mm

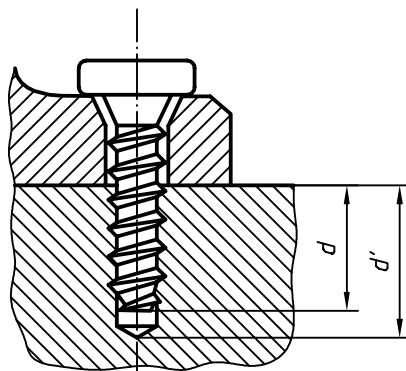


Figure 4 — Penetration depth, d , of mounting screws

7 Strength requirements of binding mounting area

7.1 Screw retention strength

Within the binding mounting area, the minimum value of the screw retention strength for two screws, if the load is applied quasi-statically, shall be as follows:

- group 1: 2 600 N

The requirements for group 1 are also applicable to adult skis of length between 1 400 mm and 1 700 mm.

- group 2: 1 800 N

- group 3: 1 300 N

- group 4: 1 300 N

iTeh STANDARD PREVIEW
(standards.iteh.ai)
SIST ISO 8364:2003
<https://standards.iteh.ai/catalog/standards/sist/5319e623-d1ac-47a3-b669-0bc7e2d55e76/sist-iso-8364-2003>

7.2 Stripping resistance

The minimum value of the stripping resistance of the ski shall be 5 N·m for groups 1 and 2.

NOTE The present state of the art does not allow a stripping resistance of 5 N·m for skis of groups 3 and 4. It is the responsibility of the ski manufacturer to indicate ski models demanding caution (stripping resistance lower than 5 N·m) when mounting bindings and to give mounting instructions such as smaller diameter drilling and manual screwdriving.

8 Specifications of the binding

The hole-pattern shall be in accordance with the geometrical requirements of 8.1.

8.1 Centre-to-centre distances for binding mounting screws

8.1.1 Maximum centre-to-centre distance

The maximum centre-to-centre distance in transverse orientation of the binding mounting screws shall be as follows:

- groups 1 and 2: 42,5 mm

- groups 3 and 4: 40,5 mm