



SLOVENSKI STANDARD
SIST EN 13277-3:2001/A1:2007
01-september-2007

Varovalna oprema za borilne športe - 3. del: Dodatne zahteve in preskusne metode za ščitnike trupa

Protective equipment for martial arts - Part 3: Additional requirements and test methods for trunk protectors

Schutzausrüstung für den Kampfsport - Teil 3: Zusätzliche Anforderungen und Prüfverfahren für den Oberkörperschutz

Équipement de protection pour les arts martiaux - Partie 3: Exigences et méthodes d'essai complémentaires relatives aux proteges-torses

<https://standards.iteh.ai/catalog/standards/sist/1272052e-65b8-4586-aeb6-56746f6b65ee/sist-en-13277-3-2001-a1-2007>

Ta slovenski standard je istoveten z: EN 13277-3:2000/A1:2007

ICS:

13.340.10	Varovalna obleka	Protective clothing
97.220.30	Oprema za dvoranske športe	Indoor sports equipment

SIST EN 13277-3:2001/A1:2007 **en,fr,de**

iTeh STANDARD PREVIEW
(standards.iteh.ai)

[SIST EN 13277-3:2001/A1:2007](https://standards.iteh.ai/catalog/standards/sist/1272052e-65b8-4586-aeb6-56746f6b65ee/sist-en-13277-3-2001-a1-2007)

<https://standards.iteh.ai/catalog/standards/sist/1272052e-65b8-4586-aeb6-56746f6b65ee/sist-en-13277-3-2001-a1-2007>

EUROPEAN STANDARD
NORME EUROPÉENNE
EUROPÄISCHE NORM

EN 13277-3:2000/A1

June 2007

ICS 13.340.10

English Version

Protective equipment for martial arts - Part 3: Additional requirements and test methods for trunk protectors

Équipement de protection pour les arts martiaux - Partie 3:
Exigences et méthodes d'essai complémentaires relatives
aux protège-torses

Schutzausrüstung für den Kampfsport - Teil 3: Zusätzliche
Anforderungen und Prüfverfahren für den Oberkörperschutz

This amendment A1 modifies the European Standard EN 13277-3:2000; it was approved by CEN on 10 May 2007.

CEN members are bound to comply with the CEN/CENELEC Internal Regulations which stipulate the conditions for inclusion of this amendment into the relevant national standard without any alteration. Up-to-date lists and bibliographical references concerning such national standards may be obtained on application to the CEN Management Centre or to any CEN member.

This amendment exists in three official versions (English, French, German). A version in any other language made by translation under the responsibility of a CEN member into its own language and notified to the CEN Management Centre has the same status as the official versions.

CEN members are the national standards bodies of Austria, Belgium, Bulgaria, Cyprus, Czech Republic, Denmark, Estonia, Finland, France, Germany, Greece, Hungary, Iceland, Ireland, Italy, Latvia, Lithuania, Luxembourg, Malta, Netherlands, Norway, Poland, Portugal, Romania, Slovakia, Slovenia, Spain, Sweden, Switzerland and United Kingdom.

[SIST EN 13277-3:2001/A1:2007](https://standards.iteh.ai/catalog/standards/sist/1272052e-65b8-4586-aeb6-56746f6b65ee/sist-en-13277-3-2001-a1-2007)

<https://standards.iteh.ai/catalog/standards/sist/1272052e-65b8-4586-aeb6-56746f6b65ee/sist-en-13277-3-2001-a1-2007>



EUROPEAN COMMITTEE FOR STANDARDIZATION
COMITÉ EUROPÉEN DE NORMALISATION
EUROPÄISCHES KOMITEE FÜR NORMUNG

Management Centre: rue de Stassart, 36 B-1050 Brussels

Contents

Page

Foreword.....	3
1 Modification to 4.1	4
2 Modification to 4.4	4
3 Modification to 5.3	4
4 Modification to Annex ZA	5

iTeh STANDARD PREVIEW (standards.iteh.ai)

[SIST EN 13277-3:2001/A1:2007](https://standards.iteh.ai/catalog/standards/sist/1272052e-65b8-4586-aeb6-56746f6b65ee/sist-en-13277-3-2001-a1-2007)

<https://standards.iteh.ai/catalog/standards/sist/1272052e-65b8-4586-aeb6-56746f6b65ee/sist-en-13277-3-2001-a1-2007>

Foreword

This document (EN 13277-3:2000/A1:2007) has been prepared by Technical Committee CEN/TC 162 "Protective clothing including hand and arm protection and lifejackets", the secretariat of which is held by DIN.

This Amendment to the European Standard EN 13277-3:2000 shall be given the status of a national standard, either by publication of an identical text or by endorsement, at the latest by December 2007, and conflicting national standards shall be withdrawn at the latest by December 2007.

According to the CEN/CENELEC Internal Regulations, the national standards organizations of the following countries are bound to implement this European Standard: Austria, Belgium, Bulgaria, Cyprus, Czech Republic, Denmark, Estonia, Finland, France, Germany, Greece, Hungary, Iceland, Ireland, Italy, Latvia, Lithuania, Luxembourg, Malta, Netherlands, Norway, Poland, Portugal, Romania, Slovakia, Slovenia, Spain, Sweden, Switzerland and United Kingdom.

iTeh STANDARD PREVIEW (standards.iteh.ai)

[SIST EN 13277-3:2001/A1:2007](https://standards.iteh.ai/catalog/standards/sist/1272052e-65b8-4586-aeb6-56746f6b65ee/sist-en-13277-3-2001-a1-2007)

<https://standards.iteh.ai/catalog/standards/sist/1272052e-65b8-4586-aeb6-56746f6b65ee/sist-en-13277-3-2001-a1-2007>

EN 13277-3:2000/A1:2007 (E)

1 Modification to 4.1

Delete "and chest girth".

2 Modification to 4.4

a). Delete Figure 1 and substitute with the following:

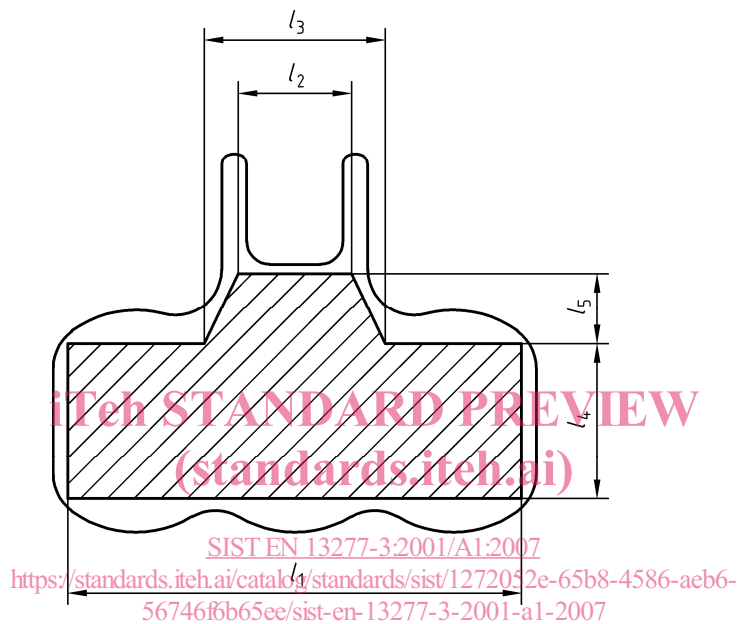
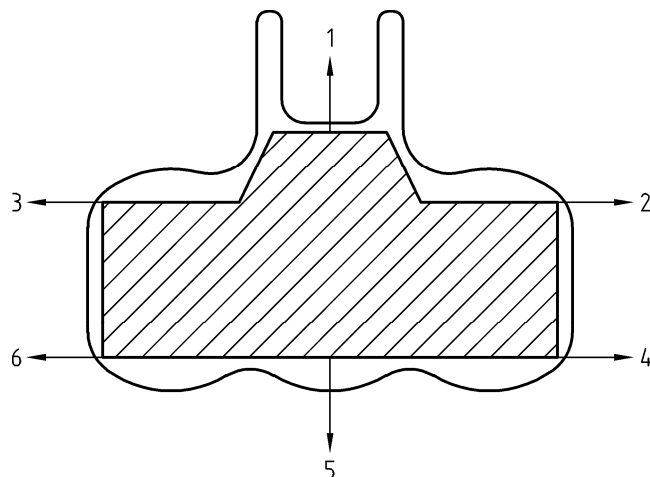


Figure 1 — Location of the zone of protection of trunk protectors

- b). Replace the second line under "Wearer's height" in Table 1 with "1 340 to 1 520". (This modification only applies to the English language version of EN 13277-3:2000.) Replace "from" in the fourth and fifth rows of the first column with ">" as in the German version, as otherwise "1520" and "1700" would be doubled. (This modification applies to the English version of EN 13277-3:2000.) Replace "de" in the first column with ">" (three times) for the same reason. (This modification applies to the French version of EN 13277-3:2000.)

3 Modification to 5.3

Delete the drawing in Figure 2 and substitute with the following:

**Key**

1 to 6 directions and order of the tests

Figure 2 — Restraint test of trunk protectors

4 Modification to Annex ZA

In the table in Annex ZA, all references to Clause 4.6 shall be deleted.

STANDARD PREVIEW
(standards.iteh.ai)
SIST EN 13277-3:2001/A1:2007
<https://standards.iteh.ai/catalog/standards/sist/1272052e-65b8-4586-aeb6-56746f6b65ee/sist-en-13277-3-2001-a1-2007>