

SLOVENSKI STANDARD
SIST EN 2997-004:2009

01-april-2009

BUXca Yý U
SIST EN 2997-4:2001

5 YfcbUj h_U! ?cbY_lcf jZY_Y_hf] b]žc_fc[`]ždf]_`1 Yb]`n`bUj c`b]a `cVfc _ca ž
cXdcfb]`U]`bYcXdcfb]`dfc]`c[b`1 žg`ghUbc`XYcj bc`hYa dYfUi fc`a YX`E*) `š7 `]b`%+)
š7 žghUbc`&\$ \$ š7 žbUj jý`c`&* \$ š7 `!\$\$ ("XY.`Df]fX]Hj `n`nU_`Ydca `a UjW!
GHbXUX`nUdfc]nj cX

Aerospace series - Connectors, electrical, circular, coupled by threaded ring, fire-resistant or non fire-resistant, operating temperatures - 65 °C to 175 °C continuous, 200 °C continuous, 260 °C peak - Part 004: Jam-nut mounted receptacle - Product standard

(standards.iteh.ai)

Luft- und Raumfahrt - Elektrische Rundsteckverbinder mit Schraubkupplung, feuerbeständig oder nicht feuerbeständig, Betriebstemperaturen - 65 °C bis 175 °C konstant, 200 °C konstant, 260 °C Spitze - Teil 004: Fester Steckverbinder mit Mutterbefestigung - Produktnorm

Série aérospatiale - Connecteurs électriques circulaires à accouplement par bague fileté, résistant au feu ou non, températures d'utilisation - 65 °C à 175 °C continu, 200 °C continu, 260 °C en pointe - Partie 004 : Embase à fixation par écrou - Norme de produit

Ta slovenski standard je istoveten z: EN 2997-004:2006

ICS:

49.060 Š`c` \`æ` Á`^`[`|b` \`æ Aerospace electric
^`|` \`dã` }`æ`]`!`^`{` æ` Á`ã` c`{` ã equipment and systems

SIST EN 2997-004:2009 en,de

iTeh STANDARD PREVIEW
(standards.iteh.ai)

SIST EN 2997-004:2009

<https://standards.iteh.ai/catalog/standards/sist/72e1b041-62c0-43ab-b242-e4e48080d539/sist-en-2997-004-2009>

EUROPEAN STANDARD

EN 2997-004

NORME EUROPÉENNE

EUROPÄISCHE NORM

October 2006

ICS 49.060

Supersedes EN 2997-4:1997

English Version

Aerospace series - Connectors, electrical, circular, coupled by threaded ring, fire-resistant or non fire-resistant, operating temperatures - 65 °C to 175 °C continuous, 200 °C continuous, 260 °C peak - Part 004: Jam-nut mounted receptacle - Product standard

Série aérospatiale - Connecteurs électriques circulaires à accouplement par bague fileté, résistant au feu ou non, températures d'utilisation - 65 °C à 175 °C continu, 200 °C continu, 260 °C en pointe - Partie 004 : Embase à fixation par écrou - Norme de produit

Luft- und Raumfahrt - Elektrische Rundsteckverbinder mit Schraubkupplung, feuerbeständig oder nicht feuerbeständig, Betriebstemperaturen - 65 °C bis 175 °C konstant, 200 °C konstant, 260 °C Spitze - Teil 004: Fester Steckverbinder mit Mutterbefestigung - Produktnorm

This European Standard was approved by CEN on 24 June 2006.

CEN members are bound to comply with the CEN/CENELEC Internal Regulations which stipulate the conditions for giving this European Standard the status of a national standard without any alteration. Up-to-date lists and bibliographical references concerning such national standards may be obtained on application to the Central Secretariat or to any CEN member.

This European Standard exists in three official versions (English, French, German). A version in any other language made by translation under the responsibility of a CEN member into its own language and notified to the Central Secretariat has the same status as the official versions.

CEN members are the national standards bodies of Austria, Belgium, Cyprus, Czech Republic, Denmark, Estonia, Finland, France, Germany, Greece, Hungary, Iceland, Ireland, Italy, Latvia, Lithuania, Luxembourg, Malta, Netherlands, Norway, Poland, Portugal, Romania, Slovakia, Slovenia, Spain, Sweden, Switzerland and United Kingdom.



EUROPEAN COMMITTEE FOR STANDARDIZATION
COMITÉ EUROPÉEN DE NORMALISATION
EUROPÄISCHES KOMITEE FÜR NORMUNG

Management Centre: rue de Stassart, 36 B-1050 Brussels

Contents

Page

Foreword.....	3
1 Scope	4
2 Normative references	4
3 Terms and definitions	4
4 Required characteristics	5
5 Designation	9
6 Marking	10
7 Technical specification	10

iTeh STANDARD PREVIEW
(standards.iteh.ai)

[SIST EN 2997-004:2009](https://standards.iteh.ai/catalog/standards/sist/72e1b041-62c0-43ab-b242-e4e48080d539/sist-en-2997-004-2009)

<https://standards.iteh.ai/catalog/standards/sist/72e1b041-62c0-43ab-b242-e4e48080d539/sist-en-2997-004-2009>

Foreword

This document (EN 2997-004:2006) has been prepared by the Aerospace and Defence Industries Association of Europe - Standardization (ASD-STAN).

After enquiries and votes carried out in accordance with the rules of this Association, this Standard has received the approval of the National Associations and the Official Services of the member countries of ASD, prior to its presentation to CEN.

This European Standard shall be given the status of a national standard, either by publication of an identical text or by endorsement, at the latest by April 2007, and conflicting national standards shall be withdrawn at the latest by April 2007.

Attention is drawn to the possibility that some of the elements of this document may be the subject of patent rights. CEN [and/or CENELEC] shall not be held responsible for identifying any or all such patent rights.

This document supersedes EN 2997-4:1997.

According to the CEN/CENELEC Internal Regulations, the national standards organizations of the following countries are bound to implement this European Standard: Austria, Belgium, Cyprus, Czech Republic, Denmark, Estonia, Finland, France, Germany, Greece, Hungary, Iceland, Ireland, Italy, Latvia, Lithuania, Luxembourg, Malta, Netherlands, Norway, Poland, Portugal, Romania, Slovakia, Slovenia, Spain, Sweden, Switzerland and the United Kingdom.

[SIST EN 2997-004:2009](https://standards.iteh.ai/catalog/standards/sist/72e1b041-62c0-43ab-b242-e4e48080d539/sist-en-2997-004-2009)

<https://standards.iteh.ai/catalog/standards/sist/72e1b041-62c0-43ab-b242-e4e48080d539/sist-en-2997-004-2009>

EN 2997-004:2006 (E)**1 Scope**

This standard specifies the characteristics of jam-nut mounted receptacles in the family of circular electrical connectors coupled by threaded ring.

It applies to the class defined in Table 4.

For contacts, filler plugs and rear accessories associated with this receptacle, see EN 2997-002. For plugs and protective covers, see EN 2997-008 and EN 2997-009 respectively. For spare jam-nuts and o-rings, see EN 2997-012 and EN 2997-013 respectively.

2 Normative references

The following referenced documents are indispensable for the application of this document. For dated references, only the edition cited applies. For undated references, the latest edition of the referenced document (including any amendments) applies.

ISO 263, *ISO Inch screw threads — General plan and selection for screws, bolts and nuts — Diameter range 0,06 to 6 in.*

EN 2997-001, *Aerospace series — Connectors, electrical, circular, coupled by threaded ring, fire-resistant or non fire-resistant, operating temperatures – 65 °C to 175 °C continuous, 200 °C continuous, 260 °C peak — Part 001: Technical specification.*

EN 2997-002, *Aerospace series — Connectors, electrical, circular, coupled by threaded ring, fire-resistant or non fire-resistant, operating temperatures – 65 °C to 175 °C continuous, 200 °C continuous, 260 °C peak — Part 002: Specification of performance and contact arrangements.*

EN 2997-008, *Aerospace series — Connectors, electrical, circular, coupled by threaded ring, fire-resistant or non fire-resistant, operating temperatures – 65 °C to 175 °C continuous, 200 °C continuous, 260 °C peak — Part 008: Plug — Product standard.*

EN 2997-009, *Aerospace series — Connectors, electrical, circular, coupled by threaded ring, fire-resistant or non fire-resistant, operating temperatures – 65 °C to 175 °C continuous, 200 °C continuous, 260 °C peak — Part 009: Protective cover for receptacle — Product standard.*

EN 2997-012, *Aerospace series — Connectors, electrical, circular, coupled by threaded ring, fire-resistant or non fire-resistant, operating temperatures – 65 °C to 175 °C continuous, 200 °C continuous, 260 °C peak — Part 012: Nut — Product standard.*¹⁾

EN 2997-013, *Aerospace series — Connectors, electrical, circular, coupled by threaded ring, fire-resistant or non fire-resistant, operating temperatures – 65 °C to 175 °C continuous, 200 °C continuous, 260 °C peak — Part 013: O-ring seal — Product standard.*¹⁾

EN 3155-002, *Aerospace series — Electrical contacts used in elements of connection — Part 002: List and utilization of contacts.*

3 Terms and definitions

For the purposes of this standard, the terms and definitions given in EN 2997-001 apply.

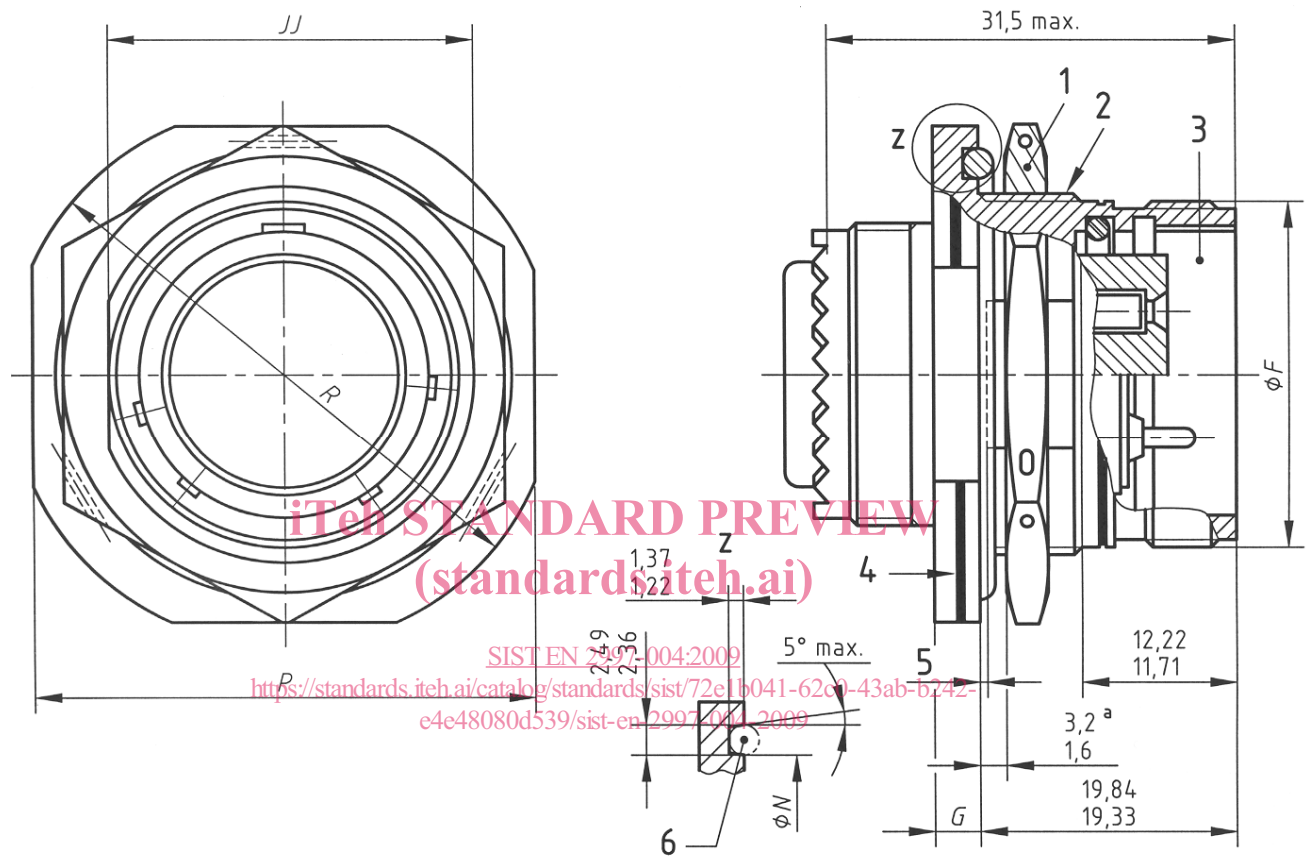
1) In preparation at the date of publication of this standard.

4 Required characteristics

4.1 Dimensions and mass

See Figure 1 and Table 1.

Dimensions are in millimetres; they apply after surface treatment.



Key

- 1 See EN 2997-012.
- 2 Thread K
- 3 See EN 2997-001.
- 4 Blue colour band minimum width 0,64
- 5 End of flat 0,13 max.
- 6 See EN 2997-013.

Figure 1

EN 2997-004:2006 (E)

Table 1

Housing size	F max.	G	K Thread class 2A ^a	N	P	R	JJ	Mass ^b g max.	
								Stainless steel	Aluminium alloy
08	14,27	3,48 2,46	0,6250-25UN	17,02 16,92	24,89 24,10	27,38 26,59	15,14 14,99	32	15
10	17,67	3,48 2,46	0,7500-20UNEF	20,22 20,12	28,04 27,25	30,28 29,49	18,31 18,16	41	21
12	22,22	3,48 2,46	0,9375-20UNEF	24,99 24,89	32,79 32,00	35,05 34,26	23,06 22,91	58	30
14	23,77	3,48 2,46	1,0000-20UNEF	26,57 26,47	35,33 34,54	38,51 37,72	24,66 24,51	68	35
16	26,97	3,48 2,46	1,1250-18UNEF	29,74 29,64	38,51 37,72	41,68 40,89	27,84 27,69	82	46
18	30,15	3,48 2,46	1,2500-18UNEF	32,92 32,82	41,68 40,89	44,86 44,07	30,99 30,84	88	51
20	33,32	3,48 2,46	1,3750-18UNEF	37,64 37,54	44,86 44,07	49,63 48,84	34,16 34,01	100	56
22	36,49	3,76 3,25	1,5000-18UNEF	40,87 40,77	49,63 48,84	52,78 51,99	37,34 37,19	123	69
24	39,67	3,76 3,25	1,6250-18UNEF	43,99 43,89	52,81 52,02	55,42 54,66	40,51 40,36	137	82
28	46,02	3,76 3,25	1,8750-16UNS	50,39 50,29	59,21 58,42	61,82 61,04	46,78 46,63	191	120

^a ISO 263

^b Mass without accessory and without contact

4.2 Tightening torque of attachment nut

For recommended service use, torque settings to be in accordance with Table 2.

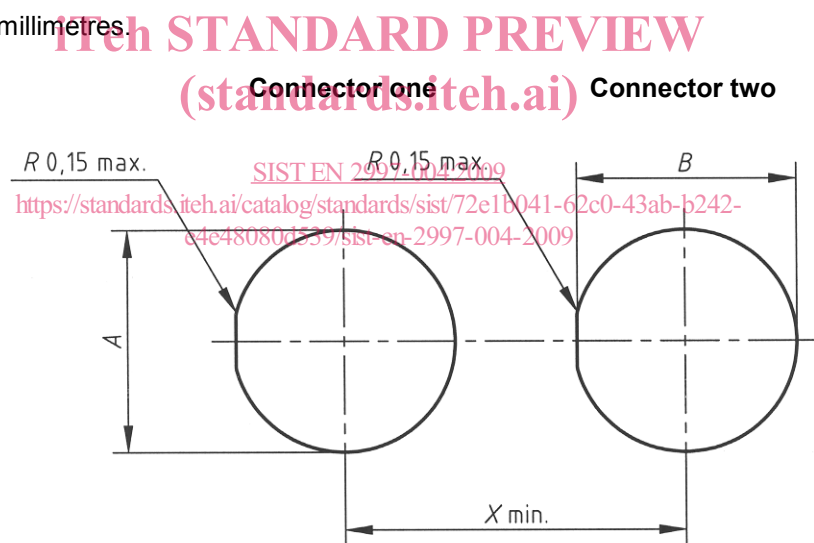
Table 2

Housing size	Torque in N.m \pm 10 %
08	7
10	10
12	12
14	15
16	18
18	22
20	25
22	27
24	29
28	30

4.3 Panel cut-out

See Figure 2 and Table 3.

Dimensions are in millimetres.



X min. value is calculated as follows: $D/2$ connector one + $D/2$ connector two. (See Table 3 for value D)

Figure 2