



SLOVENSKI STANDARD
SIST EN 2997-009:2009
01-marec-2009

BUXca Yý U
SIST EN 2997-9:2001

5 YfcbUj h_U! ?cbY_lcf jZY_Y_hf] b]žc_fc[`]ždf]_`4 Yb]`n`bUj c`b]a `cVfc _ca ž
cXdcfb]`U]`bYcXdcfb]`dfc]`c[b`1 žg`ghUbc`XYcj bc`hYa dYfUi fc`a YX`E*) `š7 `]b`%+)
š7 žghUbc`&\$š7 žbUj] j`y`c`&* \$`š7 `!\$\$- "XY.`NUy]]bU`_udU!`GHUbXUF`X`nUdfc]nj cX

Aerospace series - Connectors, electrical, circular, coupled by threaded ring, fire-resistant or non fire-resistant, operating temperatures - 65 °C to 175 °C continuous, 200 °C continuous, 260 °C peak - Part 009: Protective cover for receptacle - Product standard

iteh STANDARD PREVIEW
(standards.iteh.ai)

Luft- und Raumfahrt - Elektrische Rundsteckverbinder mit Schraubkupplung, feuerbeständig oder nicht feuerbeständig, Betriebstemperaturen - 65 °C bis 175 °C konstant, 200 °C konstant, 260 °C Spitze - Teil 009: Schutzkappe für festen Steckverbinder – Produktnorm

Série aérospatiale - Connecteurs électriques circulaires à accouplement par bague fileté, résistant au feu ou non, températures d'utilisation - 65 °C à 175 °C continu, 200 °C continu, 260 °C en pointe - Partie 009 : Bouchon de vol pour embase - Norme de produit

Ta slovenski standard je istoveten z: EN 2997-009:2006

ICS:

49.060 Š^cp \ æš Ā^• [|b \ æ Aerospace electric
^|\ dã } æ] !^ { æš Ā ã c { ã equipment and systems

SIST EN 2997-009:2009 en,de

iTeh STANDARD PREVIEW
(standards.iteh.ai)

SIST EN 2997-009:2009

<https://standards.iteh.ai/catalog/standards/sist/559de93e-9fed-43cd-a4d1-c7af825d1830/sist-en-2997-009-2009>

EUROPEAN STANDARD

EN 2997-009

NORME EUROPÉENNE

EUROPÄISCHE NORM

October 2006

ICS 49.060

Supersedes EN 2997-9:1997

English Version

Aerospace series - Connectors, electrical, circular, coupled by threaded ring, fire-resistant or non fire-resistant, operating temperatures - 65 °C to 175 °C continuous, 200 °C continuous, 260 °C peak - Part 009: Protective cover for receptacle - Product standard

Série aérospatiale - Connecteurs électriques circulaires à accouplement par bague fileté, résistant au feu ou non, températures d'utilisation - 65 °C à 175 °C continu, 200 °C continu, 260 °C en pointe - Partie 009 : Bouchon de vol pour embase - Norme de produit

Luft- und Raumfahrt - Elektrische Rundsteckverbinder mit Schraubkupplung, feuerbeständig oder nicht feuerbeständig, Betriebstemperaturen - 65 °C bis 175 °C konstant, 200 °C konstant, 260 °C Spitze - Teil 009: Schutzkappe für festen Steckverbinder - Produktnorm

This European Standard was approved by CEN on 24 June 2006.

CEN members are bound to comply with the CEN/CENELEC Internal Regulations which stipulate the conditions for giving this European Standard the status of a national standard without any alteration. Up-to-date lists and bibliographical references concerning such national standards may be obtained on application to the Central Secretariat or to any CEN member.

This European Standard exists in three official versions (English, French, German). A version in any other language made by translation under the responsibility of a CEN member into its own language and notified to the Central Secretariat has the same status as the official versions.

CEN members are the national standards bodies of Austria, Belgium, Cyprus, Czech Republic, Denmark, Estonia, Finland, France, Germany, Greece, Hungary, Iceland, Ireland, Italy, Latvia, Lithuania, Luxembourg, Malta, Netherlands, Norway, Poland, Portugal, Romania, Slovakia, Slovenia, Spain, Sweden, Switzerland and United Kingdom.



EUROPEAN COMMITTEE FOR STANDARDIZATION
COMITÉ EUROPÉEN DE NORMALISATION
EUROPÄISCHES KOMITEE FÜR NORMUNG

Management Centre: rue de Stassart, 36 B-1050 Brussels

Contents

Page

Foreword.....	3
1 Scope	4
2 Normative references	4
3 Terms and definitions	4
4 Required characteristics	5
5 Designation	7
6 Marking	7
7 Technical specification	7

iTeh STANDARD PREVIEW
(standards.iteh.ai)

[SIST EN 2997-009:2009](https://standards.iteh.ai/catalog/standards/sist/559de93e-9fed-43cd-a4d1-c7af825d1830/sist-en-2997-009-2009)

<https://standards.iteh.ai/catalog/standards/sist/559de93e-9fed-43cd-a4d1-c7af825d1830/sist-en-2997-009-2009>

Foreword

This document (EN 2997-009:2006) has been prepared by the Aerospace and Defence Industries Association of Europe - Standardization (ASD-STAN).

After enquiries and votes carried out in accordance with the rules of this Association, this Standard has received the approval of the National Associations and the Official Services of the member countries of ASD, prior to its presentation to CEN.

This European Standard shall be given the status of a national standard, either by publication of an identical text or by endorsement, at the latest by April 2007, and conflicting national standards shall be withdrawn at the latest by April 2007.

Attention is drawn to the possibility that some of the elements of this document may be the subject of patent rights. CEN [and/or CENELEC] shall not be held responsible for identifying any or all such patent rights.

This document supersedes EN 2997-9:1997.

According to the CEN/CENELEC Internal Regulations, the national standards organizations of the following countries are bound to implement this European Standard: Austria, Belgium, Cyprus, Czech Republic, Denmark, Estonia, Finland, France, Germany, Greece, Hungary, Iceland, Ireland, Italy, Latvia, Lithuania, Luxembourg, Malta, Netherlands, Norway, Poland, Portugal, Romania, Slovakia, Slovenia, Spain, Sweden, Switzerland and the United Kingdom.

[SIST EN 2997-009:2009](https://standards.iteh.ai/catalog/standards/sist/559de93e-9fed-43cd-a4d1-c7af825d1830/sist-en-2997-009-2009)

<https://standards.iteh.ai/catalog/standards/sist/559de93e-9fed-43cd-a4d1-c7af825d1830/sist-en-2997-009-2009>

EN 2997-009:2006 (E)

1 Scope

This standard specifies the characteristics of protective covers for receptacles in the family of circular electrical connectors coupled by threaded ring.

It applies to the class defined in Table 2.

For receptacles associated with these protective covers, see EN 2997-003 to EN 2997-007.

2 Normative references

The following referenced documents are indispensable for the application of this document. For dated references, only the edition cited applies. For undated references, the latest edition of the referenced document (including any amendments) applies.

ISO 263, *ISO Inch screw threads — General plan and selection for screws, bolts and nuts — Diameter range 0,06 to 6 in.*

EN 2997-001, *Aerospace series — Connectors, electrical, circular, coupled by threaded ring, fire-resistant or non fire-resistant, operating temperatures – 65 °C to 175 °C continuous, 200 °C continuous, 260 °C peak — Part 001: Technical specification.*

EN 2997-002, *Aerospace series — Connectors, electrical, circular, coupled by threaded ring, fire-resistant or non fire-resistant, operating temperatures – 65 °C to 175 °C continuous, 200 °C continuous, 260 °C peak — Part 002: Specification of performance and contact arrangements.*

EN 2997-003, *Aerospace series — Connectors, electrical, circular, coupled by threaded ring, fire-resistant or non fire-resistant, operating temperatures – 65 °C to 175 °C continuous, 200 °C continuous, 260 °C peak — Part 003: Square flange receptacle — Product standard.*

EN 2997-004, *Aerospace series — Connectors, electrical, circular, coupled by threaded ring, fire-resistant or non fire-resistant, operating temperatures – 65 °C to 175 °C continuous, 200 °C continuous, 260 °C peak — Part 004: Jam-nut mounted receptacle — Product standard.*

EN 2997-005, *Aerospace series — Connectors, electrical, circular, coupled by threaded ring, fire-resistant or non fire-resistant, operating temperatures – 65 °C to 175 °C continuous, 200 °C continuous, 260 °C peak — Part 005: Hermetic square flange receptacle — Product standard.*

EN 2997-006, *Aerospace series — Connectors, electrical, circular, coupled by threaded ring, fire-resistant or non fire-resistant, operating temperatures – 65 °C to 175 °C continuous, 200 °C continuous, 260 °C peak — Part 006: Hermetic jam-nut mounted receptacle — Product standard.*

EN 2997-007, *Aerospace series — Connectors, electrical, circular, coupled by threaded ring, fire-resistant or non fire-resistant, operating temperatures – 65 °C to 175 °C continuous, 200 °C continuous, 260 °C peak — Part 007: Hermetic receptacle with round flange attached by welding or brazing — Product standard.*

3 Terms and definitions

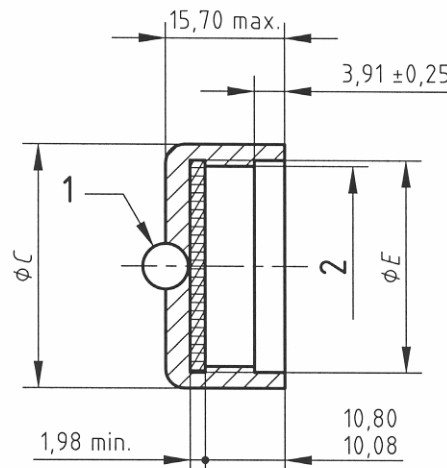
For the purposes of this standard, the terms and definitions given in EN 2997-001 apply.

4 Required characteristics

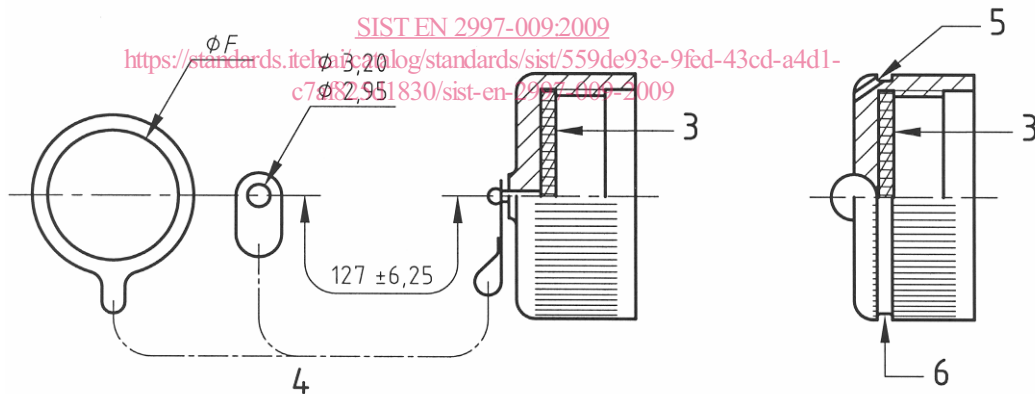
4.1 Dimensions and mass

See Figure 1 and Table 1.

Dimensions and tolerances are in millimetres; they apply after surface treatment.



iTeh STANDARD PREVIEW
(standards.iteh.ai)



Key

- 1 Attachment of chain or cable
- 2 Thread
- 3 Seal
- 4 Chain or cord
- 5 3 holes \varnothing 0,95 min. at 120°
- 6 Optional groove

Figure 1

Table 1

Housing size	Thread class 2B ^a	Ø C max.	Ø E minimum bore	Ø F eyelet inner	Mass g max.	
					Stainless steel	Aluminium alloy
08	0,5625-24UNEF	19,71	14,61	15,10	26,2	9,5
10	0,6875-24UNEF	23,01	17,96	16,10	33,6	12,1
12	0,8750-20UNEF	27,38	22,73	19,40	43,5	15,6
14	0,9375-20UNEF	28,98	24,31	22,60	47,8	17,1
16	1,0625-18UNEF	32,16	27,53	25,80	56,8	20,4
18	1,0625-18UNEF	34,93	30,71	27,80	62,9	22,6
20	1,3125-18UNEF	38,35	33,88	30,60	75,5	27,1
22	1,4375-18UNEF	41,29	37,06	34,10	84,0	30,1
24	1,5625-18UNEF	44,70	40,23	36,90	97,7	35,1
28	1,8125-16UNS	50,80	46,58	44,60	120,2	43,1

^a ISO 263

iTeh STANDARD PREVIEW

4.2 Material, surface treatment (standards.iteh.ai)

See Table 2.

[SIST EN 2997-009:2009](https://standards.iteh.ai/catalog/standards/sist/559de93e-9fed-43cd-a4d1-c7af825d1830/sist-en-2997-009-2009)**4.3 Main general characteristics**<https://standards.iteh.ai/catalog/standards/sist/559de93e-9fed-43cd-a4d1-c7af825d1830/sist-en-2997-009-2009>

See EN 2997-002.

4.4 Possible combinations of protective covers and connectors

See EN 2997-002.