

SLOVENSKI STANDARD
SIST EN 2997-011:2009

01-april-2009

BUXca Yý U
SIST EN 2997-11:2001

5 YfcbUj h_U! ? cbY hcf jZY_Y hf] b]žc_fc[`]ždf] `4 Yb]n'bUj c'ba `cVfc _ca ž
 cXdcfb]U]bYcXdcfb]dfch]c[b1 žg'ghUbc'XYcj bc'hYa dYfUi fc'a YX'Ě*) `š7 `]b`%+)
 š7 žghUbc`&\$ \$š žbUj jýc`& \$ š7 `!\$%&'XY. `G`YdUXcnU!`GhUbxUfX'nUdfc]nj cX

Aerospace series - Connectors, electrical, circular, coupled by threaded ring, fire-resistant or non fire-resistant, operating temperatures - 65 °C to 175 °C continuous, 200 °C continuous, 260 °C peak - Part 011: Dummy receptacle - Product standard

Luft- und Raumfahrt - Elektrische Rundsteckverbinder mit Schraubkupplung, feuerbeständig oder nicht feuerbeständig, Betriebstemperaturen - 65 °C bis 175 °C konstant, 200 °C konstant, 260 °C Spitze - Teil 011: Blinddose - Produktnorm

Série aérospatiale - Connecteurs électriques circulaires à accouplement par bague filetée, résistant au feu ou non, températures d'utilisation - 65 °C à 175 °C continu, 200 °C continu, 260 °C en pointe - Partie 011 : Embase de repos - Norme de produit

Ta slovenski standard je istoveten z: EN 2997-011:2006

ICS:

49.060 Š^cp \ aš Ā^• [|b \ æ Aerospace electric
 ^|\ dā } aš] !^ { aš Ā ã c { ã equipment and systems

SIST EN 2997-011:2009 en,de

iTeh STANDARD PREVIEW
(standards.iteh.ai)

SIST EN 2997-011:2009

<https://standards.iteh.ai/catalog/standards/sist/e642509f-c13f-4ca9-abee-cb770ee40717/sist-en-2997-011-2009>

EUROPEAN STANDARD
NORME EUROPÉENNE
EUROPÄISCHE NORM

EN 2997-011

October 2006

ICS 49.060

Supersedes EN 2997-11:1997

English Version

Aerospace series - Connectors, electrical, circular, coupled by threaded ring, fire-resistant or non fire-resistant, operating temperatures - 65 °C to 175 °C continuous, 200 °C continuous, 260 °C peak - Part 011: Dummy receptacle - Product standard

Série aérospatiale - Connecteurs électriques circulaires à accouplement par bague fileté, résistant au feu ou non, températures d'utilisation - 65 °C à 175 °C continu, 200 °C continu, 260 °C en pointe - Partie 011 : Embase de repos - Norme de produit

Luft- und Raumfahrt - Elektrische Rundsteckverbinder mit Schraubkupplung, feuerbeständig oder nicht feuerbeständig, Betriebstemperaturen - 65 °C bis 175 °C konstant, 200 °C konstant, 260 °C Spitze - Teil 011: Blinddose - Produktnorm

This European Standard was approved by CEN on 24 June 2006.

CEN members are bound to comply with the CEN/CENELEC Internal Regulations which stipulate the conditions for giving this European Standard the status of a national standard without any alteration. Up-to-date lists and bibliographical references concerning such national standards may be obtained on application to the Central Secretariat or to any CEN member.

This European Standard exists in three official versions (English, French, German). A version in any other language made by translation under the responsibility of a CEN member into its own language and notified to the Central Secretariat has the same status as the official versions.

<https://standards.iteh.ai/catalog/standards/sist/e642509f-c13f-4ca9-abee->

CEN members are the national standards bodies of Austria, Belgium, Cyprus, Czech Republic, Denmark, Estonia, Finland, France, Germany, Greece, Hungary, Iceland, Ireland, Italy, Latvia, Lithuania, Luxembourg, Malta, Netherlands, Norway, Poland, Portugal, Romania, Slovakia, Slovenia, Spain, Sweden, Switzerland and United Kingdom.



EUROPEAN COMMITTEE FOR STANDARDIZATION
COMITÉ EUROPÉEN DE NORMALISATION
EUROPÄISCHES KOMITEE FÜR NORMUNG

Management Centre: rue de Stassart, 36 B-1050 Brussels

Contents

Page

Foreword.....	3
1 Scope	4
2 Normative references	4
3 Terms and definitions	4
4 Required characteristics	4
5 Designation	8
6 Marking	8
7 Technical specification	8

iTeh STANDARD PREVIEW
(standards.iteh.ai)

[SIST EN 2997-011:2009](https://standards.iteh.ai/catalog/standards/sist/e642509f-c13f-4ca9-abee-cb770ee40717/sist-en-2997-011-2009)

<https://standards.iteh.ai/catalog/standards/sist/e642509f-c13f-4ca9-abee-cb770ee40717/sist-en-2997-011-2009>

Foreword

This document (EN 2997-011:2006) has been prepared by the Aerospace and Defence Industries Association of Europe - Standardization (ASD-STAN).

After enquiries and votes carried out in accordance with the rules of this Association, this Standard has received the approval of the National Associations and the Official Services of the member countries of ASD, prior to its presentation to CEN.

This European Standard shall be given the status of a national standard, either by publication of an identical text or by endorsement, at the latest by April 2007, and conflicting national standards shall be withdrawn at the latest by April 2007.

Attention is drawn to the possibility that some of the elements of this document may be the subject of patent rights. CEN [and/or CENELEC] shall not be held responsible for identifying any or all such patent rights.

This document supersedes EN 2997-11:1997.

According to the CEN/CENELEC Internal Regulations, the national standards organizations of the following countries are bound to implement this European Standard: Austria, Belgium, Cyprus, Czech Republic, Denmark, Estonia, Finland, France, Germany, Greece, Hungary, Iceland, Ireland, Italy, Latvia, Lithuania, Luxembourg, Malta, Netherlands, Norway, Poland, Portugal, Romania, Slovakia, Slovenia, Spain, Sweden, Switzerland and the United Kingdom.

[SIST EN 2997-011:2009](https://standards.iteh.ai/catalog/standards/sist/e642509f-c13f-4ca9-abee-cb770ee40717/sist-en-2997-011-2009)

<https://standards.iteh.ai/catalog/standards/sist/e642509f-c13f-4ca9-abee-cb770ee40717/sist-en-2997-011-2009>

EN 2997-011:2006 (E)

1 Scope

This standard specifies the characteristics of dummy receptacles in the family of circular electrical connectors coupled by threaded ring.

It applies to the class defined in Table 3.

For plugs associated with these dummy receptacles, see EN 2997-008.

2 Normative references

The following referenced documents are indispensable for the application of this document. For dated references, only the edition cited applies. For undated references, the latest edition of the referenced document (including any amendments) applies.

ISO 263, *ISO Inch screw threads — General plan and selection for screws, bolts and nuts — Diameter range 0,06 to 6 in.*

EN 2997-001, *Aerospace series — Connectors, electrical, circular, coupled by threaded ring, fire-resistant or non fire-resistant, operating temperatures – 65 °C to 175 °C continuous, 200 °C continuous, 260 °C peak — Part 001: Technical specification.*

EN 2997-002, *Aerospace series — Connectors, electrical, circular, coupled by threaded ring, fire-resistant or non fire-resistant, operating temperatures – 65 °C to 175 °C continuous, 200 °C continuous, 260 °C peak — Part 002: Specification of performance and contact arrangements.*

EN 2997-008, *Aerospace series — Connectors, electrical, circular, coupled by threaded ring, fire-resistant or non fire-resistant, operating temperatures – 65 °C to 175 °C continuous, 200 °C continuous, 260 °C peak — Part 008: Plug — Product standard.*

3 Terms and definitions

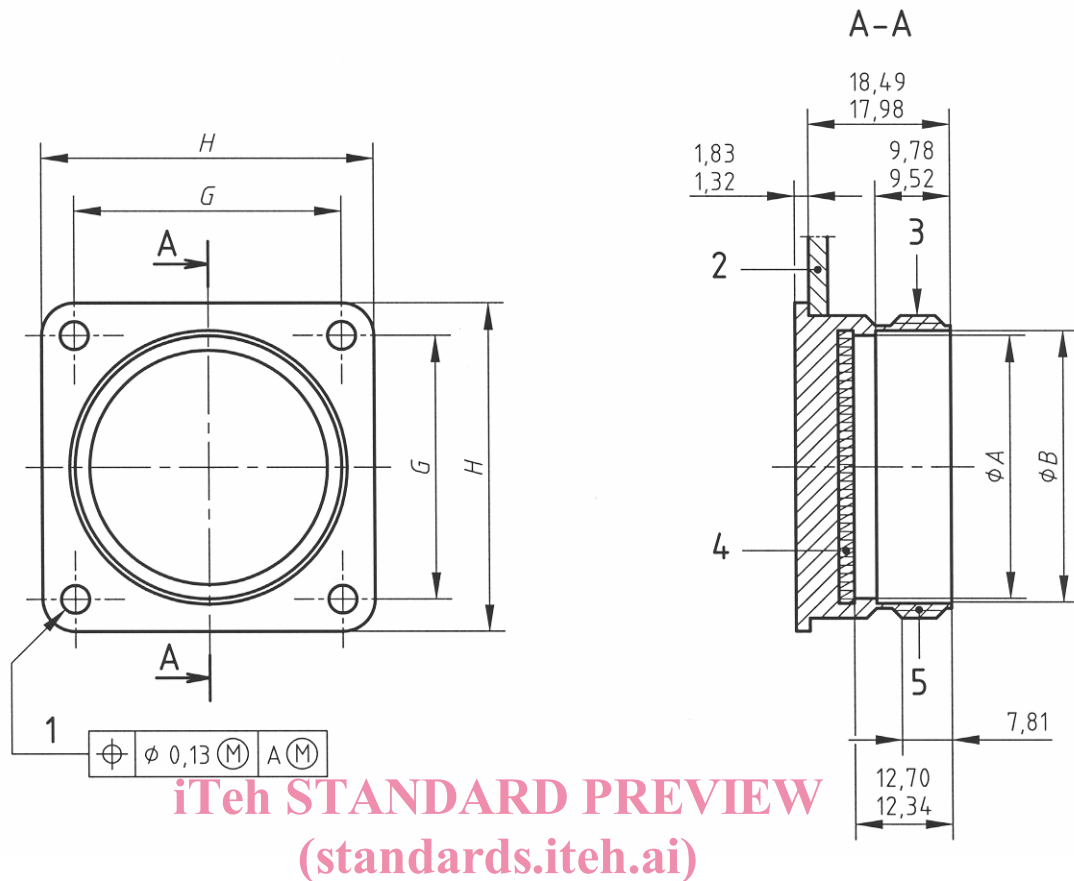
For the purposes of this standard, the terms and definitions given in EN 2997-001 apply.

4 Required characteristics

4.1 Dimensions and mass

See Figure 1 and Table 1.

Dimensions and tolerances are in millimetres; they apply after surface treatment.

**Key**

SIST EN 2997-011:2009

- 1 4 holes $\varnothing 3,30$ shell sizes 08 to 22
 $\varnothing 3,10$ <https://standards.iteh.ai/catalog/standards/sist/e642509f-c13f-4ca9-abee-cb770ee40717/sist-en-2997-011-2009>
- 4 holes $\varnothing 3,91$ shell sizes 24 to 28
 $\varnothing 3,68$
- 2 Panel, see Figure 3.
- 3 Thread
- 4 Gasket
- 5 Coupling, external part, conforms to EN 2997-001

Figure 1

Table 1

Housing size	Thread class 2A ^a	$\varnothing A$ + 0,13 0	$\varnothing B$ + 0,13 0	G	H		Mass g max.	
					max.	min.	Stainless steel	Aluminium alloy
08	0,5625-24UNEF	10,49	12,07	15,09	20,75	20,49	19,5	7,0
10	0,6875-24UNEF	13,46	14,63	18,26	23,93	23,67	27,9	10,0
12	0,8750-20UNEF	17,78	18,95	20,62	26,32	26,06	40,2	14,4
14	0,9375-20UNEF	19,53	20,70	23,01	28,71	28,45	45,0	16,1
16	1,0625-18UNEF	22,76	23,93	24,61	31,88	31,62	55,0	19,7
18	1,1875-18UNEF	25,45	26,62	26,97	34,24	33,98	67,9	24,4
20	1,3125-18UNEF	28,63	29,74	29,36	36,63	36,37	78,6	28,2
22	1,4375-18UNEF	31,80	32,94	31,75	39,80	39,54	92,9	33,3
24	1,5625-18UNEF	34,98	36,07	34,92	43,39	43,13	107,8	38,7
28	1,8125-16UN	41,32	42,49	39,67	50,93	50,67	140,4	50,4

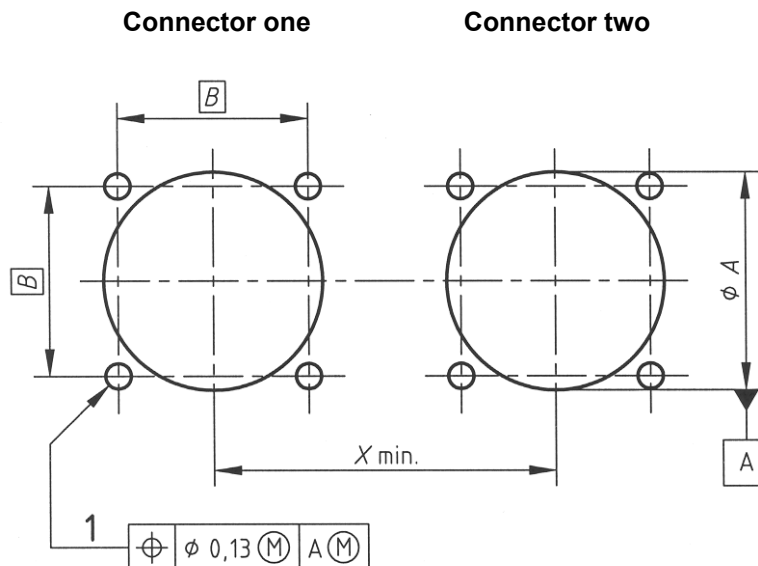
^a ISO 263.

iTeh STANDARD PREVIEW

4.2 Panel cut-out and mounting of connectors (standards.iteh.ai)

See Figure 2 and Table 2 for panel cut-out and Figure 3 for mounting of connectors.

Dimensions and tolerances are in millimetres.



Key

1 4 holes $\varnothing C$

X min. value is calculated as follows: $D/2$ connector one + $D/2$ connector two. (See Table 2 for value D)

Figure 2

Table 2

Housing size	$\varnothing A$ min.	B	C	D min.
08	15,80	15,09	3,30 3,10	31,70
10	18,70	18,26		34,90
12	23,40	20,62		39,60
14	24,90	23,01		41,25
16	28,30	24,61		44,45
18	31,10	26,97		47,35
20	34,50	29,36		51,90
22	37,50	31,75		54,10
24	40,60	34,92	3,91 3,68	57,25
28	48,00	39,67		65,25

**Key**

1 Panel

Figure 3

4.3 Material, surface treatment

See Table 3.

4.4 Main general characteristics

See EN 2997-002.

4.5 Possible combinations of dummy receptacles and connectors

See EN 2997-002.