



SLOVENSKI STANDARD SIST EN 3682-003:2009

01-julij-2009

5 YfcbUj h_U! ?cbY_lcf 1žj h_]b'j h_ b]WŁZY_f] b]ždfUj c_cfb]žnUa Yb`1j]hđžg
glc^Uca]b'd'cý cžg'ghUbc^XYcj bc^hYa dYfUi fc^Xc`% \$'š7 '!\$\$' "XY.J`cý_]!
GHUbXUfX'nUdfc]nj cX

Aerospace series - Connectors, plug and receptacle, electrical, rectangular, interchangeable insert type, rack to panel, operating temperature 150 °C continuous - Part 003: Inserts - Product standard

STANDARD PREVIEW

Luft- und Raumfahrt - Elektrischer Rechtecksteckverbinder, freie und feste Bauform, auswechselbare Isolierkörper, Gestell-Einschubsteckverbinder, Betriebstemperatur 150 °C konstant - Teil 003: Einsätze - Produktnorm

[SIST EN 3682-003:2009](https://standards.iteh.ai/catalog/standards/sist/6179f74d-0536-439c-a9e7-)

<https://standards.iteh.ai/catalog/standards/sist/6179f74d-0536-439c-a9e7->

Série aérospatiale - Connecteurs électriques rectangulaires rackables, fiches et embases, à inserts interchangeables, température d'utilisation 150 °C continu - Partie 003: Inserts - Norme de produit

Ta slovenski standard je istoveten z: EN 3682-003:2006

ICS:

49.060 Š^cp \ aš Á^• [|b \ æ Aerospace electric
^|\ dā } aš] !^ { aš Á ã c { ã equipment and systems

SIST EN 3682-003:2009

en,de

iTeh STANDARD PREVIEW
(standards.iteh.ai)

SIST EN 3682-003:2009

<https://standards.iteh.ai/catalog/standards/sist/6179f74d-0536-439c-a9e7-edd425cb064d/sist-en-3682-003-2009>

EUROPEAN STANDARD
NORME EUROPÉENNE
EUROPÄISCHE NORM

EN 3682-003

July 2006

ICS 49.060

English Version

Aerospace series - Connectors, plug and receptacle, electrical, rectangular, interchangeable insert type, rack to panel, operating temperature 150 °C continuous - Part 003: Inserts - Product standard

Série aérospatiale - Connecteurs électriques rectangulaires rackables, fiches et embases, à inserts interchangeables, température d'utilisation 150 °C continu - Partie 003 : Inserts - Norme de produit

Luft- und Raumfahrt - Elektrischer Rechtecksteckverbinder, freie und feste Bauform, auswechselbare Isolierkörper, Gestell-Einschubsteckverbinder, Betriebstemperatur 150 °C konstant - Teil 003: Einsätze - Produktnorm

This European Standard was approved by CEN on 16 March 2006.

CEN members are bound to comply with the CEN/CENELEC Internal Regulations which stipulate the conditions for giving this European Standard the status of a national standard without any alteration. Up-to-date lists and bibliographical references concerning such national standards may be obtained on application to the Central Secretariat or to any CEN member.

This European Standard exists in three official versions (English, French, German). A version in any other language made by translation under the responsibility of a CEN member into its own language and notified to the Central Secretariat has the same status as the official versions.

[SIST EN 3682-003:2009](https://standards.iteh.ai/cen/standards/sis/6179f74d-0536-439c-a9e7)

CEN members are the national standards bodies of Austria, Belgium, Cyprus, Czech Republic, Denmark, Estonia, Finland, France, Germany, Greece, Hungary, Iceland, Ireland, Italy, Latvia, Lithuania, Luxembourg, Malta, Netherlands, Norway, Poland, Portugal, Romania, Slovakia, Slovenia, Spain, Sweden, Switzerland and United Kingdom.



EUROPEAN COMMITTEE FOR STANDARDIZATION
COMITÉ EUROPÉEN DE NORMALISATION
EUROPÄISCHES KOMITEE FÜR NORMUNG

Management Centre: rue de Stassart, 36 B-1050 Brussels

Contents

Page

Foreword.....	3
1 Scope	4
2 Normative references	4
3 Terminology	4
4 Required characteristics	4
5 Designation	8
6 Marking	8
7 Technical specification	8

iTeh STANDARD PREVIEW
(standards.iteh.ai)

[SIST EN 3682-003:2009](#)

<https://standards.iteh.ai/catalog/standards/sist/6179f74d-0536-439c-a9e7-edd425cb064d/sist-en-3682-003-2009>

Foreword

This European Standard (EN 3682-003:2006) has been prepared by the AeroSpace and Defense Industries Association of Europe - Standardization (ASD-STAN).

After enquiries and votes carried out in accordance with the rules of this Association, this Standard has received the approval of the National Associations and the Official Services of the member countries of ASD, prior to its presentation to CEN.

This European Standard shall be given the status of a national standard, either by publication of an identical text or by endorsement, at the latest by January 2007, and conflicting national standards shall be withdrawn at the latest by January 2007.

Attention is drawn to the possibility that some of the elements of this document may be the subject of patent rights. CEN [and/or CENELEC] shall not be held responsible for identifying any or all such patent rights.

According to the CEN/CENELEC Internal Regulations, the national standards organizations of the following countries are bound to implement this European Standard: Austria, Belgium, Cyprus, Czech Republic, Denmark, Estonia, Finland, France, Germany, Greece, Hungary, Iceland, Ireland, Italy, Latvia, Lithuania, Luxembourg, Malta, Netherlands, Norway, Poland, Portugal, Romania, Slovakia, Slovenia, Spain, Sweden, Switzerland and the United Kingdom.

ITEH STANDARD PREVIEW
(standards.iteh.ai)

SIST EN 3682-003:2009

<https://standards.iteh.ai/catalog/standards/sist/6179f74d-0536-439c-a9e7-edd425cb064d/sist-en-3682-003-2009>

EN 3682-003:2006 (E)**1 Scope**

This standard defines the inserts used in EN 3682 connectors.

2 Normative references

The following referenced documents are indispensable for the application of this document. For dated references, only the edition cited applies. For undated references, the latest edition of the referenced document (including any amendments) applies.

EN 3682 (*series*), *Aerospace series — Connectors, plug and receptacle, electrical, rectangular, interchangeable insert type, rack to panel, operating temperature 150 °C continuous*

3 Terminology

See EN 3682-001.

4 Required characteristics**4.1 Insert interface dimensions for insert with size 22 contact cavities arrangements**

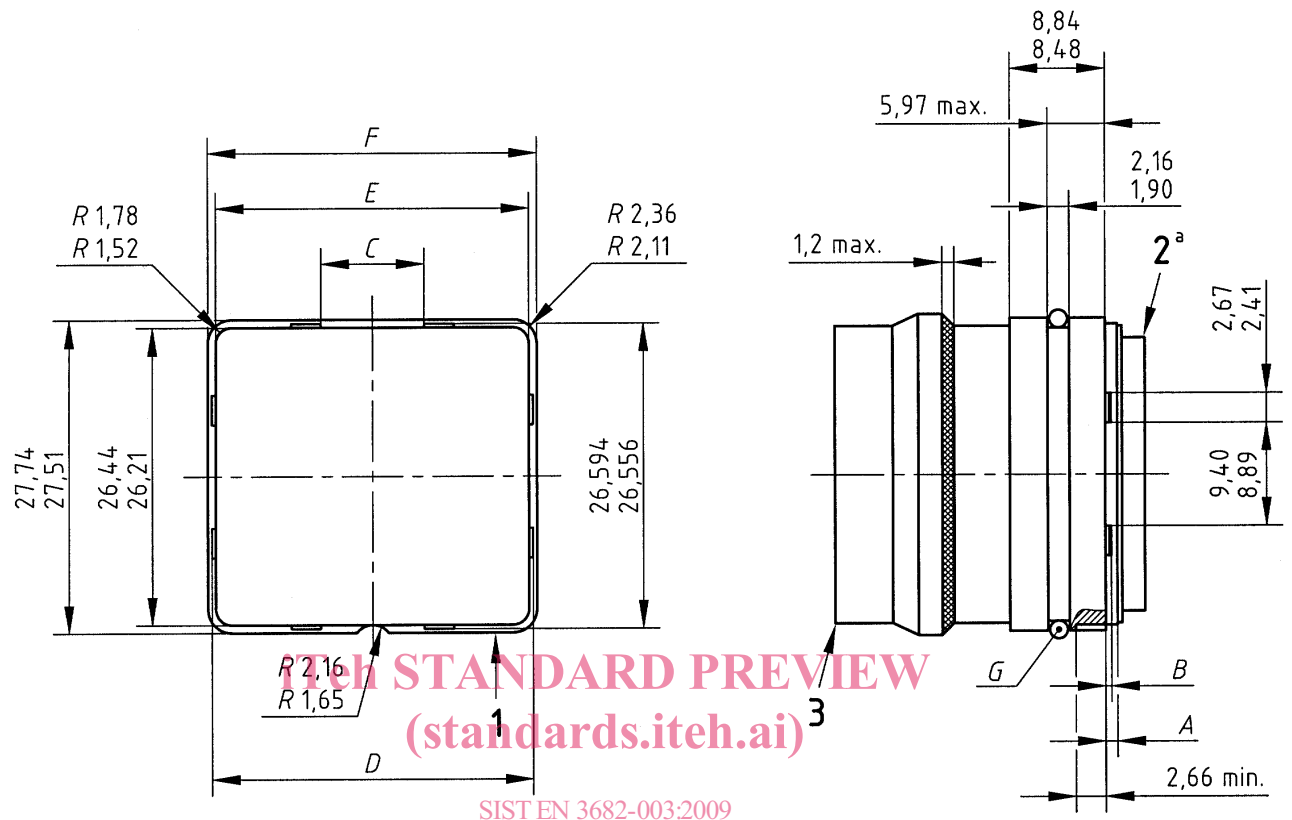
See Figure 1 and Table 1.

iTeh STANDARD PREVIEW
(standards.iteh.ai)

[SIST EN 3682-003:2009](https://standards.iteh.ai/catalog/standards/sist/6179f74d-0536-439c-a9e7-edd425cb064d/sist-en-3682-003-2009)

<https://standards.iteh.ai/catalog/standards/sist/6179f74d-0536-439c-a9e7-edd425cb064d/sist-en-3682-003-2009>

Dimensions in millimetres



SIST EN 3682-003:2009

<https://standards.itech.ai/catalog/standards/sist/6179f74d-0536-439c-a9e7-edd425cb064d/sist-en-3682-003-2009>

Key

- 1 manufacturer name and part number on this side or opposite
- 2 interfacial seal
- 3 grommet
- a Interfacial seal applies to socket insert only.

Figure 1**Table 1**

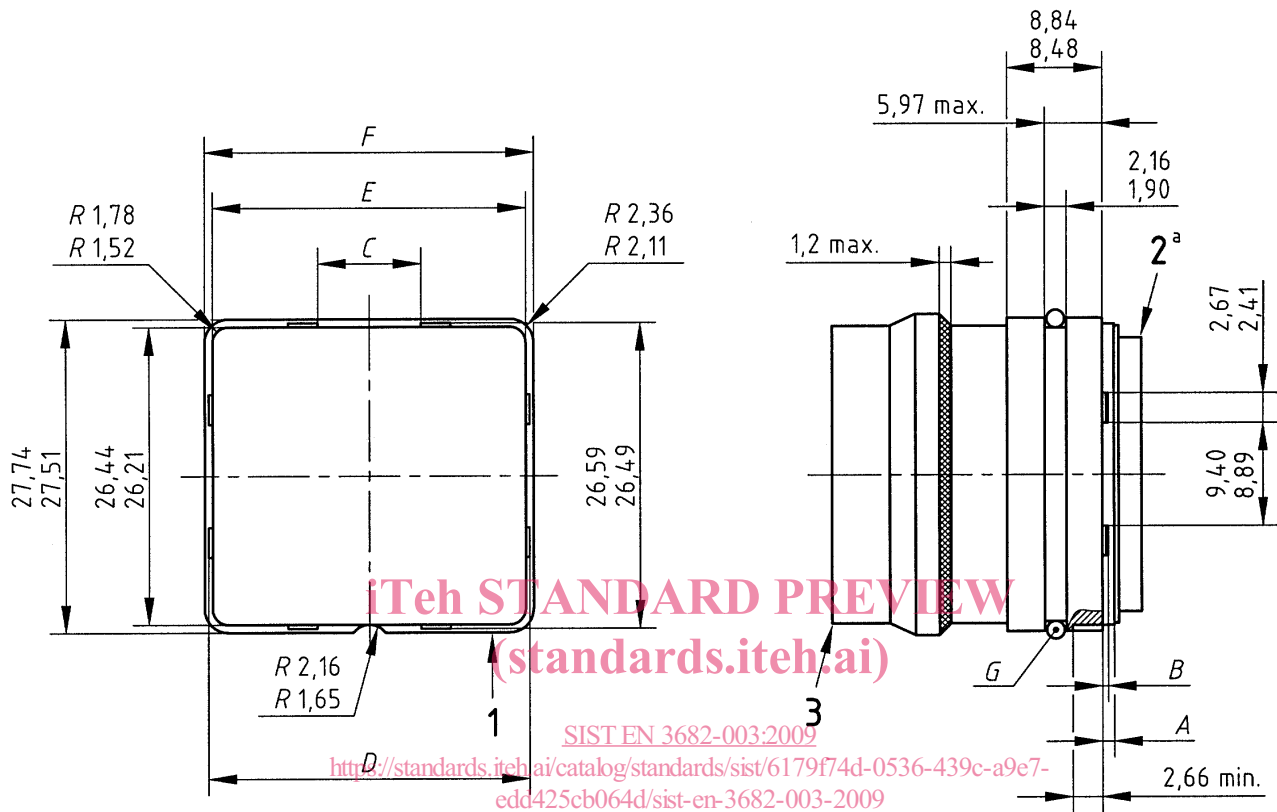
Housing	Cavity	A	B	C	D	E	F	G	
								∅ cord	∅ inside
Plug	A, C, E	13,13	12,19	22,10	39,04	38,89	40,18	1,50	35,00
		13,03	11,56						
Receptacle	A, C, E	3,55	2,67	9,40	27,864	27,71	29,01	1,50	27,81
		3,45	2,03						
Plug	B, D, F	13,13	12,19	8,89	27,826	27,48	28,78	1,50	27,81
		13,03	11,56						
Receptacle	B, D, F	3,55	2,67	8,89	27,826	27,48	28,78	1,50	27,81
		3,45	2,03						

EN 3682-003:2006 (E)

4.2 Insert interface dimensions for insert without size 22 contact cavities arrangements

See Figure 2 and Table 2.

Dimensions in millimetres



Key

- 1 manufacturer name and part number on this side or opposite
- 2 interfacial seal
- 3 grommet
- a Interfacial seal applies to pin insert only.

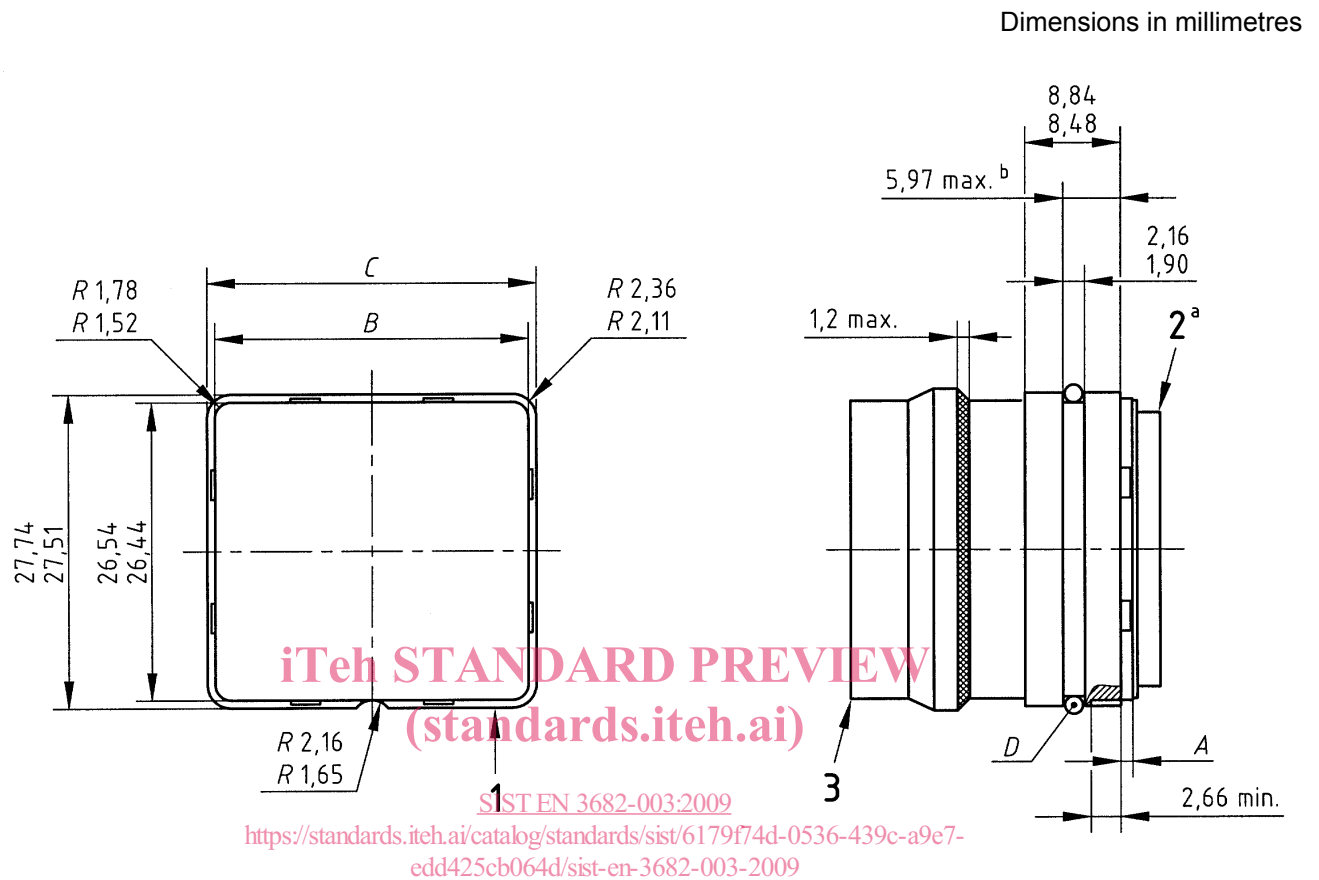
Figure 2

Table 2

Housing	Cavity	A	B	C	D	E	F	G	
								∅ cord	∅ inside
Plug	A, C, E	15,59 15,49	12,19 11,56	22,10 21,59	39,04 39,002	38,89 38,66	40,18 39,95	1,50	35,00
Receptacle	A, C, E	1,09 0,99	1,14 0,94						
Plug	B, D, F	15,59 15,49	12,19 11,56	9,40 8,89	27,86 27,76	27,71 27,48	29,01 28,78	1,50	27,81
Receptacle	B, D, F	1,09 0,99	1,14 0,94						

4.3 Dimensions of metallic inserts

See Figure 3 and Table 3.



Key

- 1 manufacturer name and part number on this side or opposite
 - 2 interfacial seal
 - 3 grommet
- a Interfacial seal applies to pin insert only.
b Geometry optional.

Figure 3

Table 3

Housing	Cavity	A	B	C	D	
					∅ cord	∅ inside
Plug	A, C, E	15,59 15,49	38,89 38,86	40,18 39,95	1,50	35,00
Receptacle	A, C, E	1,09 0,99				
Plug	B, D, F	15,59 15,49	27,81 27,68	29,01 28,78	1,50	35,00
Receptacle	B, D, F	1,09 0,99				