



SLOVENSKI STANDARD SIST EN 3682-006:2009

01-julij-2009

5 YfcbUj h_U! ?cbY_lcf 1žj h]b'j h b]WŁZY_f] b]ždfUj c_cfb]žnUa Yb`1j]h]džg
glc^Uca]b'd'cý cžg'ghUbc^XYcj bc^hYa dYfUi fc^Xc`% \$'š7 '!\$\$* "XY. Jh b]WŁž
j Y]_cgh' '!GhUbxUfX'nUdfc]nj cX

Aerospace series - Connectors, plug and receptacle, electrical, rectangular, interchangeable insert type, rack to panel, operating temperature 150 °C continuous - Part 006: Size 3 receptacle - Product standard

STANDARD PREVIEW

Luft- und Raumfahrt - Elektrischer Rechtecksteckverbinder, freie und feste Bauform, auswechselbare Isolierkörper, Gestell-Einschubsteckverbinder, Betriebstemperatur 150 ° C konstant - Teil 006: Fester Steckverbinder Größe 3 - Produktnorm

[SIST EN 3682-006:2009](https://standards.iteh.ai/catalog/standards/sist/55644882-f6fc-4ac8-894c-)

<https://standards.iteh.ai/catalog/standards/sist/55644882-f6fc-4ac8-894c->

Série aérospatiale - Connecteurs électriques rectangulaires rackables, fiches et embases, à inserts interchangeables, température d'utilisation 150 °C continu - Partie 006: Boîtier femelle taille 3 - Norme de produit

Ta slovenski standard je istoveten z: EN 3682-006:2006

ICS:

49.060 Š^cp \ æš Ą^• [|b \ æ Aerospace electric
^|\ dā } æ] !^ { æš Ą ā c { ā equipment and systems

SIST EN 3682-006:2009

en,fr,de

iTeh STANDARD PREVIEW
(standards.iteh.ai)

SIST EN 3682-006:2009

<https://standards.iteh.ai/catalog/standards/sist/55644882-f6fc-4ac8-894c-cce503b791fc/sist-en-3682-006-2009>

EUROPEAN STANDARD
NORME EUROPÉENNE
EUROPÄISCHE NORM

EN 3682-006

July 2006

ICS 49.060

English Version

**Aerospace series - Connectors, plug and receptacle, electrical,
rectangular, interchangeable insert type, rack to panel, operating
temperature 150 °C continuous - Part 006: Size 3 receptacle -
Product standard**

Série aérospatiale - Connecteurs électriques rectangulaires
rackables, fiches et embases, à inserts interchangeables,
température d'utilisation 150 °C continu - Partie 006 :
Boîtier femelle taille 3 - Norme de produit

Luft- und Raumfahrt - Elektrischer Rechtecksteckverbinder,
freie und feste Bauform, auswechselbare Isolierkörper,
Gestell-Einschubsteckverbinder, Betriebstemperatur 150 °C
konstant - Teil 006: Steckdose Größe 3 - Produktnorm

This European Standard was approved by CEN on 16 March 2006.

CEN members are bound to comply with the CEN/CENELEC Internal Regulations which stipulate the conditions for giving this European Standard the status of a national standard without any alteration. Up-to-date lists and bibliographical references concerning such national standards may be obtained on application to the Central Secretariat or to any CEN member.

This European Standard exists in three official versions (English, French, German). A version in any other language made by translation under the responsibility of a CEN member into its own language and notified to the Central Secretariat has the same status as the official versions.

[SIST EN 3682-006:2009](https://standards.iteh.ai/catalog/standards/sist/55644882-666-4a8-894c/sist-en-3682-006-2009)

CEN members are the national standards bodies of Austria, Belgium, Cyprus, Czech Republic, Denmark, Estonia, Finland, France, Germany, Greece, Hungary, Iceland, Ireland, Italy, Latvia, Lithuania, Luxembourg, Malta, Netherlands, Norway, Poland, Portugal, Romania, Slovakia, Slovenia, Spain, Sweden, Switzerland and United Kingdom.



EUROPEAN COMMITTEE FOR STANDARDIZATION
COMITÉ EUROPÉEN DE NORMALISATION
EUROPÄISCHES KOMITEE FÜR NORMUNG

Management Centre: rue de Stassart, 36 B-1050 Brussels

Contents

Page

Foreword.....	3
1 Scope	4
2 Normative references	4
3 Terminology	4
4 Required characteristics	5
5 Designation	9
6 Marking	9
7 Technical specification	9

iTeh STANDARD PREVIEW
(standards.iteh.ai)

[SIST EN 3682-006:2009](#)

<https://standards.iteh.ai/catalog/standards/sist/55644882-f6fc-4ac8-894c-cce503b791fc/sist-en-3682-006-2009>

Foreword

This European Standard (EN 3682-006:2006) has been prepared by the AeroSpace and Defense Industries Association of Europe - Standardization (ASD-STAN).

After enquiries and votes carried out in accordance with the rules of this Association, this Standard has received the approval of the National Associations and the Official Services of the member countries of ASD, prior to its presentation to CEN.

This European Standard shall be given the status of a national standard, either by publication of an identical text or by endorsement, at the latest by January 2007, and conflicting national standards shall be withdrawn at the latest by January 2007.

Attention is drawn to the possibility that some of the elements of this document may be the subject of patent rights. CEN [and/or CENELEC] shall not be held responsible for identifying any or all such patent rights.

According to the CEN/CENELEC Internal Regulations, the national standards organizations of the following countries are bound to implement this European Standard: Austria, Belgium, Cyprus, Czech Republic, Denmark, Estonia, Finland, France, Germany, Greece, Hungary, Iceland, Ireland, Italy, Latvia, Lithuania, Luxembourg, Malta, Netherlands, Norway, Poland, Portugal, Romania, Slovakia, Slovenia, Spain, Sweden, Switzerland and the United Kingdom.

ITEH STANDARD PREVIEW
(standards.iteh.ai)

[SIST EN 3682-006:2009](https://standards.iteh.ai/catalog/standards/sist/55644882-f6fc-4ac8-894c-cce503b791fc/sist-en-3682-006-2009)

<https://standards.iteh.ai/catalog/standards/sist/55644882-f6fc-4ac8-894c-cce503b791fc/sist-en-3682-006-2009>

EN 3682-006:2006 (E)**1 Scope**

This standard defines the size 3 receptacle used in the family of rectangular electrical connectors for rack to panel, with interchangeable inserts. The plug corresponding to this receptacle is defined in EN 3682-007.

2 Normative references

The following referenced documents are indispensable for the application of this document. For dated references, only the edition cited applies. For undated references, the latest edition of the referenced document (including any amendments) applies.

ISO 263, *ISO inch screw threads — General plan and selection for screws, bolts and nuts — Diameter range 0,06 to 6 in*

EN 3682-001, *Aerospace series — Connectors, plug and receptacle, electrical, rectangular, interchangeable insert type, rack to panel, operating temperature 150 °C continuous — Part 001: Technical specification*

EN 3682-002, *Aerospace series — Connectors, plug and receptacle, electrical, rectangular, interchangeable insert type, rack to panel, operating temperature 150 °C continuous — Part 002: Specification of performance and contact arrangements*

EN 3682-007, *Aerospace series — Connectors, plug and receptacle, electrical, rectangular, interchangeable insert type, rack to panel, operating temperature 150 °C continuous — Part 007: Size 3 plug — Product standard*

ITEH STANDARD PREVIEW
(standards.iteh.ai)

3 Terminology

See EN 3682-001.

[SIST EN 3682-006:2009](https://standards.iteh.ai/catalog/standards/sist/55644882-f6fc-4ac8-894c-cce503b791fc/sist-en-3682-006-2009)

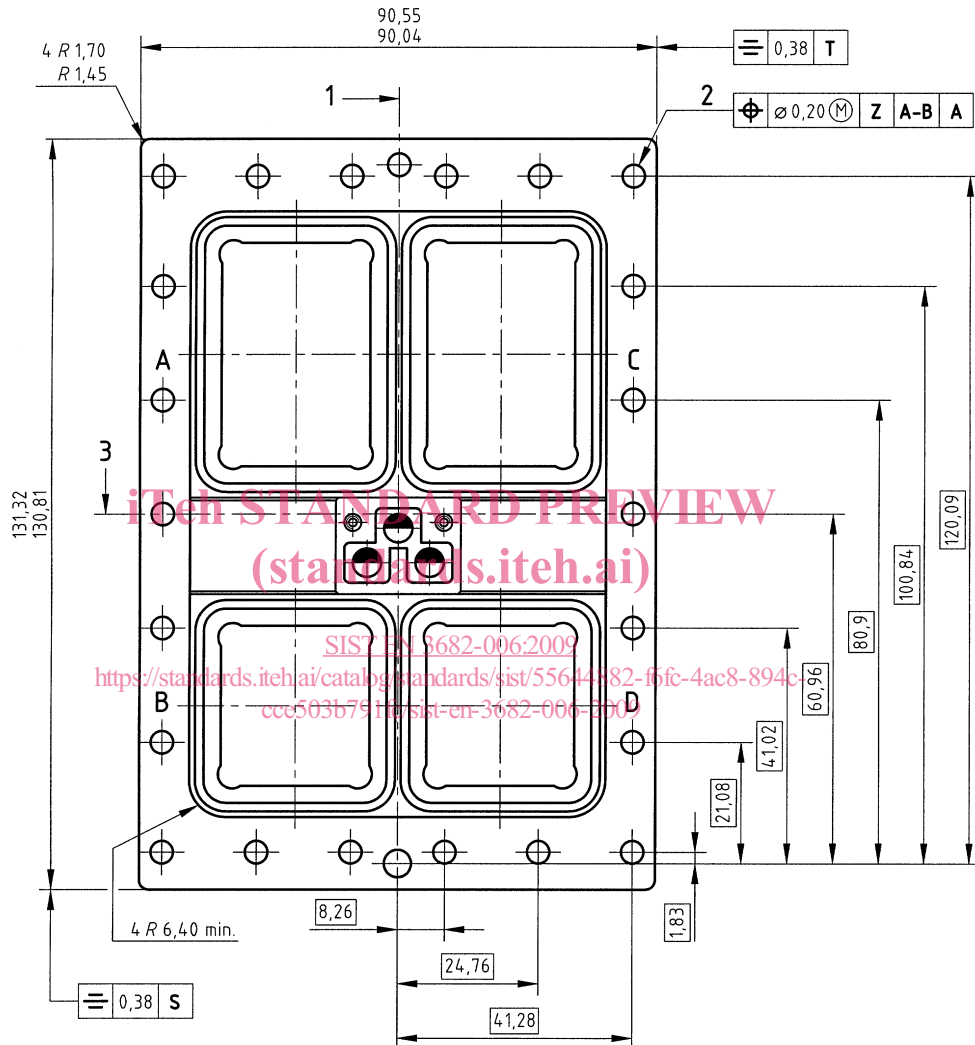
<https://standards.iteh.ai/catalog/standards/sist/55644882-f6fc-4ac8-894c-cce503b791fc/sist-en-3682-006-2009>

4 Required characteristics

4.1 Dimensions

See Figures 1 to 3.

Dimensions are in millimetres.

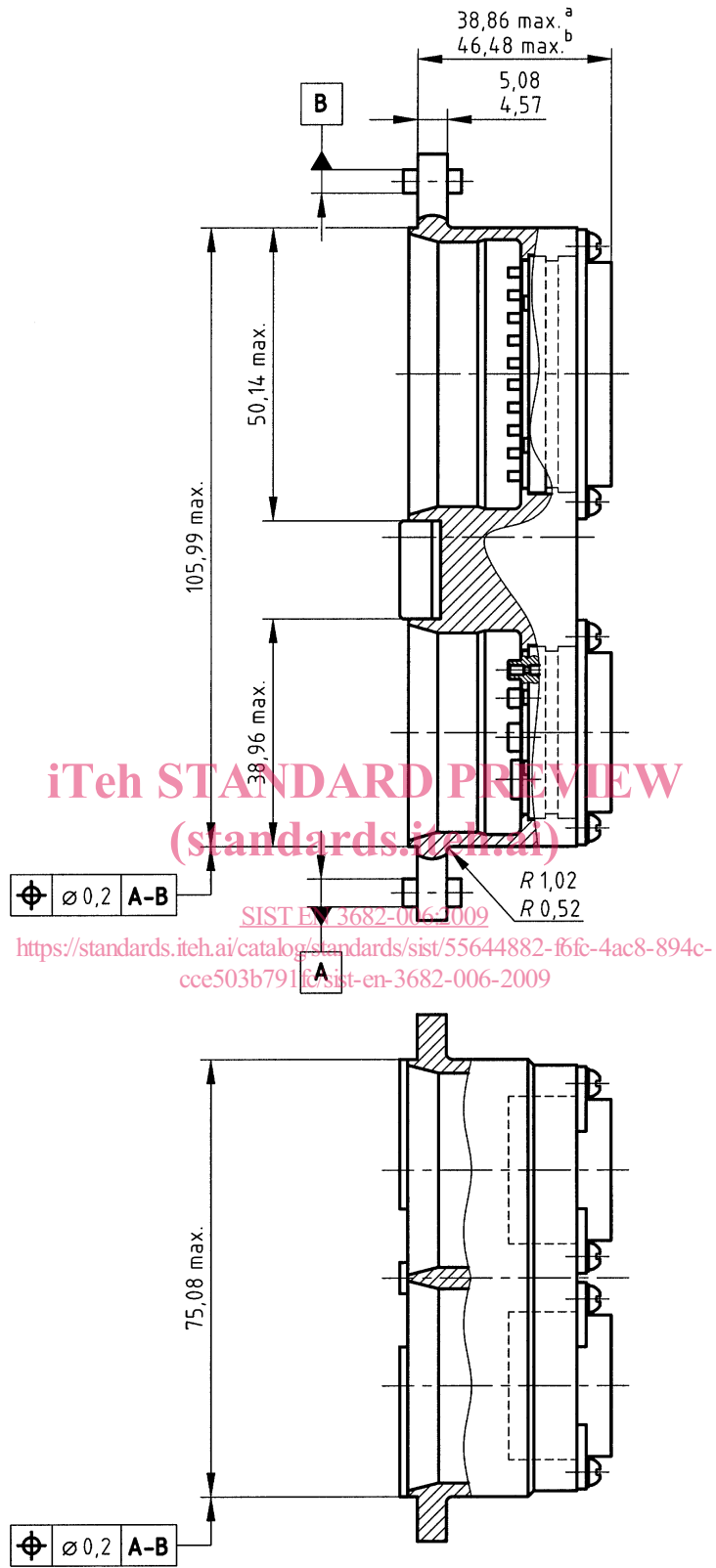


Key

- 1 axis of **T** see note
- 2 22 holes diameter 3,96
diameter 3,71
- 3 axis of **S** see note

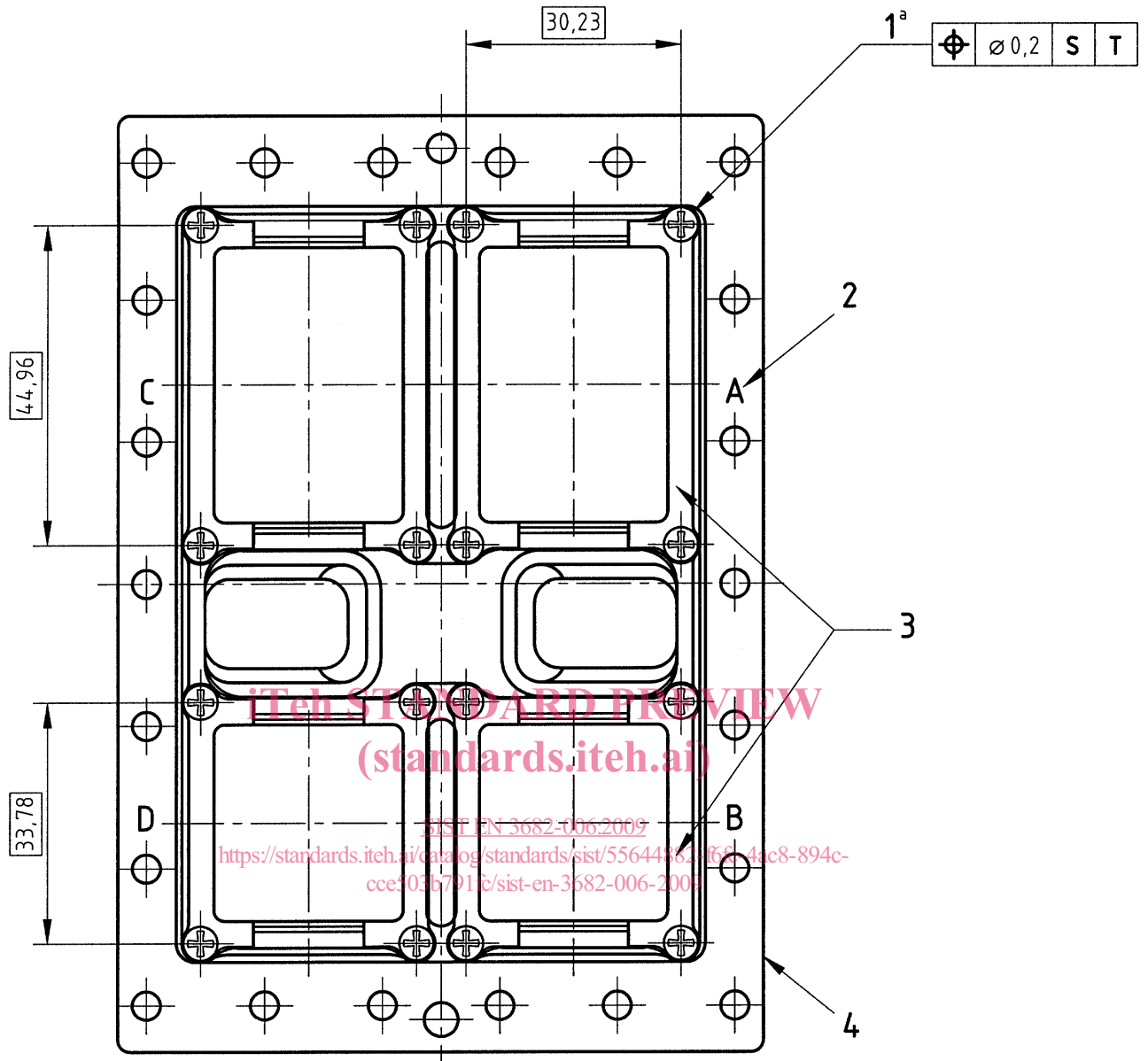
NOTE See EN 3682-001 Tables 2, 3 and 4 for S and T references.

Figure 1



- ^a For arrangements with size 22 contacts.
- ^b For arrangements without size 22 contacts.

Figure 2

**Key**

- 1 16 Philips screw 4-40 UNC 2A
- 2 cavities identification on the front and the rear of the flange
- 3 insert retention device
- 4 marking of trademark of manufacture and part number on right or left of the flange

NOTE See EN 3682-001 Tables 2, 3 and 5 for S and T references.

^a See ISO 263.

Figure 3