



SLOVENSKI STANDARD SIST EN 3716-003:2009

01-september-2009

5 YfcbUj h_U! ?cbY_lcf 1žYbcga Yfb]žf]U_gjUbjžnUX][]HJb]dfYbcg'dcXUh_cj '!\$\$' " XY. Jh] b]WžnUgdU^Ub^Y!GHUbXUX'nUdfc]nj cX

Aerospace series - Connectors, single-way with triaxial interface, for transmission of digital data - Part 003: Solder receptacle - Product standard

Luft- und Raumfahrt - Steckverbinder, triaxial für digitale Datenübertragung in einer Richtung - Teil 003: Steckdose, lötlbar - Produktnorm

Série aérospatiale - Connecteur, monovoie, avec interface triaxiale, pour transmission de données numériques - Partie 003 : Embase à souder - Norme de produit

<https://standards.iteh.ai/catalog/standards/sist/c2b87bf7-8cea-4e68-b2d4-6d48a63a257a/sist-en-3716-003-2009>

Ta slovenski standard je istoveten z: EN 3716-003:2006

ICS:

49.060 Š^æp\ æš Ą^• [|b\ æ Aerospace electric
^|\ dā } æ [] !^ { æš Ą ã c^ { ã equipment and systems

SIST EN 3716-003:2009

en,de

iTeh STANDARD PREVIEW
(standards.iteh.ai)

SIST EN 3716-003:2009

<https://standards.iteh.ai/catalog/standards/sist/c2b87bf7-8cea-4e68-b2d4-6d48a63a257a/sist-en-3716-003-2009>

EUROPEAN STANDARD

EN 3716-003

NORME EUROPÉENNE

EUROPÄISCHE NORM

May 2006

ICS 49.060

English Version

Aerospace series - Connectors, single-way with triaxial interface,
for transmission of digital data - Part 003: Solder receptacle -
Product standard

Série aérospatiale - Connecteur, monovoie, avec interface
triaxiale, pour transmission de données numériques - Partie
003 : Embase à souder - Norme de produit

Luft- und Raumfahrt - Steckverbinder, triaxial für digitale
Datenübertragung in einer Richtung - Teil 003: Steckdose,
lötbar - Produktnorm

This European Standard was approved by CEN on 20 February 2006.

CEN members are bound to comply with the CEN/CENELEC Internal Regulations which stipulate the conditions for giving this European Standard the status of a national standard without any alteration. Up-to-date lists and bibliographical references concerning such national standards may be obtained on application to the Central Secretariat or to any CEN member.

This European Standard exists in three official versions (English, French, German). A version in any other language made by translation under the responsibility of a CEN member into its own language and notified to the Central Secretariat has the same status as the official versions.

CEN members are the national standards bodies of Austria, Belgium, Cyprus, Czech Republic, Denmark, Estonia, Finland, France, Germany, Greece, Hungary, Iceland, Ireland, Italy, Latvia, Lithuania, Luxembourg, Malta, Netherlands, Norway, Poland, Portugal, Romania, Slovakia, Slovenia, Spain, Sweden, Switzerland and United Kingdom.

<https://standards.cen.eu/catalog/standards/sist/c2b87bf7-8cea-4e68-b2d4-6d48a63a257a/sist-en-3716-003-2009>



EUROPEAN COMMITTEE FOR STANDARDIZATION
COMITÉ EUROPÉEN DE NORMALISATION
EUROPÄISCHES KOMITEE FÜR NORMUNG

Management Centre: rue de Stassart, 36 B-1050 Brussels

Contents	Page
Foreword	3
1 Scope	4
2 Normative references	4
3 Terms and definitions	4
4 Required characteristics	4
5 Technical specification	6
6 Designation	6
7 Marking	7
8 Assembly instructions	7

iTeh STANDARD PREVIEW
(standards.iteh.ai)

[SIST EN 3716-003:2009](https://standards.iteh.ai/catalog/standards/sist/c2b87bf7-8cea-4e68-b2d4-6d48a63a257a/sist-en-3716-003-2009)

<https://standards.iteh.ai/catalog/standards/sist/c2b87bf7-8cea-4e68-b2d4-6d48a63a257a/sist-en-3716-003-2009>

Foreword

This European Standard (EN 3716-003:2006) has been prepared by the European Association of Aerospace Manufacturers - Standardization (AECMA-STAN).

After enquiries and votes carried out in accordance with the rules of this Association, this Standard has received the approval of the National Associations and the Official Services of the member countries of AECMA, prior to its presentation to CEN.

This European Standard shall be given the status of a national standard, either by publication of an identical text or by endorsement, at the latest by November 2006, and conflicting national standards shall be withdrawn at the latest by November 2006.

Attention is drawn to the possibility that some of the elements of this document may be the subject of patent rights. CEN [and/or CENELEC] shall not be held responsible for identifying any or all such patent rights.

According to the CEN/CENELEC Internal Regulations, the national standards organizations of the following countries are bound to implement this European Standard: Austria, Belgium, Cyprus, Czech Republic, Denmark, Estonia, Finland, France, Germany, Greece, Hungary, Iceland, Ireland, Italy, Latvia, Lithuania, Luxembourg, Malta, Netherlands, Norway, Poland, Portugal, Romania, Slovakia, Slovenia, Spain, Sweden, Switzerland and the United Kingdom.

ITIH STANDARD PREVIEW
(standards.iteh.ai)

[SIST EN 3716-003:2009](https://standards.iteh.ai/catalog/standards/sist/c2b87bf7-8cea-4e68-b2d4-6d48a63a257a/sist-en-3716-003-2009)

<https://standards.iteh.ai/catalog/standards/sist/c2b87bf7-8cea-4e68-b2d4-6d48a63a257a/sist-en-3716-003-2009>

EN 3716-003:2006 (E)**1 Scope**

This standard specifies the requirements and assembly instructions for solder receptacles, with or without braid connection equipped with a male or female contact, used according to EN 3716-002 on cables conforming to EN 3375-003, EN 3375-004 or EN 3375-005.

2 Normative references

The following referenced documents are indispensable for the application of this document. For dated references, only the edition cited applies. For undated references, the latest edition of the referenced document (including any amendments) applies.

EN 3375-003, *Aerospace series — Cables, electrical, for signal data transmissions — Part 003: Cable, bifilar, double-braid — Product standard.* ¹⁾

EN 3375-004, *Aerospace series — Cables, electrical, for signal data transmissions — Part 004: Cable, bifilar, single-braid — Product standard.* ¹⁾

EN 3375-005, *Aerospace series — Cables, electrical, for signal data transmissions — Part 005: Cable, bifilar, double-braid, high immunity — Product standard.* ¹⁾

EN 3716-001, *Aerospace series — Connector, single-way, with triaxial interface for transmission of digital data — Part 001: Technical specification.*

EN 3716-002, *Aerospace series — Connector, single-way, with triaxial interface for transmission of digital data — Part 002: Conditions of use and list of product standards.*

EN 3716-004, *Aerospace series — Connector, single-way, with triaxial interface for transmission of digital data — Part 004: Solder plug — Product standard.*

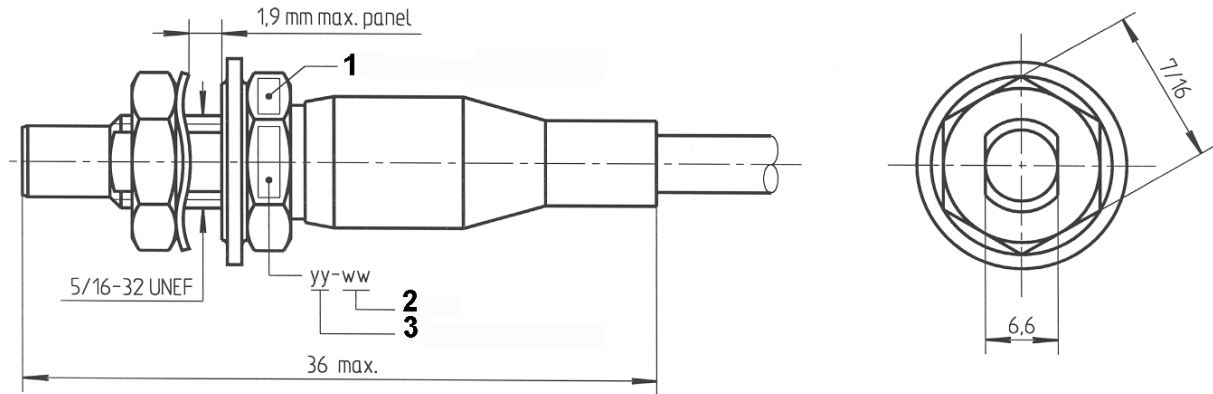
3 Terms and definitions

For the purposes of this standard, the terms and definitions given in EN 3716-001 apply.

4 Required characteristics**4.1 Dimensions and mass****4.1.1 Dimensions**

See Figure 1.

1) In preparation at the date of publication of this standard.

**Key**

- 1 Manufacturer identification
- 2 Week
- 3 2 last figures of year

Figure 1**4.1.2 Mass**

10 g max.

iTeh STANDARD PREVIEW
(standards.iteh.ai)

4.2 Torque of fixing nut

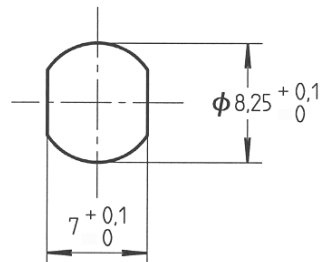
1,13 N.m to 1,7 N.m

[SIST EN 3716-003:2009](https://standards.iteh.ai/catalog/standards/sist/c2b87bf7-8cea-4e68-b2d4-6d48a63a257a/sist-en-3716-003-2009)

<https://standards.iteh.ai/catalog/standards/sist/c2b87bf7-8cea-4e68-b2d4-6d48a63a257a/sist-en-3716-003-2009>

4.3 Panel cut-out

See Figure 2.

**Figure 2****4.4 Material and surface treatment**

See EN 3716-001.

EN 3716-003:2006 (E)**4.5 Main general characteristics**

— Temperature class:	– 65 °C to 150 °C
— Maximum current:	3 A
— Insulation resistance:	5 000 MΩ min.
— Voltage strength:	900 V r.m.s. at sea level
— Contact resistance:	8 mΩ max.
— Coupling torque:	1,13 N.m max.
— Insertion force:	14 N max.
— Retention force of wired contact:	9 N min.
— Number of operations:	500 cycles
— Salt spray:	500 h

4.6 Plug and receptacle combination options

This receptacle mates with a plug conforming to EN 3716-004 equipped with a contact of the opposite type.

X = type of contact

F = female contact

M = male contact

[SIST EN 3716-003:2009](https://standards.iteh.ai/catalog/standards/sist/c2b87bf7-8cea-4e68-b2d4-6d48a63a257a/sist-en-3716-003-2009)

<https://standards.iteh.ai/catalog/standards/sist/c2b87bf7-8cea-4e68-b2d4-6d48a63a257a/sist-en-3716-003-2009>

5 Technical specification

See EN 3716-001.

6 Designation

EXAMPLE

Description block	Identity block
RECEPTACLE	EN3716-003F1
Number of this standard _____	
Type of contact: F : female _____ M : male _____	
Type of cable: see EN 3716-001, Table 5 _____	

7 Marking

See Figure 1.

On the nut:

- manufacturer identification;
- yy-ww (year-week)

8 Assembly instructions

8.1 Tooling

The hot air generator shall have a minimum output of 800 W and the temperature in the heating zone shall be $420\text{ °C} \pm 20\text{ °C}$.

8.2 Procedure

The product is delivered as a kit comprising:

- the connector body with hardware;
- the contact;
- the ferrule;
- a heat-shrinkable sleeve.

iTeh STANDARD PREVIEW
(standards.iteh.ai)
[SIST EN 3716-003:2009
https://standards.iteh.ai/catalog/standards/sist/c2b87bf7-8cea-4e68-b2d4-6d48a63a257a/sist-en-3716-003-2009](https://standards.iteh.ai/catalog/standards/sist/c2b87bf7-8cea-4e68-b2d4-6d48a63a257a/sist-en-3716-003-2009)