

5 YfcbUj h_U! ?cbY_lcf]žcdh b]žc_fc[]žn`Yb]a `U]`j Y `nU]]ždf_`f Yb]n
bUj c`b]a `cVfc _ca `!`nfUj bUb]_cbhU_h]!`\$\$) "XY.`Jh `!`GhUbXUfX`nUdfc]nj cX

Aerospace series - Connectors, optical, circular, single and multipin, coupled by threaded ring - Flush contacts - Part 005: Plug - Product standard

Luft- und Raumfahrt - Optische Rundsteckverbinder mit Schraubkupplung - Bündige Kontakte - Teil 005: Freier Steckverbinder - Produktnorm

Série aérospatiale - Connecteurs optiques circulaires à accouplement par bague fileté - Contacts affleurants - Partie 005 : Fiche - Norme produit

<https://standards.iteh.ai/catalog/standards/sist/ea61eb37-745b-4094-86e2-43923cf560e9/sist-en-4531-005-2009>

Ta slovenski standard je istoveten z: **EN 4531-005:2007**

ICS:

49.060 Š^cp \ æš Ą^• [|b \ æ Aerospace electric
^|\ dā } æ [] ! ^ { æš Ą ã c { ã equipment and systems

SIST EN 4531-005:2009**en,de**

iTeh STANDARD PREVIEW
(standards.iteh.ai)

SIST EN 4531-005:2009

<https://standards.iteh.ai/catalog/standards/sist/ea61eb37-745b-4094-86e2-43923cf560e9/sist-en-4531-005-2009>

EUROPEAN STANDARD

EN 4531-005

NORME EUROPÉENNE

EUROPÄISCHE NORM

June 2007

ICS 49.060

English Version

Aerospace series - Connectors, optical, circular, single and
multipin, coupled by threaded ring - Flush contacts - Part 005:
Plug - Product standard

Série aérospatiale - Connecteurs optiques circulaires à
accouplement par bague fileté - Contacts affleurants -
Partie 005 : Fiche - Norme produit

Luft- und Raumfahrt - Optische Rundsteckverbinder mit
Schraubkupplung - Bündige Kontakte - Teil 005: Stecker -
Produktnorm

This European Standard was approved by CEN on 28 April 2006.

CEN members are bound to comply with the CEN/CENELEC Internal Regulations which stipulate the conditions for giving this European Standard the status of a national standard without any alteration. Up-to-date lists and bibliographical references concerning such national standards may be obtained on application to the CEN Management Centre or to any CEN member.

This European Standard exists in three official versions (English, French, German). A version in any other language made by translation under the responsibility of a CEN member into its own language and notified to the CEN Management Centre has the same status as the official versions.

CEN members are the national standards bodies of Austria, Belgium, Bulgaria, Cyprus, Czech Republic, Denmark, Estonia, Finland, France, Germany, Greece, Hungary, Iceland, Ireland, Italy, Latvia, Lithuania, Luxembourg, Malta, Netherlands, Norway, Poland, Portugal, Romania, Slovakia, Slovenia, Spain, Sweden, Switzerland and United Kingdom.

<https://standards.iteh.ai/Catalog/standards/sist-en-4531-005-2009>
43923cf560e9/sist-en-4531-005-2009



EUROPEAN COMMITTEE FOR STANDARDIZATION
COMITÉ EUROPÉEN DE NORMALISATION
EUROPÄISCHES KOMITEE FÜR NORMUNG

Management Centre: rue de Stassart, 36 B-1050 Brussels

Contents

Page

Foreword.....	3
1 Scope	4
2 Normative references	4
3 Terms and definitions	4
4 Required characteristics	5
5 Designation	6
6 Marking	6
7 Technical specification	6

iTeh STANDARD PREVIEW
(standards.iteh.ai)

[SIST EN 4531-005:2009](#)

<https://standards.iteh.ai/catalog/standards/sist/ea61eb37-745b-4094-86e2-43923cf560e9/sist-en-4531-005-2009>

Foreword

This document (EN 4531-005:2007) has been prepared by the Aerospace and Defence Industries Association of Europe - Standardization (ASD-STAN).

After enquiries and votes carried out in accordance with the rules of this Association, this Standard has received the approval of the National Associations and the Official Services of the member countries of ASD, prior to its presentation to CEN.

This European Standard shall be given the status of a national standard, either by publication of an identical text or by endorsement, at the latest by December 2007, and conflicting national standards shall be withdrawn at the latest by December 2007.

Attention is drawn to the possibility that some of the elements of this document may be the subject of patent rights. CEN [and/or CENELEC] shall not be held responsible for identifying any or all such patent rights.

According to the CEN/CENELEC Internal Regulations, the national standards organizations of the following countries are bound to implement this European Standard: Austria, Belgium, Bulgaria, Cyprus, Czech Republic, Denmark, Estonia, Finland, France, Germany, Greece, Hungary, Iceland, Ireland, Italy, Latvia, Lithuania, Luxembourg, Malta, Netherlands, Norway, Poland, Portugal, Romania, Slovakia, Slovenia, Spain, Sweden, Switzerland and the United Kingdom.

ITEH STANDARD PREVIEW
(standards.iteh.ai)

[SIST EN 4531-005:2009](https://standards.iteh.ai/catalog/standards/sist/ea61eb37-745b-4094-86e2-43923cf560e9/sist-en-4531-005-2009)

<https://standards.iteh.ai/catalog/standards/sist/ea61eb37-745b-4094-86e2-43923cf560e9/sist-en-4531-005-2009>

EN 4531-005:2007 (E)**1 Scope**

This standard specifies the characteristics of mounted plugs in the family of circular connectors with triple start threaded coupling.

2 Normative references

The following referenced documents are indispensable for the application of this document. For dated references, only the edition cited applies. For undated references, the latest edition of the referenced document (including any amendments) applies.

EN 2424, *Aerospace series — Marking of aerospace products.*

EN 4531-001, *Aerospace series — Connectors, optical, circular, single and multipin, coupled by threaded ring — Flush contacts — Part 001: Technical specification.*

EN 4531-002, *Aerospace series — Connectors, optical, circular, single and multipin, coupled by threaded ring — Flush contacts — Part 002: Specification of performance and contact arrangements.*

3 Terms and definitions

For the purposes of this European Standard, the terms and definitions given in EN 4531-001 apply.

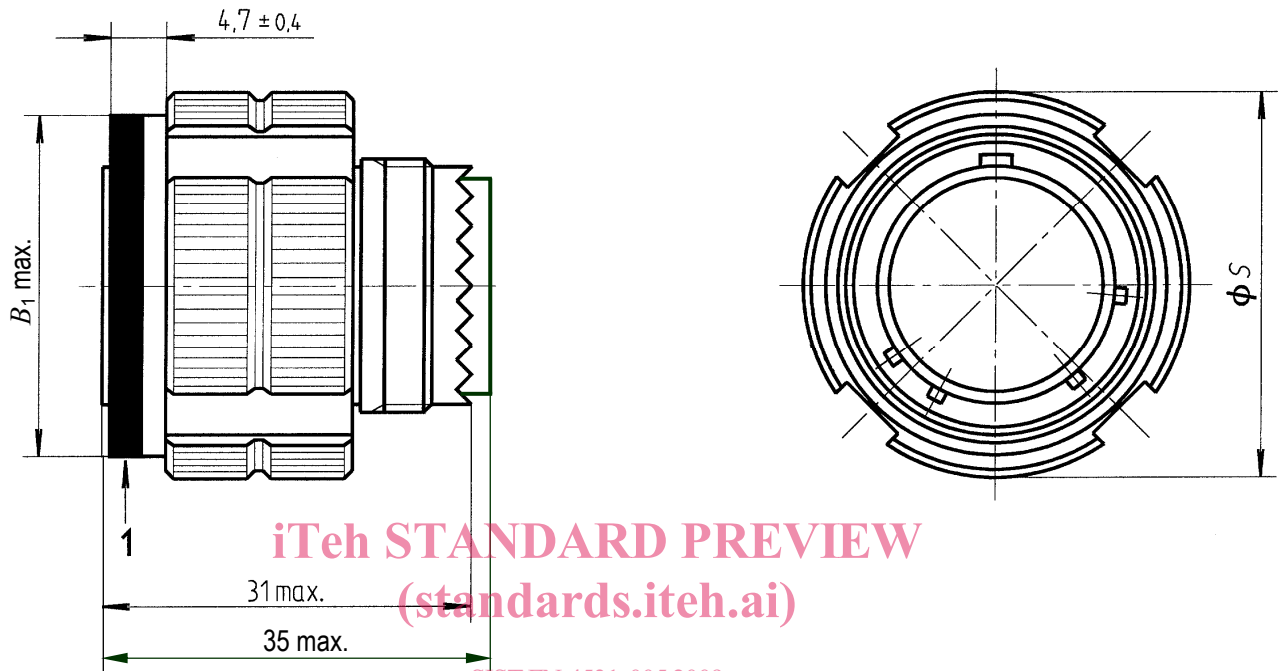
iTeh STANDARD PREVIEW
(standards.iteh.ai)

[SIST EN 4531-005:2009](https://standards.iteh.ai/catalog/standards/sist/ea61eb37-745b-4094-86e2-43923cf560e9/sist-en-4531-005-2009)
<https://standards.iteh.ai/catalog/standards/sist/ea61eb37-745b-4094-86e2-43923cf560e9/sist-en-4531-005-2009>

4 Required characteristics

4.1 Dimensions and masses

See Figure 1 and Table 1. Dimensions and tolerances are in millimetres.



Key

- 1 Blue band

SIST EN 4531-005:2009
<https://standards.iteh.ai/catalog/standards/sist/ea61eb37-745b-4094-86e2-43923cf560e9/sist-en-4531-005-2009>

Profile of coupling ring is not mandatory and is shown illustration purposes only.

Figure 1

Table 1

Shell size	B_1 + 0,20 0	S max.	Mass (g) class			
			F, W, O	K, S	J, M, C	B
09	18,40	21,80	26,5	61	19,5	66
11	21,10	25,00	35	77	28	78
13	25,40	29,40	49	106	35	116
17	32,20	35,70	64	129	55	176
19	34,90	38,50	80	165	68	215
21	38,10	41,70	95	194	78	244
25	44,30	48,00	123	234	102	314

EN 4531-005:2007 (E)**4.2 Material and surface treatment**

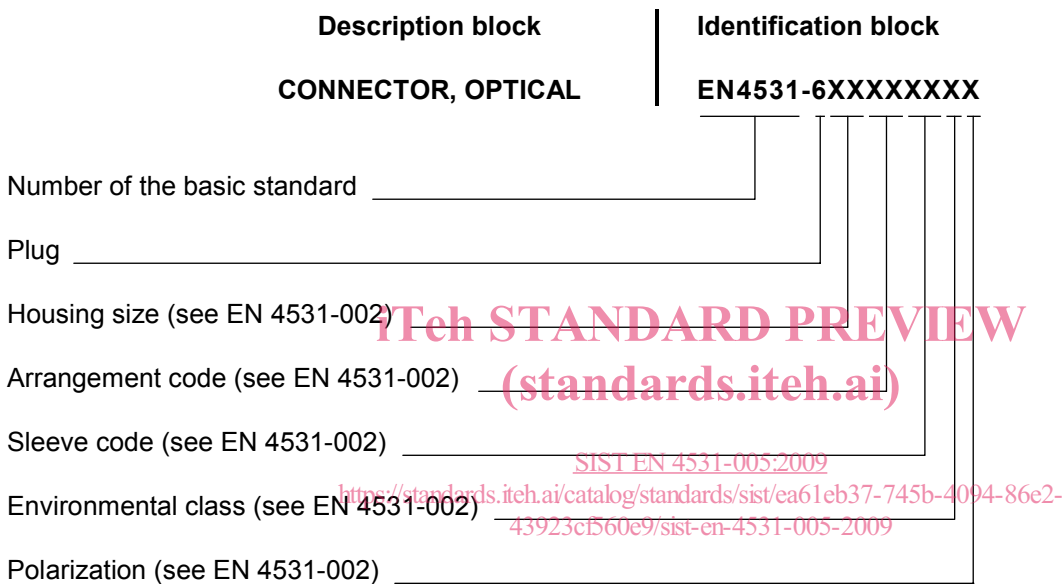
See EN 4531-002.

4.3 Optical, mechanical and climatic characteristics

See EN 4531-002.

5 Designation

EXAMPLE

**6 Marking**

The marking shall include the identification defined in Clause 5, the date of manufacture (year, week) and the name or trade mark of the manufacturer or conform to standard EN 2424, code P, if required.

7 Technical specification

See specific optical contact product standard.¹⁾

¹⁾ Performance is directly linked to optical contact and fibre technology.