
Tolerances for fasteners —

Part 3:

**Plain washers for bolts, screws and nuts —
Product grades A and C**

*Tolérances pour éléments de fixation —
Partie 3: Rondelles plates pour vis et écrous — Grades A et C*
(standards.iteh.ai)

ISO 4759-3:2000

<https://standards.iteh.ai/catalog/standards/sist/03df6994-e7b9-495b-8dfc-df9222d0783/iso-4759-3-2000>



PDF disclaimer

This PDF file may contain embedded typefaces. In accordance with Adobe's licensing policy, this file may be printed or viewed but shall not be edited unless the typefaces which are embedded are licensed to and installed on the computer performing the editing. In downloading this file, parties accept therein the responsibility of not infringing Adobe's licensing policy. The ISO Central Secretariat accepts no liability in this area.

Adobe is a trademark of Adobe Systems Incorporated.

Details of the software products used to create this PDF file can be found in the General Info relative to the file; the PDF-creation parameters were optimized for printing. Every care has been taken to ensure that the file is suitable for use by ISO member bodies. In the unlikely event that a problem relating to it is found, please inform the Central Secretariat at the address given below.

iTeh STANDARD PREVIEW
(standards.iteh.ai)

ISO 4759-3:2000

<https://standards.iteh.ai/catalog/standards/sist/03df6994-e7b9-495b-8dfc-df9222d0783/iso-4759-3-2000>

© ISO 2000

All rights reserved. Unless otherwise specified, no part of this publication may be reproduced or utilized in any form or by any means, electronic or mechanical, including photocopying and microfilm, without permission in writing from either ISO at the address below or ISO's member body in the country of the requester.

ISO copyright office
Case postale 56 • CH-1211 Geneva 20
Tel. + 41 22 749 01 11
Fax + 41 22 734 10 79
E-mail copyright@iso.ch
Web www.iso.ch

Printed in Switzerland

Foreword

ISO (the International Organization for Standardization) is a worldwide federation of national standards bodies (ISO member bodies). The work of preparing International Standards is normally carried out through ISO technical committees. Each member body interested in a subject for which a technical committee has been established has the right to be represented on that committee. International organizations, governmental and non-governmental, in liaison with ISO, also take part in the work. ISO collaborates closely with the International Electrotechnical Commission (IEC) on all matters of electrotechnical standardization.

International Standards are drafted in accordance with the rules given in the ISO/IEC Directives, Part 3.

Draft International Standards adopted by the technical committees are circulated to the member bodies for voting. Publication as an International Standard requires approval by at least 75 % of the member bodies casting a vote.

Attention is drawn to the possibility that some of the elements of this part of ISO 4759 may be the subject of patent rights. ISO shall not be held responsible for identifying any or all such patent rights.

International Standard ISO 4759-3 was prepared by Technical Committee ISO/TC 2, *Fasteners*.

This third edition cancels and replaces the second edition (ISO 4759-3:1991), of which has been technically revised.

iTeh STANDARD PREVIEW

ISO 4759 consists of the following parts, under the general title *Tolerances for fasteners*:

- *Part 1: Bolts, screws, studs and nuts — Product grades A, B and C*
- *Part 2: Bolts, screws and nuts with thread diameters from 1 up to 3 mm and product grade F, for fine mechanics*
- *Part 3: Plain washers for bolts, screws and nuts — Product grades A and C*

Annex A of this part of ISO 4759 is for information only.

iTeh STANDARD PREVIEW
(standards.iteh.ai)

ISO 4759-3:2000

<https://standards.iteh.ai/catalog/standards/sist/03df6994-e7b9-495b-8dfc-df99222d0783/iso-4759-3-2000>

Tolerances for fasteners —

Part 3:

Plain washers for bolts, screws and nuts — Product grades A and C

1 Scope

This part of ISO 4759 establishes a selection of tolerances for use in the preparation of ISO product standards for punched plain washers of product grades A and C, for use with bolts, screws and nuts of nominal thread diameters of from 1 mm to 150 mm inclusive.

It is recommended that these tolerances also be used for non-standard washers.

NOTE The product grade refers to the quality of the product and to the size of the tolerances.

Annex A (informative) presents tolerances taken from ISO 286-1 and ISO 286-2.

iTeh STANDARD PREVIEW
(standards.iteh.ai)

2 Normative references

ISO 4759-3:2000

<https://standards.iteh.ai/catalog/standards/sist/03df6994-e7b9-495b-8dfc-419210782045/iso-4759-3:2000>

The following normative documents contain provisions which, through reference in this text, constitute provisions of this part of ISO 4759. For dated references, subsequent amendments to, or revisions of, any of these publications do not apply. However, parties to agreements based on this part of ISO 4759 are encouraged to investigate the possibility of applying the most recent editions of the normative documents indicated below. For undated references, the latest edition of the normative document referred to applies. Members of ISO and IEC maintain registers of currently valid International Standards.

ISO 1101—¹⁾, *Geometrical product specifications (GPS) — Geometrical tolerancing — Tolerances of form, orientation, location and run-out.*

ISO 2692:1988, *Technical drawings — Geometrical tolerancing — Maximum material principle.*

ISO 4042:1999, *Fasteners — Electroplated coatings.*

3 Tolerances

The tolerances for plain washers of product grades A and C are given in Table 1.

Unless otherwise specified, the tolerances specified in this part of ISO 4759 apply to washers prior to coating; see also ISO 4042.

1) To be published. (Revision of ISO 1101:1983)

Deviations from the tolerances specified in this part of ISO 4759 are permitted in product standards only for valid technical reasons. In cases where there is a difference between the tolerance requirements in this part of ISO 4759 and the product standard, the latter takes precedence.

The tolerances of form and position are specified and indicated according to the definitions of ISO 1101 and ISO 2692.

Table 1

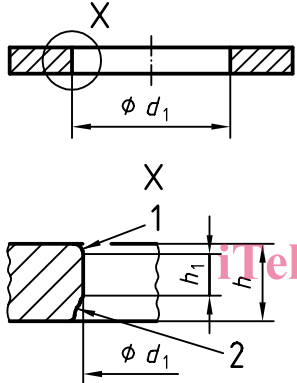
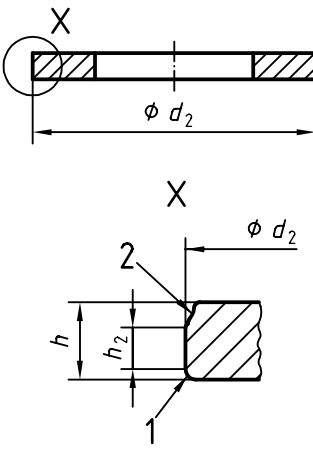
Feature	Tolerances				
	Product grades				
	A			C	
3.1 Clearance hole (punched) 	h	d_1	h_1	h	d_1
	mm	tol.	min.	mm	tol.
	$h \leq 4$	H13	0,5 h	$h \leq 4$	H14
	$h > 4$	H14	0,3 h	$h > 4$	H15
Key 1 Rollover 2 Fracture	Rollover and fracture are undefined but shall be present.			h_1 , rollover and fracture are undefined but shall be present.	
ISO 4759-3:2000 https://standards.iteh.ai/catalog/standards/sist/03df6994-e7b9-495b-8dfc-df9922207110/iso-4759-3-2000 h_1 is the part of the hole within the tolerance specified for d_1 .					
3.2 Outside diameter (punched) 	h	d_2	d_2		
	mm	tol.	tol.		
	$h \leq 4$	h14	h16		
	$h > 4$	h15			
Key 1 Rollover 2 Fracture	h_2 , rollover and fracture are undefined but present. h_2 is the part of the outer contour within the tolerance specified for d_2 .				

Table 1 (continued)

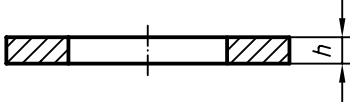
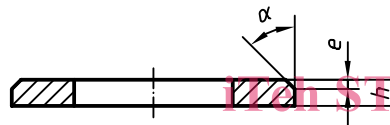
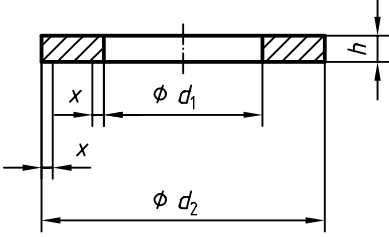
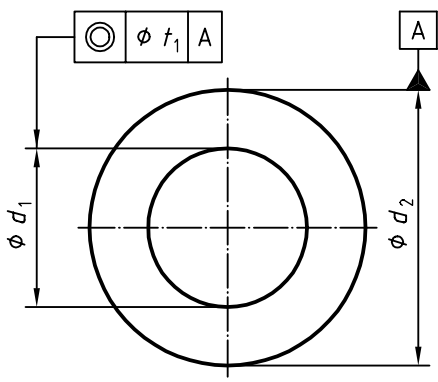
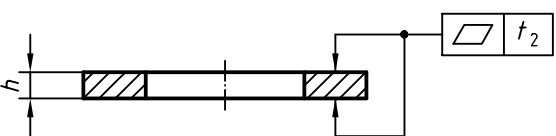
Feature	Tolerances														
	Product grades														
	A		C												
3.3 Thickness 	h tol. mm	h tol. mm	h tol. mm	h tol. mm											
	$\alpha = 30^\circ \text{ to } 45^\circ$ $e_{\min} = 0,25 h$ $e_{\max} = 0,5 h$														
3.5 Tolerances of form and position															
3.5.1 Thickness variation Δh on the same part  <p>NOTE Requirements for Δh apply at a distance of $x = 0,1 (d_2 - d_1)$ from the edge of the hole and the outer edge: i.e. only on 60 % of the ring width.</p>	h mm	Δh mm	(No requirements)												
<table border="1"> <tr> <td>$h \leq 0,5$</td> <td>0,025</td> </tr> <tr> <td>$0,5 < h \leq 1$</td> <td>0,05</td> </tr> <tr> <td>$1 < h \leq 2,5$</td> <td>0,1</td> </tr> <tr> <td>$2,5 < h \leq 4$</td> <td>0,15</td> </tr> <tr> <td>$4 < h \leq 6$</td> <td>0,2</td> </tr> <tr> <td>$6 < h \leq 10$</td> <td>0,3</td> </tr> <tr> <td>$10 < h \leq 20$</td> <td>0,4</td> </tr> </table>	$h \leq 0,5$	0,025			$0,5 < h \leq 1$	0,05	$1 < h \leq 2,5$	0,1	$2,5 < h \leq 4$	0,15	$4 < h \leq 6$	0,2	$6 < h \leq 10$	0,3	$10 < h \leq 20$
$h \leq 0,5$	0,025														
$0,5 < h \leq 1$	0,05														
$1 < h \leq 2,5$	0,1														
$2,5 < h \leq 4$	0,15														
$4 < h \leq 6$	0,2														
$6 < h \leq 10$	0,3														
$10 < h \leq 20$	0,4														

Table 1 (continued)

Feature	Tolerances				
	Product grades				
	A		C		
<p>3.5.2 Coaxiality</p>  <p>NOTE Tolerance t_1 is based on dimension d_2.</p>	d_2 mm	t_1	d_2 mm	t_1	
$d_2 \leq 50$ $d_2 > 50$	2 IT12 2 IT13	$d_2 \leq 50$ $d_2 > 50$	2 IT15 2 IT16		
<p>3.5.3 Flatness</p>  <p>NOTE Tolerance t_2 is always independent of the thickness tolerance for h.</p>	h mm	t_2^a mm	(No requirements)		
Stainless steel excepted		$h \leq 0,5$			0,1
		$0,5 < h \leq 1$			0,15
		$1 < h \leq 2,5$			0,2
		$2,5 < h \leq 4$	0,3		
		$4 < h \leq 6$	0,4		
		$6 < h \leq 10$	0,6		
		$10 < h \leq 20$	1		
Stainless steel		$h \leq 0,5$	0,15		
		$0,5 < h \leq 1$	0,22		
		$1 < h \leq 2,5$	0,3		
		$2,5 < h \leq 4$	0,45		
		$4 < h \leq 6$	0,6		
		$6 < h \leq 10$	0,9		
		$10 < h \leq 20$	1,5		

^a Flatness is measured after removal of burrs.

Annex A (informative)

Tolerances

Standard tolerance grades for IT values are given in table A.1 and the limit deviations for shafts and holes in tables A.2 and A.3, respectively. These tolerances are taken from ISO 286-1 and ISO 286-2.

Table A.1 — IT values of standard tolerance grades in millimetres

Nominal dimensions		Standard tolerance grades			
over	to	IT12	IT13	IT15	IT16
Tolerances					
	3	0,1	0,14	0,4	0,6
3	6	0,12	0,18	0,48	0,75
6	10	0,15	0,22	0,58	0,9
10	18	0,18	0,27	0,7	1,1
18	30	0,21	0,33	0,84	1,3
30	50	0,25	0,39	1	1,6
50	80	0,3	0,46	1,2	1,9
80	120	0,35	0,54	1,4	2,2
120	180	0,4	0,63	1,6	2,5
180	250	0,46	0,72	1,85	2,9

Table A.2 — Limit deviations for shafts ISO 4759-3:2000

Nominal dimensions		Limit deviations		
mm		mm		
over	to	h14	h15	h16
	3	0 -0,25	0 -0,4	0 -0,6
3	6	0 -0,3	0 -0,48	0 -0,75
6	10	0 -0,36	0 -0,58	0 -0,9
10	18	0 -0,43	0 -0,7	0 -1,1
18	30	0 -0,52	0 -0,84	0 -1,3
30	50	0 -0,62	0 -1	0 -1,6
50	80	0 -0,74	0 -1,2	0 -1,9
80	120	0 -0,87	0 -1,4	0 -2,2
120	180	0 -1	0 -1,6	0 -2,5
180	250	0 -1,15	0 -1,85	0 -2,9

Table A.3 — Limit deviations for holes

Nominal dimensions		Limit deviations		
mm		mm		
over	to	H13	H14	H15
	3	+0,14 0	+0,25 0	+0,4 0
3	6	+0,18 0	+0,3 0	+0,48 0
6	10	+0,22 0	+0,36 0	+0,58 0
10	18	+0,27 0	+0,43 0	+0,7 0
18	30	+0,33 0	+0,52 0	+0,84 0
30	50	+0,39 0	+0,62 0	+1 0
50	80	+0,46 0	+0,74 0	+1,2 0
80	120	+0,54 0	+0,87 0	+1,4 0
120	180	+0,63 0	+1 0	+1,6 0
180	250	+0,72 0	+1,15 0	+1,85 0