

---

**Aeronavtika - Modularni medsebojno povezljivi sistemi - Razdelilni moduli - 004.  
del: Snemljivi povratni skoznjiki, netesnjeni - Standard za proizvod**

Aerospace series - Modular interconnection systems - Terminal junction systems - Part  
004: Removable feedback modules version, unsealed - Product standard

Luft- und Raumfahrt - Verteilersysteme in modularer Bauweise - Verteilermodule - Teil  
004: Anreihbare Rückleitungsmodule, nicht abgedichtet - Produktnorm

Série aérospatiale - Systèmes d'interconnexions modulaires - Barrettes de raccordement  
- Partie 004 : Version à modules amovibles à retour, non étanches - Norme de produit

[https://standards.iteh.ai/catalog/standards/sist/51f09b51-3288-47c7-89b8-](https://standards.iteh.ai/catalog/standards/sist/51f09b51-3288-47c7-89b8-8fb88ff81447/sist-en-3708-004-2009)

[8fb88ff81447/sist-en-3708-004-2009](https://standards.iteh.ai/catalog/standards/sist/51f09b51-3288-47c7-89b8-8fb88ff81447/sist-en-3708-004-2009)

**Ta slovenski standard je istoveten z: EN 3708-004:2006**

---

**ICS:**

49.060 Štejni električni opremljeni sistemi in oprema za letalstvo in zrakoplovstvo  
Aerospace electric equipment and systems

**SIST EN 3708-004:2009**

**en,de**

**iTeh STANDARD PREVIEW**  
**(standards.iteh.ai)**

SIST EN 3708-004:2009

<https://standards.iteh.ai/catalog/standards/sist/51f09b51-3288-47c7-89b8-8fb88ff81447/sist-en-3708-004-2009>

EUROPEAN STANDARD  
NORME EUROPÉENNE  
EUROPÄISCHE NORM

**EN 3708-004**

May 2006

ICS 49.060

English Version

**Aerospace series - Modular interconnection systems - Terminal  
junction systems - Part 004: Removable feedback modules  
version, unsealed - Product standard**

Série aérospatiale - Systèmes d'interconnexions  
modulaires - Barrettes de raccordement - Partie 004 :  
Version à modules amovibles à retour, non étanches -  
Norme de produit

Luft- und Raumfahrt - Verteilersystem in modularer  
Bauweise - Verteilermodule - Teil 004: Anreihbare  
Durchführungsmodule, nicht abgedichtet - Produktnorm

This European Standard was approved by CEN on 16 March 2006.

CEN members are bound to comply with the CEN/CENELEC Internal Regulations which stipulate the conditions for giving this European Standard the status of a national standard without any alteration. Up-to-date lists and bibliographical references concerning such national standards may be obtained on application to the Central Secretariat or to any CEN member.

This European Standard exists in three official versions (English, French, German). A version in any other language made by translation under the responsibility of a CEN member into its own language and notified to the Central Secretariat has the same status as the official versions.

CEN members are the national standards bodies of Austria, Belgium, Cyprus, Czech Republic, Denmark, Estonia, Finland, France, Germany, Greece, Hungary, Iceland, Ireland, Italy, Latvia, Lithuania, Luxembourg, Malta, Netherlands, Norway, Poland, Portugal, Romania, Slovakia, Slovenia, Spain, Sweden, Switzerland and United Kingdom.



EUROPEAN COMMITTEE FOR STANDARDIZATION  
COMITÉ EUROPÉEN DE NORMALISATION  
EUROPÄISCHES KOMITEE FÜR NORMUNG

**Management Centre: rue de Stassart, 36 B-1050 Brussels**

| <b>Contents</b> |                                | <b>Page</b> |
|-----------------|--------------------------------|-------------|
| Foreword .....  |                                | 3           |
| 1               | Scope .....                    | 4           |
| 2               | Normative references .....     | 4           |
| 3               | Terms and definitions .....    | 4           |
| 4               | Required characteristics ..... | 4           |
| 5               | Designation .....              | 8           |
| 6               | Marking .....                  | 8           |
| 7               | Delivery conditions .....      | 8           |
| 8               | Packaging .....                | 8           |
| 9               | Storage .....                  | 8           |
| 10              | Technical specification.....   | 8           |

**iTeh STANDARD PREVIEW**  
**(standards.iteh.ai)**

[SIST EN 3708-004:2009](https://standards.iteh.ai/catalog/standards/sist/51f09b51-3288-47c7-89b8-8fb88ff81447/sist-en-3708-004-2009)

<https://standards.iteh.ai/catalog/standards/sist/51f09b51-3288-47c7-89b8-8fb88ff81447/sist-en-3708-004-2009>

## Foreword

This European Standard (EN 3708-004:2006) has been prepared by the European Association of Aerospace Manufacturers - Standardization (AECMA-STAN).

After enquiries and votes carried out in accordance with the rules of this Association, this Standard has received the approval of the National Associations and the Official Services of the member countries of AECMA, prior to its presentation to CEN.

This European Standard shall be given the status of a national standard, either by publication of an identical text or by endorsement, at the latest by November 2006, and conflicting national standards shall be withdrawn at the latest by November 2006.

Attention is drawn to the possibility that some of the elements of this document may be the subject of patent rights. CEN [and/or CENELEC] shall not be held responsible for identifying any or all such patent rights.

According to the CEN/CENELEC Internal Regulations, the national standards organizations of the following countries are bound to implement this European Standard: Austria, Belgium, Cyprus, Czech Republic, Denmark, Estonia, Finland, France, Germany, Greece, Hungary, Iceland, Ireland, Italy, Latvia, Lithuania, Luxembourg, Malta, Netherlands, Norway, Poland, Portugal, Romania, Slovakia, Slovenia, Spain, Sweden, Switzerland and the United Kingdom.

**ITIH STANDARD PREVIEW**  
**(standards.iteh.ai)**

[SIST EN 3708-004:2009](https://standards.iteh.ai/catalog/standards/sist/51f09b51-3288-47c7-89b8-8fb88ff81447/sist-en-3708-004-2009)

<https://standards.iteh.ai/catalog/standards/sist/51f09b51-3288-47c7-89b8-8fb88ff81447/sist-en-3708-004-2009>

**EN 3708-004:2006 (E)****1 Scope**

This standard specifies a removable version of feedback unsealed modules, designed to operate at temperatures between – 55 °C and 175 °C and at a maximum altitude of 13 700 m, constituting a terminal junction system used in modular interconnection systems.

**2 Normative references**

The following referenced documents are indispensable for the application of this document. For dated references, only the edition cited applies. For undated references, the latest edition of the referenced document (including any amendments) applies.

EN 2591-101, *Aerospace series — Elements of electrical and optical connection — Test methods — Part 101: Visual examination.*

EN 2591-317, *Aerospace series — Elements of electrical and optical connection — Test methods — Part 317: Flammability.*

EN 3708-001, *Aerospace series — Modular interconnection systems — Terminal junction systems — Part 001: Technical specification.*

**3 Terms and definitions**

For the purposes of this standard, the terms and definitions given in EN 3708-001 apply.

**4 Required characteristics****4.1 Dimensions and masses**

See Figure 1 and Table 1.

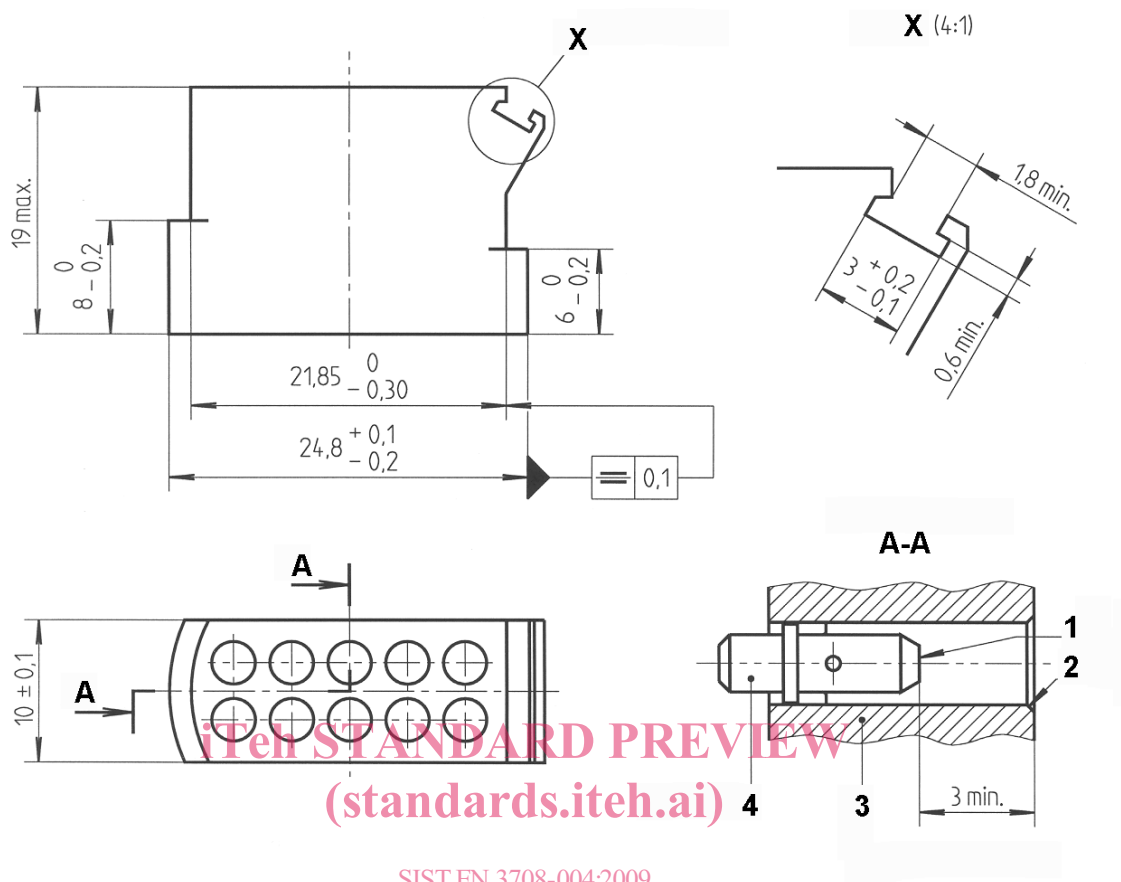
The modules shall be coded A or B depending on their dimensions and the contacts with which they are used (see Table 1).

A recess shall be provided for coding labels, thickness: 0,5.

Dimensions and tolerances are in millimetres.

**STANDARD PREVIEW**  
(standards.iteh.ai)

[SIST EN 3708-004:2009](https://standards.iteh.ai/catalog/standards/sist/51f09b51-3288-47c7-89b8-8fb88ff81447/sist-en-3708-004-2009)  
<https://standards.iteh.ai/catalog/standards/sist/51f09b51-3288-47c7-89b8-8fb88ff81447/sist-en-3708-004-2009>



SIST EN 3708-004:2009  
<https://standards.iteh.ai/catalog/standards/sist/51f09b51-3288-47c7-89b8-8fb88ff81447/sist-en-3708-004-2009>

**Key**

- 1 Contact rear
- 2 Broken angle
- 3 Hard insulator
- 4 Contact

**Figure 1**

**Table 1**

| Code | Contact size | Mass without contacts |
|------|--------------|-----------------------|
|      |              | g max.                |
| A    | 22           | 6,1                   |
| B    | 20           | 8,1                   |

## EN 3708-004:2006 (E)

## 4.2 Interconnection diagrams

See Figures 2 and 3 and Tables 2 and 3.

The following shall be visible on the contact access surface:

- lines delimiting each group of contacts;
- the contact socket code for each group.

The colour of these lines and codes shall contrast with that of the contact access surface.

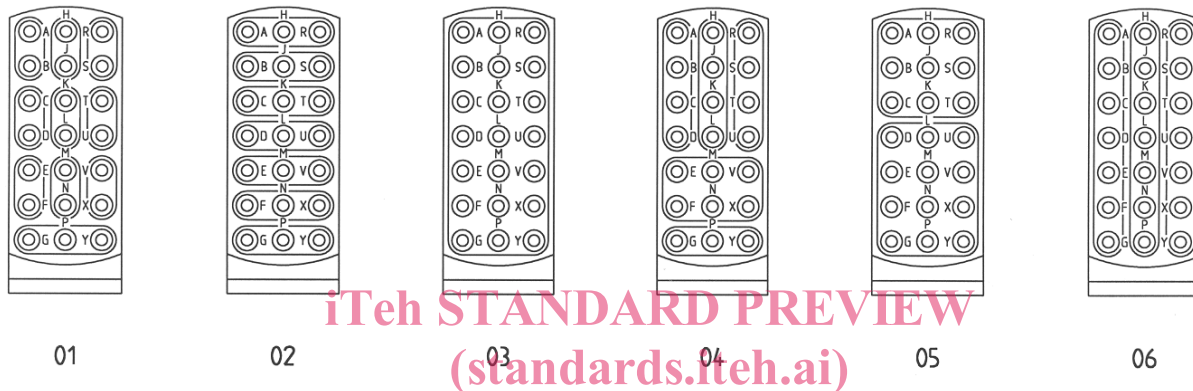
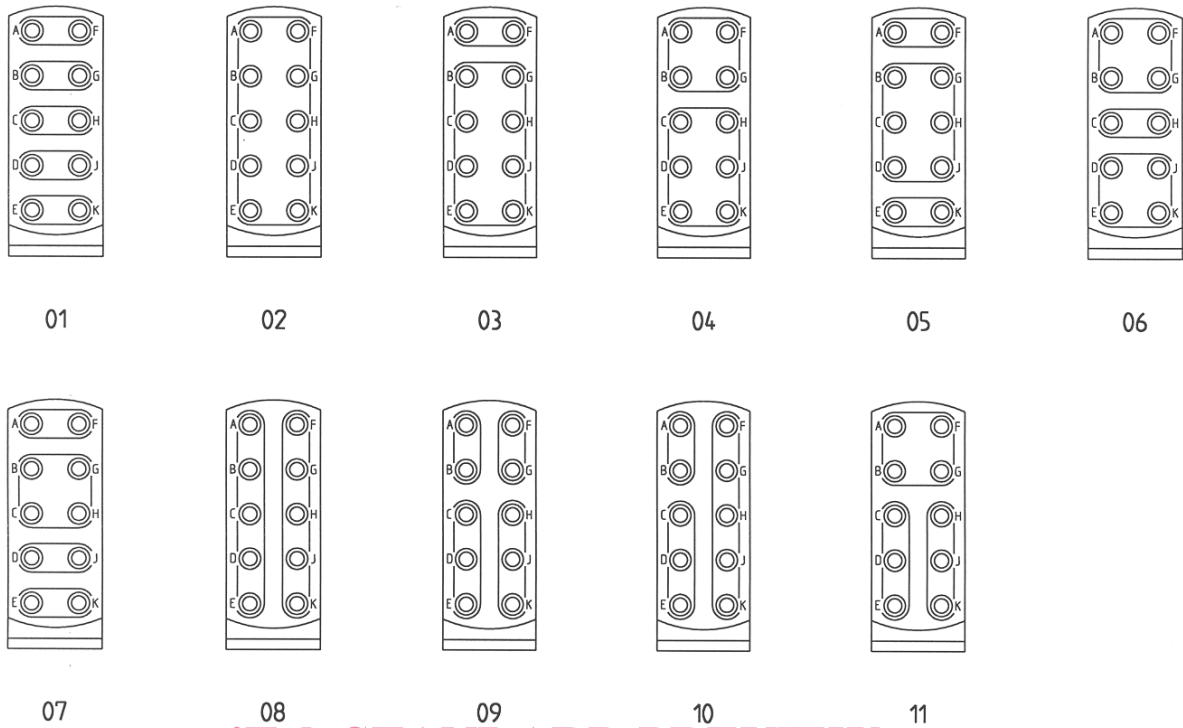


Figure 2 — Interconnection diagrams for modules code A, contact size 22  
<https://standards.iteh.ai/catalog/standards/sist/51f09b51-3288-47c7-89b8-8fb88ff81447/sist-en-3708-004-2009>  
 Table 2

| Diagram number | Feedback module, code A |   |
|----------------|-------------------------|---|
|                | Number of contacts      | Definition of diagrams  |
| A01            | 21 of size 22           | 10 groups, 9 of 2 contacts<br>1 of 3 contacts                   |
| A02            |                         | 7 groups of 3 contacts  |
| A03            |                         | 1 group of 21 contacts  |
| A04            |                         | 5 groups, 3 of 4 contacts<br>1 of 6 contacts<br>1 of 3 contacts |
| A05            |                         | 1 group of 9 contacts<br>1 group of 12 contacts                 |
| A06            |                         | 3 groups of 7 contacts  |





**Figure 3 — Interconnection diagrams for modules code B, contact size 20**  
 (standards.iteh.ai)

Table 3

| Diagram number | Number of contacts | Definition of diagrams  |
|----------------|--------------------|---|
| B01            | 10 of size 20      | 5 groups of 2 contacts  |
| B02            |                    | 1 group of 10 contacts  |
| B03            |                    | 2 groups, 1 of 2 contacts<br>1 of 8 contacts                    |
| B04            |                    | 2 groups, 1 of 4 contacts<br>1 of 6 contacts                    |
| B05            |                    | 3 groups, 2 of 2 contacts<br>1 of 6 contacts                    |
| B06            |                    | 3 groups, 2 of 4 contacts<br>1 of 2 contacts                    |
| B07            |                    | 4 groups, 3 of 2 contacts<br>1 of 4 contacts                    |
| B08            |                    | 2 groups of 5 contacts  |
| B09            |                    | 4 groups, 2 of 2 contacts<br>2 of 3 contacts                    |
| B10            |                    | 3 groups, 1 of 5 contacts<br>1 of 2 contacts<br>1 of 3 contacts |
| B11            |                    | 3 groups, 1 of 4 contacts<br>2 of 3 contacts                    |