

---

---

**Ships and marine technology — Clear  
openings for external single-leaf doors**

*Navires et technologie maritime — Ouvertures libres pour les portes  
extérieures à un seul battant*

**iTeh STANDARD PREVIEW**  
**(standards.iteh.ai)**

[ISO 3796:1999](https://standards.iteh.ai/catalog/standards/sist/f923644b-28d6-481d-bacd-f76112c250e7/iso-3796-1999)

[https://standards.iteh.ai/catalog/standards/sist/f923644b-28d6-481d-bacd-  
f76112c250e7/iso-3796-1999](https://standards.iteh.ai/catalog/standards/sist/f923644b-28d6-481d-bacd-f76112c250e7/iso-3796-1999)



**PDF disclaimer**

This PDF file may contain embedded typefaces. In accordance with Adobe's licensing policy, this file may be printed or viewed but shall not be edited unless the typefaces which are embedded are licensed to and installed on the computer performing the editing. In downloading this file, parties accept therein the responsibility of not infringing Adobe's licensing policy. The ISO Central Secretariat accepts no liability in this area.

Adobe is a trademark of Adobe Systems Incorporated.

Details of the software products used to create this PDF file can be found in the General Info relative to the file; the PDF-creation parameters were optimized for printing. Every care has been taken to ensure that the file is suitable for use by ISO member bodies. In the unlikely event that a problem relating to it is found, please inform the Central Secretariat at the address given below.

**iTeh STANDARD PREVIEW**  
**(standards.iteh.ai)**

[ISO 3796:1999](#)

<https://standards.iteh.ai/catalog/standards/sist/f923644b-28d6-481d-bacd-f76112c250e7/iso-3796-1999>

© ISO 1999

All rights reserved. Unless otherwise specified, no part of this publication may be reproduced or utilized in any form or by any means, electronic or mechanical, including photocopying and microfilm, without permission in writing from either ISO at the address below or ISO's member body in the country of the requester.

ISO copyright office  
Case postale 56 • CH-1211 Geneva 20  
Tel. + 41 22 749 01 11  
Fax + 41 22 734 10 79  
E-mail [copyright@iso.ch](mailto:copyright@iso.ch)  
Web [www.iso.ch](http://www.iso.ch)

Printed in Switzerland

## Foreword

ISO (the International Organization for Standardization) is a worldwide federation of national standards bodies (ISO member bodies). The work of preparing International Standards is normally carried out through ISO technical committees. Each member body interested in a subject for which a technical committee has been established has the right to be represented on that committee. International organizations, governmental and non-governmental, in liaison with ISO, also take part in the work. ISO collaborates closely with the International Electrotechnical Commission (IEC) on all matters of electrotechnical standardization.

International Standards are drafted in accordance with the rules given in the ISO/IEC Directives, Part 3.

Draft International Standards adopted by the technical committees are circulated to the member bodies for voting. Publication as an International Standard requires approval by at least 75 % of the member bodies casting a vote.

Attention is drawn to the possibility that some of the elements of this International Standard may be the subject of patent rights. ISO shall not be held responsible for identifying any or all such patent rights.

International Standard ISO 3796 was prepared by Technical Committee ISO/TC 8, *Ships and marine technology*, Subcommittee SC 8, *Structures*.

This second edition cancels and replaces the first edition (ISO 3796:1976).

The following amendments have been made to the first edition.

- a) A reference to ISO 6042 has been inserted in Table 1.
- b) Figure 1 now shows the shape of the clear opening depending on the design of the door frame.
- c) Sizes for corner radii have been added.
- d) Tolerances have been added.
- e) A recommendation to prefer clear openings with rounded corners (100 mm radius) has been added.

**iTeh STANDARD PREVIEW**  
**(standards.iteh.ai)**

ISO 3796:1999

<https://standards.iteh.ai/catalog/standards/sist/f923644b-28d6-481d-bacd-f76112c250e7/iso-3796-1999>

# Ships and marine technology — Clear openings for external single-leaf doors

## 1 Scope

This International Standard lays down standardized dimensions of clear openings for all types of external single-leaf doors, on board ships, for which coamings are required.

These dimensions shall be used as nominal sizes for these doors of ships.

## 2 Normative reference

The following normative document contains provisions which, through reference in this text, constitute provisions of this International Standard. For a dated reference, subsequent amendments to, or revisions of, the publication do not apply. However, parties to agreements based on this International Standard are encouraged to investigate the possibility of applying the most recent edition of the normative document indicated below. For an undated reference, the latest edition of the normative document referred to applies. Members of ISO and IEC maintain registers of currently valid International Standards.

ISO 6042: 1998, *Ships and marine technology — Weathertight single-leaf steel doors*.

<https://standards.iteh.ai/catalog/standards/sist/f923644b-28d6-481d-bacd-f76112c250e7/iso-3796-1999>

## 3 Terms and definition

For the purposes of this International Standard, the following term and definition applies.

### 3.1

#### **clear opening of a door**

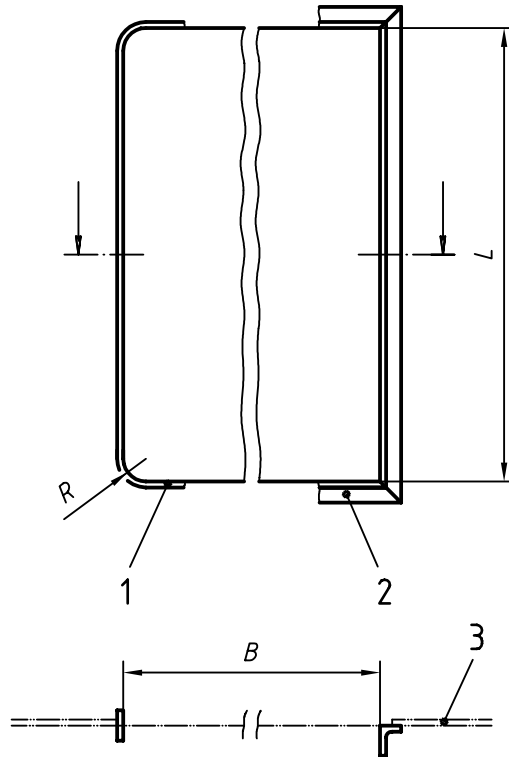
clear light dimension for height ( $L$ ) and width ( $B$ ) of the door frame's inside

## 4 Clear openings/Nominal sizes

Depending on the design of the door frame, the corners of clear openings may be square or rounded with  $R$  as given in Table 1.

In order to prevent cracking, rounded corners with  $R = 100$  mm shall be preferred.

Clear openings for different types of door frame are shown in Figure 1.



**Key**

- 1 Flat bar frame
- 2 Angle bar frame
- 3 Wall or bulkhead plate

**iTeh STANDARD PREVIEW**  
(standards.iteh.ai)

ISO 3796:1999

**Figure 1 — Clear openings for different types of frame**  
f76112c250e7/iso-3796-1999

**Table 1 — Nominal sizes, dimensions**

Dimensions in millimetres

Nominal size	Dimension			Additional information
	$L$ 0 -2	$B$ 0 -2	$R$	
1 200 × 600	1 200	600	100 ± 1.5 respectively 31 ± 1	Applied in ISO 6042
1 400 × 600	1 400	600		
1 400 × 750	1 400	750		
1 400 × 900	1 400	900		
1 600 × 600	1 600	600		
1 600 × 750	1 600	750		
1 600 × 900	1 600	900		
1 800 × 600	1 800	600		
1 800 × 750	1 800	750		
1 800 × 900	1 800	900		—

**iTeh STANDARD PREVIEW**  
**(standards.iteh.ai)**

ISO 3796:1999

<https://standards.iteh.ai/catalog/standards/sist/f923644b-28d6-481d-bacd-f76112c250e7/iso-3796-1999>

**iTeh STANDARD PREVIEW**  
**(standards.iteh.ai)**

ISO 3796:1999

<https://standards.iteh.ai/catalog/standards/sist/f923644b-28d6-481d-bacd-f76112c250e7/iso-3796-1999>

---

---

**ICS 47.020.10**

Price based on 2 pages