



Standard Practice for Dehydration of Oil-Type Preservatives¹

This standard is issued under the fixed designation D 370; the number immediately following the designation indicates the year of original adoption or, in the case of revision, the year of last revision. A number in parentheses indicates the year of last reappraisal. A superscript epsilon (ϵ) indicates an editorial change since the last revision or reappraisal.

^{ε1} NOTE—Section 9, Precision and Bias, was removed editorially in May 2003.

1. Scope

1.1 This practice covers dehydrating oil-type preservatives. When a quantitative determination of the amount of water is desired, Test Method D 95 shall be used. Test Methods D 38 covers the sampling of wood preservatives prior to testing.

1.2 This standard does not purport to address all of the safety concerns, if any, associated with its use. It is the responsibility of the user of this standard to establish appropriate safety and health practices and determine the applicability of regulatory limitations prior to use.

2. Referenced Documents

2.1 ASTM Standards:

D 38 Test Methods for Sampling Wood Preservatives Prior to Testing²

D 95 Test Method for Water in Petroleum Products and Bituminous Materials by Distillation³

E 1 Specification for ASTM Thermometers⁴

3. Summary of Test Method

3.1 Water is removed from the preservative solution by distillation in a copper still.

4. Significance and Use

4.1 This is a practice for the preparation of oil-type preservatives to enable the results of distillation tests to be reported more accurately on a dry basis.

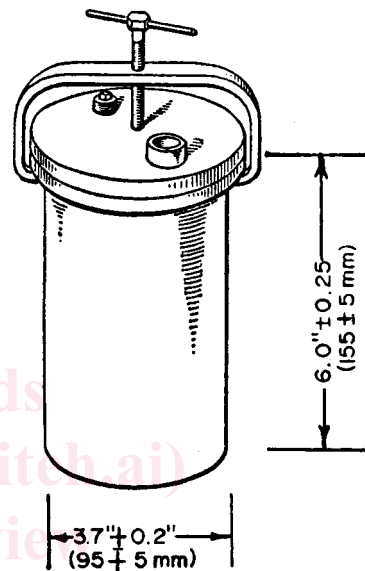


FIG. 1 Copper Still

5. Apparatus

5.1 Still

5.1 Still—A vertical, cylindrical copper still, with removable flanged top and yoke, of the form and approximate dimensions shown in Fig. 1.

5.2 Thermometer—An ASTM High Distillation Thermometer, total immersion, graduated in either Celsius or Fahrenheit degrees as specified, having a range from -2 to $+400^{\circ}\text{C}$ or 30 to 760°F , and conforming to the requirements for Thermometer 8C or 8F as prescribed in Specification E 1.

5.3 Condenser—A copper trough condenser, with straight-walled glass tube, having approximately the form and dimensions shown in Fig. 2.

5.4 Separatory Funnel, conforming to the requirements shown in Fig. 3. It shall have a total capacity of approximately 200 mL, with the lower 20 mL graduated accurately in 0.1 mL. The graduation marks shall be numbered for each millilitre. A separatory funnel of the Squibb type, having a capacity of approximately 100 mL, may be used.

¹ This practice is under the jurisdiction of ASTM Committee D07 on Wood and is the direct responsibility of Subcommittee D07.06 on Treatments for Wood Products.

Current edition approved Dec. 10, 2002. Published February 2003. Originally approved in 1933 as D 370 – 33 T. Last previous edition approved in 1995 as D 370 – 84 (1995)^{ε1}.

This practice is substantially in agreement with the Standard Method for the Determination of Water in Oil-Type Preservatives which is part of the American Wood-Preservers' Association Standard Methods for Analysis of Creosote and Oil-Type Preservatives (A1). Acknowledgement is made to the American Wood-Preservers' Association for its development of the subject matter covered in this standard.

² Annual Book of ASTM Standards, Vol 04.10.

³ Annual Book of ASTM Standards, Vol 05.01.

⁴ Annual Book of ASTM Standards, Vol 14.03.