
**Tools for pressing — Punch holder
shanks —**

**Part 1:
Type A**

Outillage de presse — Nez de presse —
Partie 1: Type A
(standards.iteh.ai)

ISO 10242-1:1998

<https://standards.iteh.ai/catalog/standards/sist/dfb58517-7270-4d66-84d1-d385cd19e4a9/iso-10242-1-1998>



Foreword

ISO (the International Organization for Standardization) is a worldwide federation of national standards bodies (ISO member bodies). The work of preparing International Standards is normally carried out through ISO technical committees. Each member body interested in a subject for which a technical committee has been established has the right to be represented on that committee. International organizations, governmental and non-governmental, in liaison with ISO, also take part in the work. ISO collaborates closely with the International Electrotechnical Commission (IEC) on all matters of electrotechnical standardization.

Draft International Standards adopted by the technical committees are circulated to the member bodies for voting. Publication as an International Standard requires approval by at least 75 % of the member bodies casting a vote.

International Standard ISO 10242-1 was prepared by Technical Committee ISO/TC 29, *Small tools*, Subcommittee SC 8, *Tools for pressing and moulding*.

This second edition cancels and replaces the first edition (ISO 10242-1:1991) which has been technically revised.

ISO 10242 consists of the following parts, under the general title *Tools for pressing — Punch holder shanks*:

- Part 1: Type A
- Part 2: Type C
- Part 3: Type D

iTeh STANDARD PREVIEW
(standards.iteh.ai)

Annex A of this part of ISO 10242 is for information only.

<https://standards.iteh.ai/catalog/standards/sist/dfb58517-7270-4d66-84d1-d385cd19e4a9/iso-10242-1-1998>

© ISO 1998

All rights reserved. Unless otherwise specified, no part of this publication may be reproduced or utilized in any form or by any means, electronic or mechanical, including photocopying and microfilm, without permission in writing from the publisher.

International Organization for Standardization
Case postale 56 • CH-1211 Genève 20 • Switzerland
Internet iso@iso.ch

Printed in Switzerland

Tools for pressing — Punch holder shanks —

Part 1: Type A

1 Scope

This part of ISO 10242 specifies the interchangeability dimensions and tolerances, in millimetres, of punch holder shanks with neck and flats, type A, intended for use in press tools.

It gives guidance on the materials, and specifies the hardness and designation of punch holder shanks.

2 Dimensions

See figure 1 and table 1.

iTeh STANDARD PREVIEW
(standards.iteh.ai)

3 Material and corresponding hardness

The material is left to the manufacturer's discretion but the hardness shall be at least 140 HB.
ISO 10242-1:1998
<https://standards.iteh.ai/catalog/standards/sist/dfb58517-7270-4d66-84d1-d385cd19e4a9/iso-10242-1-1998>

4 Designation

A punch holder shank in accordance with this part of ISO 10242 shall be designated by

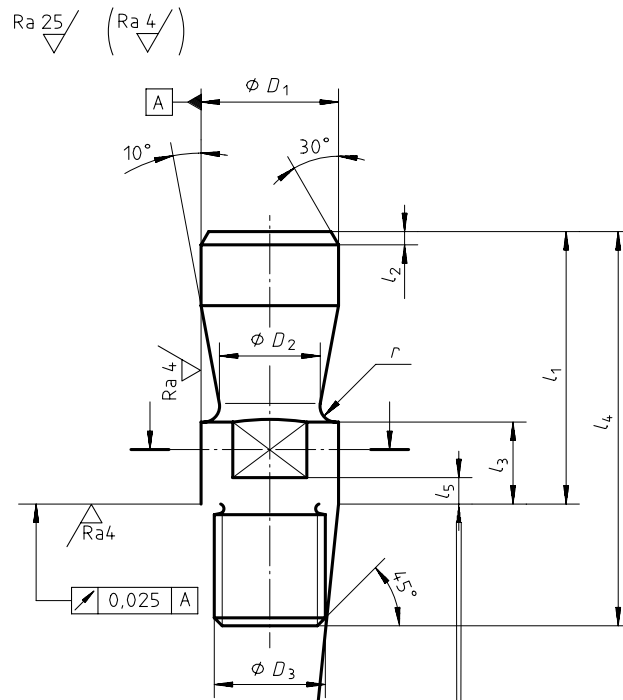
- a) "Punch holder shank";
- b) reference to this part of ISO 10242, i.e. ISO 10242-1;
- c) its type;
- d) its body diameter, D_1 , in millimetres;
- e) its nominal thread diameter, D_3 .

EXAMPLE

A punch holder shank of type A, of body diameter $D_1 = 20$ mm and of nominal thread diameter $D_3 = M16$ is designated as follows:

Punch holder shank ISO 10242-1 A-20 × M16

Surface roughness in micrometres



iTeh STANDARD PREVIEW
(standards.iteh.ai)

<https://standards.iteh.ai/catalog/standards/sist/dfb58517-7270-4d66-84d1-d385cd19e4a9/iso-10242-1-1998>

Figure 1 — Punch holder shank type A

Table 1

Dimensions in millimetres

D_1	D_2	$D_3 \times P$	l_1	l_2	l_3	l_4	l_5	r	s
f9		6g					± 1		
20	15	M16 × 1,5	40	2	12	58	4	2,5	17
25	20	M16 × 1,5 M20 × 1,5	45	2,5	16	68	6	2,5	21
32	25	M20 × 1,5 M24 × 1,5	56	3	16	79	6	2,5	27
40	32	M24 × 1,5 M27 × 2 M30 × 2	70	4	26	93	12	4	36
50	42	M30 × 2	80	5	26	108	12	4	41

Annex A
(informative)

Bibliography

[1] ISO 6506:1981, *Metallic materials — Hardness test — Brinell test.*

iTeh STANDARD PREVIEW
(standards.iteh.ai)

[ISO 10242-1:1998](https://standards.iteh.ai/catalog/standards/sist/dfb58517-7270-4d66-84d1-d385cd19e4a9/iso-10242-1-1998)

<https://standards.iteh.ai/catalog/standards/sist/dfb58517-7270-4d66-84d1-d385cd19e4a9/iso-10242-1-1998>

iTeh STANDARD PREVIEW
(standards.iteh.ai)

ISO 10242-1:1998

<https://standards.iteh.ai/catalog/standards/sist/dfb58517-7270-4d66-84d1-d385cd19e4a9/iso-10242-1-1998>

ICS 25.120.10

Descriptors: presses, tools, punch holders, shanks, specifications, dimensions, designation, interchangeability.

Price based on 3 pages
