



SLOVENSKI STANDARD SIST EN 2995-005:2009

01-junij-2009

Aeronavtika - Odklopniki, enopolni, temperaturno kompenzirani, nazivni tok od 1 A do 25 A - 005. del: S polariziranim signalnim kontaktom - Standard za proizvod

Aerospace series - Circuit breakers, single-pole, temperature compensated, rated current 1 A to 25 A - Part 005: With polarized signal contact - Product standard

Luft- und Raumfahrt - Schutzschalter, einpolig, Temperaturkompensiert, Nennströme von 1 A bis 25 A - Teil 005: Mit polarisiertem Signalkontakt - Produktnorm

Série aérospatiale - Disjoncteurs unipolaires compensés en température, intensités nominales 1 A à 25 A - Partie 005 : Avec contact de signalisation polarisé - Norme de produit

<https://standards.iteh.ai/catalog/standards/sist/9970c523-552c-4785-a181-8ceca2fe12f7/sist-en-2995-005-2009>

Ta slovenski standard je istoveten z: EN 2995-005:2006

ICS:

49.060 Štejni aparati in oprema za letalstvo in zračne sile Aerospace electric equipment and systems

SIST EN 2995-005:2009

en,de

iTeh STANDARD PREVIEW
(standards.iteh.ai)

SIST EN 2995-005:2009

<https://standards.iteh.ai/catalog/standards/sist/9970c523-552c-4785-a181-8ceca2fe12f7/sist-en-2995-005-2009>

EUROPEAN STANDARD
NORME EUROPÉENNE
EUROPÄISCHE NORM

EN 2995-005

August 2006

ICS 49.060

English Version

Aerospace series - Circuit breakers, single-pole, temperature compensated, rated current 1 A to 25 A - Part 005: With polarized signal contact - Product standard

Série aérospatiale - Disjoncteurs unipolaires compensés en température, intensités nominales 1 A à 25 A - Partie 005 : Avec contact de signalisation polarisé - Norme de produit

Luft- und Raumfahrt - Schutzschalter, einpolig, Temperaturkompensiert, Nennströme von 1 A bis 25 A - Teil 005: Mit polarisiertem Signalkontakt - Produktnorm

This European Standard was approved by CEN on 5 June 2006.

CEN members are bound to comply with the CEN/CENELEC Internal Regulations which stipulate the conditions for giving this European Standard the status of a national standard without any alteration. Up-to-date lists and bibliographical references concerning such national standards may be obtained on application to the Central Secretariat or to any CEN member.

This European Standard exists in three official versions (English, French, German). A version in any other language made by translation under the responsibility of a CEN member into its own language and notified to the Central Secretariat has the same status as the official versions.

CEN members are the national standards bodies of Austria, Belgium, Cyprus, Czech Republic, Denmark, Estonia, Finland, France, Germany, Greece, Hungary, Iceland, Ireland, Italy, Latvia, Lithuania, Luxembourg, Malta, Netherlands, Norway, Poland, Portugal, Romania, Slovakia, Slovenia, Spain, Sweden, Switzerland and United Kingdom.

<https://standards.iteh.ai/catalog/standards/sist/9970c523-552c-4785-a181-8ceca2fe12f7/sist-en-2995-005-2009>



EUROPEAN COMMITTEE FOR STANDARDIZATION
COMITÉ EUROPÉEN DE NORMALISATION
EUROPÄISCHES KOMITEE FÜR NORMUNG

Management Centre: rue de Stassart, 36 B-1050 Brussels

Contents

Page

Foreword.....	3
1 Scope	4
2 Normative references	4
3 Dimensions and mass.....	4
4 Characteristics	6
5 Designation	11
6 Rated current code	11
7 Delivery codes	11
8 Marking	12
9 Technical specification	12

iTeh STANDARD PREVIEW
(standards.iteh.ai)

[SIST EN 2995-005:2009](https://standards.iteh.ai/catalog/standards/sist/9970c523-552c-4785-a181-8ceca2fe12f7/sist-en-2995-005-2009)

<https://standards.iteh.ai/catalog/standards/sist/9970c523-552c-4785-a181-8ceca2fe12f7/sist-en-2995-005-2009>

Foreword

This European Standard (EN 2995-005:2006) has been prepared by the Aerospace and Defence Industries Association of Europe - Standardization (ASD-STAN).

After enquiries and votes carried out in accordance with the rules of this Association, this Standard has received the approval of the National Associations and the Official Services of the member countries of ASD, prior to its presentation to CEN.

This European Standard shall be given the status of a national standard, either by publication of an identical text or by endorsement, at the latest by February 2007, and conflicting national standards shall be withdrawn at the latest by February 2007.

Attention is drawn to the possibility that some of the elements of this document may be the subject of patent rights. CEN [and/or CENELEC] shall not be held responsible for identifying any or all such patent rights.

According to the CEN/CENELEC Internal Regulations, the national standards organizations of the following countries are bound to implement this European Standard: Austria, Belgium, Cyprus, Czech Republic, Denmark, Estonia, Finland, France, Germany, Greece, Hungary, Iceland, Ireland, Italy, Latvia, Lithuania, Luxembourg, Malta, Netherlands, Norway, Poland, Portugal, Romania, Slovakia, Slovenia, Spain, Sweden, Switzerland and the United Kingdom.

ITEH STANDARD PREVIEW
(standards.iteh.ai)

[SIST EN 2995-005:2009](https://standards.iteh.ai/catalog/standards/sist/9970c523-552c-4785-a181-8ceca2fe12f7/sist-en-2995-005-2009)

<https://standards.iteh.ai/catalog/standards/sist/9970c523-552c-4785-a181-8ceca2fe12f7/sist-en-2995-005-2009>

EN 2995-005:2006 (E)**1 Scope**

This standard specifies the characteristics of single-pole circuit breakers, temperature compensated with a rated current from 1 A to 25 A, used in aircraft on-board circuits at a temperature between $-55\text{ }^{\circ}\text{C}$ and $125\text{ }^{\circ}\text{C}$ and at a maximum altitude of $Z = 22\ 000\text{ m}$.

These circuit breakers are operated by a push-pull type single push button (actuator), with delayed action "trip-free" tripping with a polarized signal contact which is open when main contacts are closed, and inversely.

They will continue to function up to the short-circuit current.

2 Normative references

The following referenced documents are indispensable for the application of this document. For dated references, only the edition cited applies. For undated references, the latest edition of the referenced document (including any amendments) applies.

EN 2995-001, *Aerospace series – Circuit breakers, single-pole, temperature compensated, rated current 1 A to 25 A – Part 001: Technical specification.*

EN 3155-016, *Aerospace series – Electrical contacts used in elements of connection – Part 016: Contacts, electrical, male, type A, crimp, class S – Product standard.*

EN 3841-305, *Aerospace series – Circuit breakers – Test methods – Part 305: Short-circuit performance.*

EN 6113, *Aerospace series – Circuit breaker, connecting and attachment hardware.*¹⁾

TR 6083, *Aerospace series – Cut-outs for installation of electrical components.*²⁾
<https://standards.iteh.ai/catalog/standards/sist/9970c523-552c-4785-a181-8c6ca2fe12f7/sist-en-2995-005-2009>

MIL-I-81969/1A, *Installing and removal tools, connector electrical contact, type III, class 2, composition C.*³⁾

MIL-I-81969/14C, *Installing and removal tools, connector electrical contact, type III, class 2, composition B.*³⁾

MIL-S-19500, *Semiconductor device, diode, silicon, fast recovery.*³⁾

FED-STD-595B, *Colors used in Government Procurement.*

3 Dimensions and mass**3.1 Dimensional characteristics**

The circuit breakers do not have to correspond to the pictorial illustration, only the dimensions given shall be adhered to.

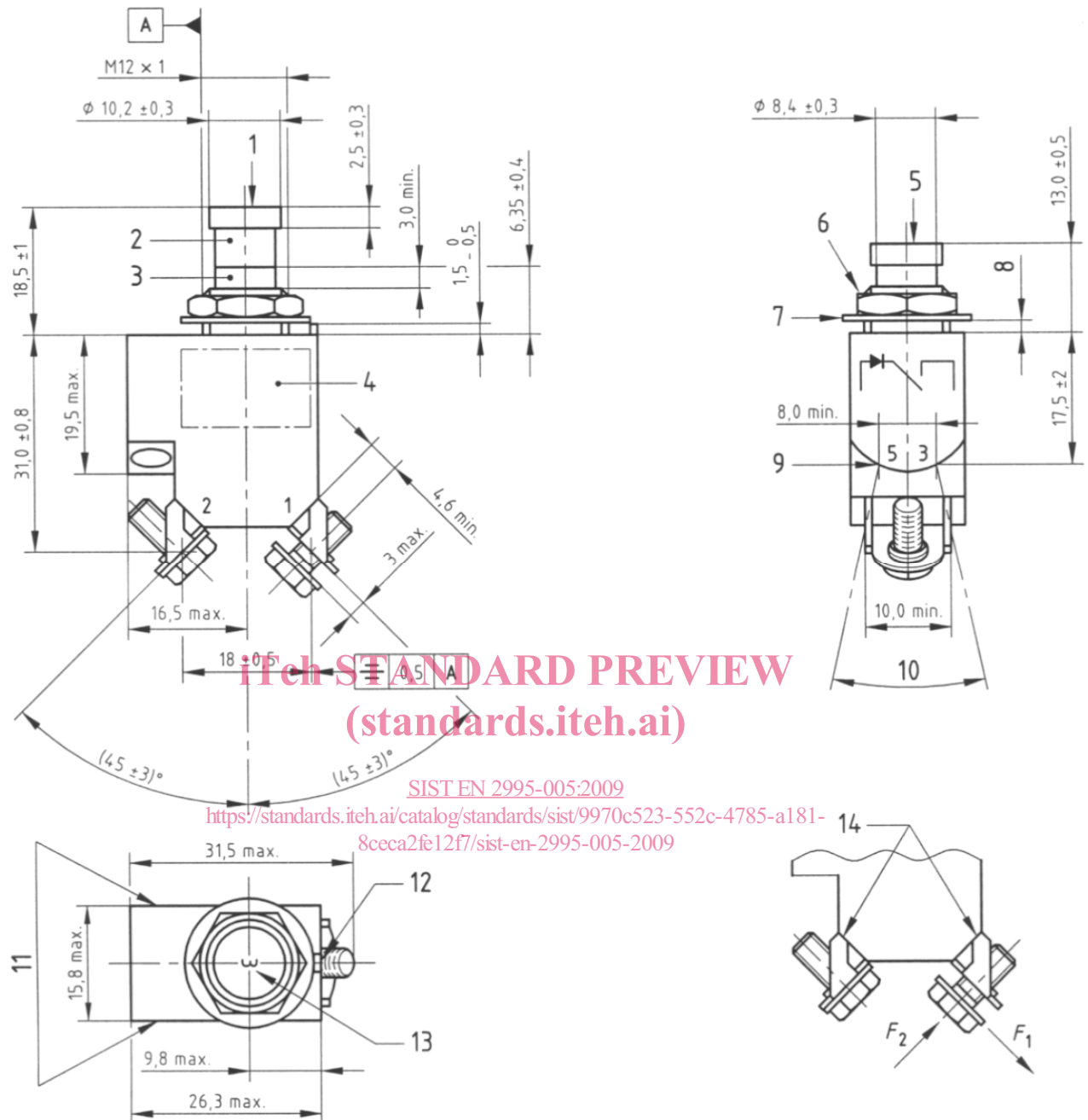
Dimensions are in millimetres.

See Figure 1.

1) Published as AECMA Prestandard at the date of publication of this standard.

2) Published as AECMA Technical Report at the date of publication of this standard.

3) Published by: Department of Defense (DOD), the Pentagon, Washington D.C. 20301 USA.

**Key**

- | | |
|--|--|
| 1 Push button released | 9 Gauge 20 connection pins according to EN3155-016M2018 |
| 2 Green colour according to FED-STD-595B No. 34090 | 10 Indicative value 25° (see note) |
| 3 White | 11 Marking, see Clause 6. |
| 4 Marking area, see Clause 8. | 12 Positioning lug in accordance with the panel cut-out, as per TR6083C202 |
| 5 Push button pressed | 13 Rated current marking (white on green) |
| 6 Attachment nut | 14 Terminals shape free |
| 7 Lockwasher | |
| 8 1,0 to 3,0 max. | |

F1 and **F2**: see EN 2995-001, Table 3.

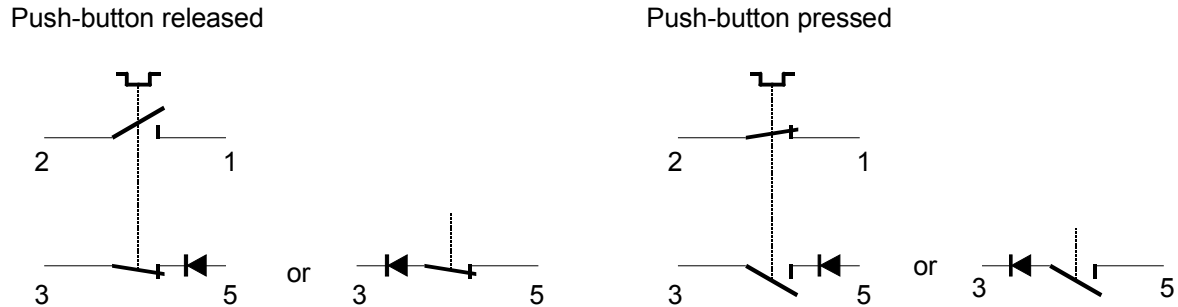
NOTE Tools noted in subclause 4.2.4 shall be applied without interfering with the terminal 2 connection. Even if circuit breakers are grouped.

EN 2995-005:2006 (E)

Figure 1 — Configuration – Dimensions – Tolerances

3.2 Electrical diagram

See Figure 2.

**Terminal No.:**

1 and 2: Main contacts

3 and 5: Signal contacts

Figure 2 — Electrical diagram

3.3 Mass

28 g max. (delivery code A including hardware).

3.4 Panel mounting

See EN 2995-001.

STANDARD PREVIEW
(standards.iteh.ai)
SIST EN 2995-005:2009
<https://standards.iteh.ai/catalog/standards/sist/9970c523-552c-4785-a181-8ceca2fe12f7/sist-en-2995-005-2009>

4 Characteristics

4.1 Material, surface treatment

See EN 2995-001.

4.2 Mechanical characteristics

4.2.1 Fasteners

See EN 6113.

4.2.2 Recommended tightening torque of attaching nut for installation

(4,75 ± 0,25) Nm

4.2.3 Recommended tightening torque of connection hardware for installation

(1,6 ± 0,1) Nm

4.2.4 Recommended tools for contacts of auxiliary contact insertion and extraction

- plastic MIL-I-81969/14-11;
- metallic MIL-I-81969/1-02.

4.2.5 Resistance to vibrations**4.2.5.1 Combined test: ambient temperature at 70 °C and vibrations**

Sinusoidal: 10 g_n , see EN 2995-001.

Random: 5,8 g_n , see EN 2995-001.

Low frequencies: 10 g_n , see EN 2995-001.

4.2.5.2 Combined test: ambient temperature at 85 °C, altitude and vibrations

Sinusoidal: 3 g_n , see EN 2995-001.

4.2.6 Resistance to shocks

50 g_n , see EN 2995-001.

4.2.7 Mechanical endurance

See Table 6.

4.3 Environment characteristics**4.3.1 Humidity**

See EN 2995-001.

iTeh STANDARD PREVIEW
(standards.iteh.ai)

4.3.2 Corrosion

See EN 2995-001. <https://standards.iteh.ai/catalog/standards/sist/9970c523-552c-4785-a181-8ceca2fe12f7/sist-en-2995-005-2009>

4.3.3 Contaminating liquids

See EN 2995-001.

4.3.4 Overvoltage caused by lightning

See EN 2995-001.

4.4 Electrical characteristics**4.4.1 Nominal voltages of main contacts**

See Table 1.

Table 1

Nominal voltages	28 V d.c.
	26 V a.c., 360 Hz to 800 Hz
	115 V a.c., 360 Hz to 800 Hz