



SLOVENSKI STANDARD
SIST EN 14528:2007

01-julij-2007

BUXca Yý U
SIST EN 14528:2005

Bideji - Funkcionalne zahteve in preskusne metode

Bidets - Functional requirements and test methods

Sitzwaschbecken - Funktionsanforderungen und Prüfverfahren

Bidets - Prescriptions fonctionnelles et méthodes d'essai

iTeh STANDARD PREVIEW
(standards.iteh.ai)

Ta slovenski standard je istoveten z: EN 14528:2007

<https://standards.iteh.ai/catalog/standards/sist/ad22eace-a39f-49f0-92e4-e263e20a45e7/sist-en-14528-2007>

ICS:

91.140.70 Sanitarne naprave Sanitary installations

SIST EN 14528:2007 **en;fr;de**

iTeh STANDARD PREVIEW
(standards.iteh.ai)

SIST EN 14528:2007

<https://standards.iteh.ai/catalog/standards/sist/ad22eace-a39f-49f0-92e4-c263c20a45e7/sist-en-14528-2007>

English Version

Bidets - Functional requirements and test methods

Bidets - Prescriptions fonctionnelles et méthodes d'essai

Sitzwaschbecken - Funktionsanforderungen und
Prüfverfahren

This European Standard was approved by CEN on 24 February 2007.

CEN members are bound to comply with the CEN/CENELEC Internal Regulations which stipulate the conditions for giving this European Standard the status of a national standard without any alteration. Up-to-date lists and bibliographical references concerning such national standards may be obtained on application to the CEN Management Centre or to any CEN member.

This European Standard exists in three official versions (English, French, German). A version in any other language made by translation under the responsibility of a CEN member into its own language and notified to the CEN Management Centre has the same status as the official versions.

CEN members are the national standards bodies of Austria, Belgium, Bulgaria, Cyprus, Czech Republic, Denmark, Estonia, Finland, France, Germany, Greece, Hungary, Iceland, Ireland, Italy, Latvia, Lithuania, Luxembourg, Malta, Netherlands, Norway, Poland, Portugal, Romania, Slovakia, Slovenia, Spain, Sweden, Switzerland and United Kingdom.

ITih STANDARD PREVIEW
(standards.iteh.ai)

[SIST EN 14528:2007](https://standards.iteh.ai/catalog/standards/sist/ad22eace-a39f-49f0-92e4-c263c20a45e7/sist-en-14528-2007)

<https://standards.iteh.ai/catalog/standards/sist/ad22eace-a39f-49f0-92e4-c263c20a45e7/sist-en-14528-2007>



EUROPEAN COMMITTEE FOR STANDARDIZATION
COMITÉ EUROPÉEN DE NORMALISATION
EUROPÄISCHES KOMITEE FÜR NORMUNG

Management Centre: rue de Stassart, 36 B-1050 Brussels

Contents

	Page
Foreword.....	3
1 Scope	4
2 Normative references	4
3 Terms and definitions	4
4 Requirements	5
4.1 Connecting dimensions	5
4.2 Load stability.....	5
4.3 Cleanability.....	5
4.4 Protection against overflowing	5
4.4.1 Bidets with overflow	5
4.4.2 Bidets without overflow	6
4.5 Durability	6
5 Test methods.....	6
5.1 General.....	6
5.2 Static load test	6
5.3 Cleanability.....	8
5.4 Determination of flow rate of overflow	8
6 Marking and product designation	8
7 Evaluation of conformity.....	9
7.1 General.....	9
7.2 Type testing	9
7.2.1 Initial type testing	9
7.2.2 Further type testing	10
7.2.3 Sample, testing and compliance criteria.....	10
7.3 Factory production control (FPC)	10
7.3.1 General.....	10
7.3.2 Testing equipment.....	10
7.3.3 Raw materials and components.....	10
7.3.4 Product testing and assessment	10
7.3.5 Non-conforming products	10
Annex ZA (informative) Clauses of this European Standard addressing the provisions of EU Construction Products Directive.....	11
ZA.1 Scope and relevant characteristics	11
ZA.2 Procedure for attestation of conformity of bidets.....	12
ZA.2.1 System of attestation of conformity	12
ZA.2.2 Declaration of conformity	12
ZA.3 CE marking and labelling.....	13
Bibliography	14

Foreword

This document (EN 14528:2007) has been prepared by Technical Committee CEN/TC 163 "Sanitary appliances", the secretariat of which is held by UNI.

This European Standard shall be given the status of a national standard, either by publication of an identical text or by endorsement, at the latest by October 2007, and conflicting national standards shall be withdrawn at the latest by January 2009.

This document supersedes EN 14528:2005.

This standard is one of a series of harmonized standards for sanitary appliances which have been prepared under the Mandate M/110 "Sanitary Appliances" which was given to CEN by the European Commission and the European Free Trade Association to allow CE marking under the Construction Products Directive (89/106/EEC).

For relationship with EU Directive(s), see informative Annex ZA, which is an integral part of this document.

The main reason for the revision of standard is the incorporation of the overflow requirement according to the amendment to Mandate M/110 and of the new designation and marking approach according to latest decisions taken by CEN/TC 163.

According to the CEN/CENELEC Internal Regulations, the national standards organizations of the following countries are bound to implement this European Standard: Austria, Belgium, Bulgaria, Cyprus, Czech Republic, Denmark, Estonia, Finland, France, Germany, Greece, Hungary, Iceland, Ireland, Italy, Latvia, Lithuania, Luxembourg, Malta, Netherlands, Norway, Poland, Portugal, Romania, Slovakia, Slovenia, Spain, Sweden, Switzerland and United Kingdom.

<https://standards.iteh.ai/catalog/standards/sist/ad22eace-a39f-49f0-92e4-c263c20a45e7/sist-en-14528-2007>

1 Scope

This European Standard specifies the functional requirements and test methods for bidets used for domestic purposes and made from either ceramics or stainless steel.

NOTE 1 All drawings are examples only, other forms are permissible.

NOTE 2 For the purposes of this standard the term 'domestic purposes' includes use in hotels, accommodation for students, hospitals and similar buildings, except when special medical provisions are required.

2 Normative references

The following referenced documents are indispensable for the application of this standard. For dated references, only the edition cited applies. For undated references, the latest edition of the referenced document (including any amendments) applies.

EN 35, *Pedestal bidets with over-rim supply — Connecting dimensions*

EN 36, *Wall hung bidets with over-rim supply — Connecting dimensions*

3 Terms and definitions

For the purposes of this document, the following terms and definitions apply.

3.1

bidet

sanitary appliance for washing the genital area whilst seated

NOTE See Figures 1 and 2

iTeh STANDARD PREVIEW
(standards.iteh.ai)

SIST EN 14528:2007
<https://standards.iteh.ai/catalog/standards/sist/ad22eace-a39f-49f0-92e4-c263c20a45e7/sist-en-14528-2007>

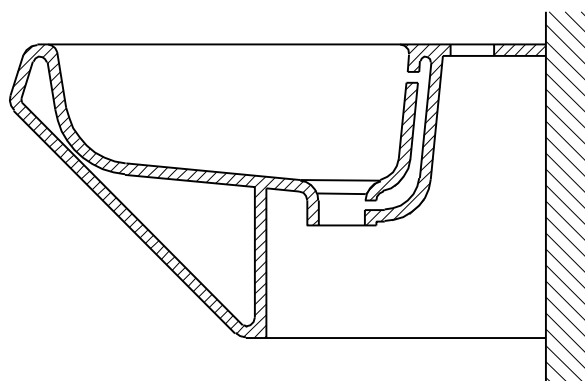


Figure 1 — Wall-hung bidet

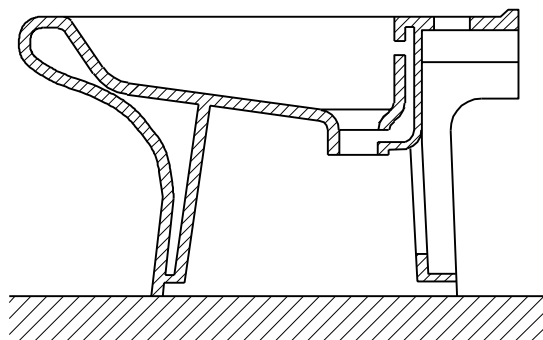


Figure 2 — Pedestal bidet

3.2 cleanability

characteristic which allows surfaces intended to come into contact with water to be visibly smooth, non-absorbent and free from unacceptable internal corners, such that they can be kept visibly free from dirt and/or stains when subject to a regular maintenance regime, which may include, when appropriate, specific instructions for use and care, as specified by the manufacturer

4 Requirements

4.1 Connecting dimensions

The connecting dimensions for the supply and outlet fitting shall conform to the standards specified in Table 1, or the manufacturer shall either supply or recommend appropriate fittings.

[SIST EN 14528:2007](https://standards.iteh.ai/catalog/standards/sist/ad22eace-a39f-49f0-92e4-c265c20a45c7/sist-en-14528-2007)

<https://standards.iteh.ai/catalog/standards/sist/ad22eace-a39f-49f0-92e4-c265c20a45c7/sist-en-14528-2007>

Table 1 — Standards for connecting dimensions

Bidet	Standard
Pedestal bidet	EN 35
Wall-hung bidet	EN 36

4.2 Load stability

When tested in accordance with 5.2, stainless steel and all wall-hung bidets shall withstand a force of $(4,00 \pm 0,1)$ kN without showing any evidence of cracking and/or permanent deformation.

4.3 Cleanability

When tested in accordance with 5.3, bidets shall have smooth and readily cleansed non-absorbent functional surfaces which are free from acute internal corners which would be difficult to clean, i.e. surfaces intended to or likely to come into contact with water during use.

NOTE Functional surfaces do not include inlet and outlet holes, outlet grills etc.

4.4 Protection against overflowing

4.4.1 Bidets with overflow

Every bidet shall be protected against overflowing.

When tested in accordance with 5.4, the flow rate of the overflow shall not be less than the values given Table 2.

Table 2 — Flow rates of overflow

Overflow class	Overflow rate l/s
CL 25	0,25
CL 20	0,20
CL 15	0,15
CL 00	See 4.4.2

4.4.2 Bidets without overflow

A bidet with a non-closable outlet or a floor gully may also be used as a protection against overflowing. In this case the bidet is related to class CL 00.

4.5 Durability

Products conforming to the requirements of 4.2 to 4.4 are deemed to be durable.

5 Test methods

5.1 General

All tests shall be carried out on the same sample bidet.

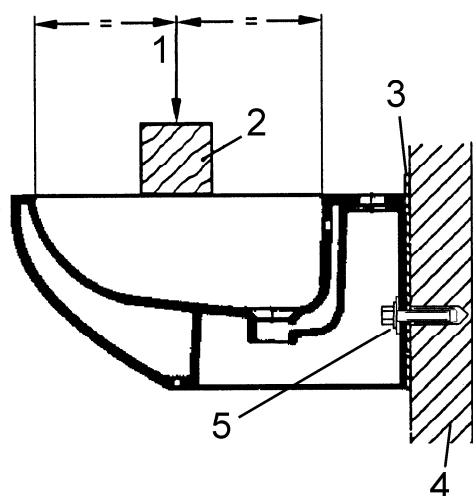
Install the bidet to be tested on a firm flat horizontal or vertical surface as appropriate with a layer of mortar or other material to accommodate any unevenness.

iTeh STANDARD PREVIEW
(standards.iteh.ai)

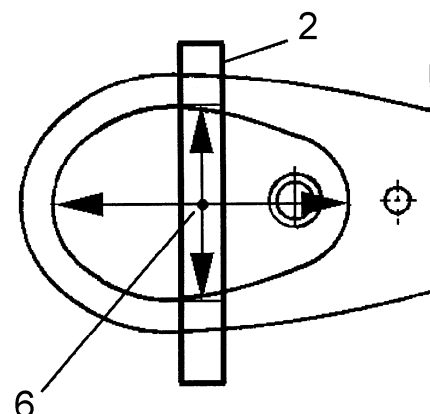
SIST EN 14528:2007
iteh.ai/catalog/standards/sist/ad22eace-a39f-49f0-92e4-c263c20a45e7/sist-en-14528-2007

5.2 Static load test

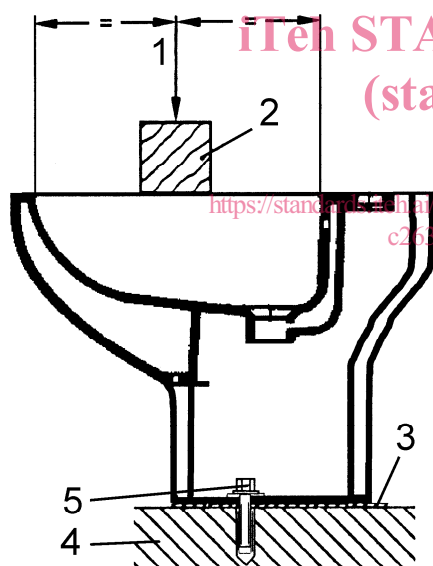
- The bidet shall be fixed in accordance with the manufacturer's instruction onto a smooth surface with a layer of mortar or other facing material used for pointing between the back of the bidet and the smooth surface.
- Gradually apply a force of $(4,00 \pm 0,1)$ kN on top of a wooden beam with a cross section of 100 mm × 100 mm positioned across the geometric centre of the bowl of the bidet parallel to the wall (see Figure 3). Allow the force to remain in position for a period of 1 h.
- Record any failure to comply with 4.2. Any distortion at the points of direct loading shall not constitute a failure.



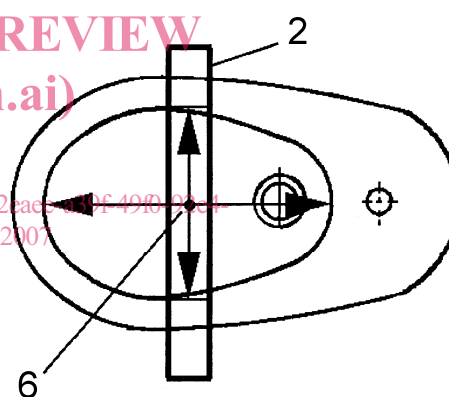
a) testing the wall-hung bidets – lateral view



b) testing the wall-hung bidets – upper view



c) testing the pedestal bidets – lateral view



d) testing the pedestal bidets – upper view

Key

- 1 load ($4,0 \pm 0,1$) kN
- 2 wooden beam with cross-section 100 mm \times 100 mm of adequate length
- 3 compensation layer
- 4 wall or floor
- 5 threaded rod, nut and flexible washer (maximum torque 5 Nm)
- 6 geometric centre of bowl

Figure 3 — Load test