

INTERNATIONAL STANDARD

ISO 240

Second edition
1994-10-01

Milling cutters — Interchangeability dimensions for cutter arbors or cutter mandrels

iTeh STANDARD PREVIEW

*Fraises à métaux — Dimensions d'interchangeabilité avec les arbres
porte-fraises ou les mandrins porte-fraise*

ISO 240:1994

<https://standards.iteh.ai/catalog/standards/sist/af011eb2-d2ff-4a6a-9f40-a76673f283b4/iso-240-1994>



Reference number
ISO 240:1994(E)

Foreword

ISO (the International Organization for Standardization) is a worldwide federation of national standards bodies (ISO member bodies). The work of preparing International Standards is normally carried out through ISO technical committees. Each member body interested in a subject for which a technical committee has been established has the right to be represented on that committee. International organizations, governmental and non-governmental, in liaison with ISO, also take part in the work. ISO collaborates closely with the International Electrotechnical Commission (IEC) on all matters of electrotechnical standardization.

Draft International Standards adopted by the technical committees are circulated to the member bodies for voting. Publication as an International Standard requires approval by at least 75 % of the member bodies casting a vote.

International Standard ISO 240 was prepared by Technical Committee ISO/TC 29, *Small tools*, Subcommittee SC 7, *Milling cutters and milling machine accessories*.

This second edition cancels and replaces the first edition (ISO 240:1975), which has been technically revised.

Annex A of this International Standard is for information only.

© ISO 1994

All rights reserved. Unless otherwise specified, no part of this publication may be reproduced or utilized in any form or by any means, electronic or mechanical, including photocopying and microfilm, without permission in writing from the publisher.

International Organization for Standardization
Case Postale 56 • CH-1211 Genève 20 • Switzerland

Printed in Switzerland

Milling cutters — Interchangeability dimensions for cutter arbors or cutter mandrels

1 Scope

This International Standard specifies the dimensions for interchangeability between the cutter and the arbor or mandrel, i.e. the diameter of the bore and the arbor or mandrel and elements of the drive, whether by keying or tenon.

It applies to all types of milling cutters mounted on cutter arbors or mandrels.

Two groups of tables have been established, relating respectively to the key drive and the tenon drive.

Tables giving the conversion of the metric values into inches are given in annex A.

2 Key drive

See figure 1 and table 1.

3 Tenon drive

See figure 2 and table 2.

ISO 240:1994
<https://standards.iteh.ai/catalog/standards/sist/af011eb2-d2ff-4a6a-9f40-a76673f283b4/iso-240-1994>

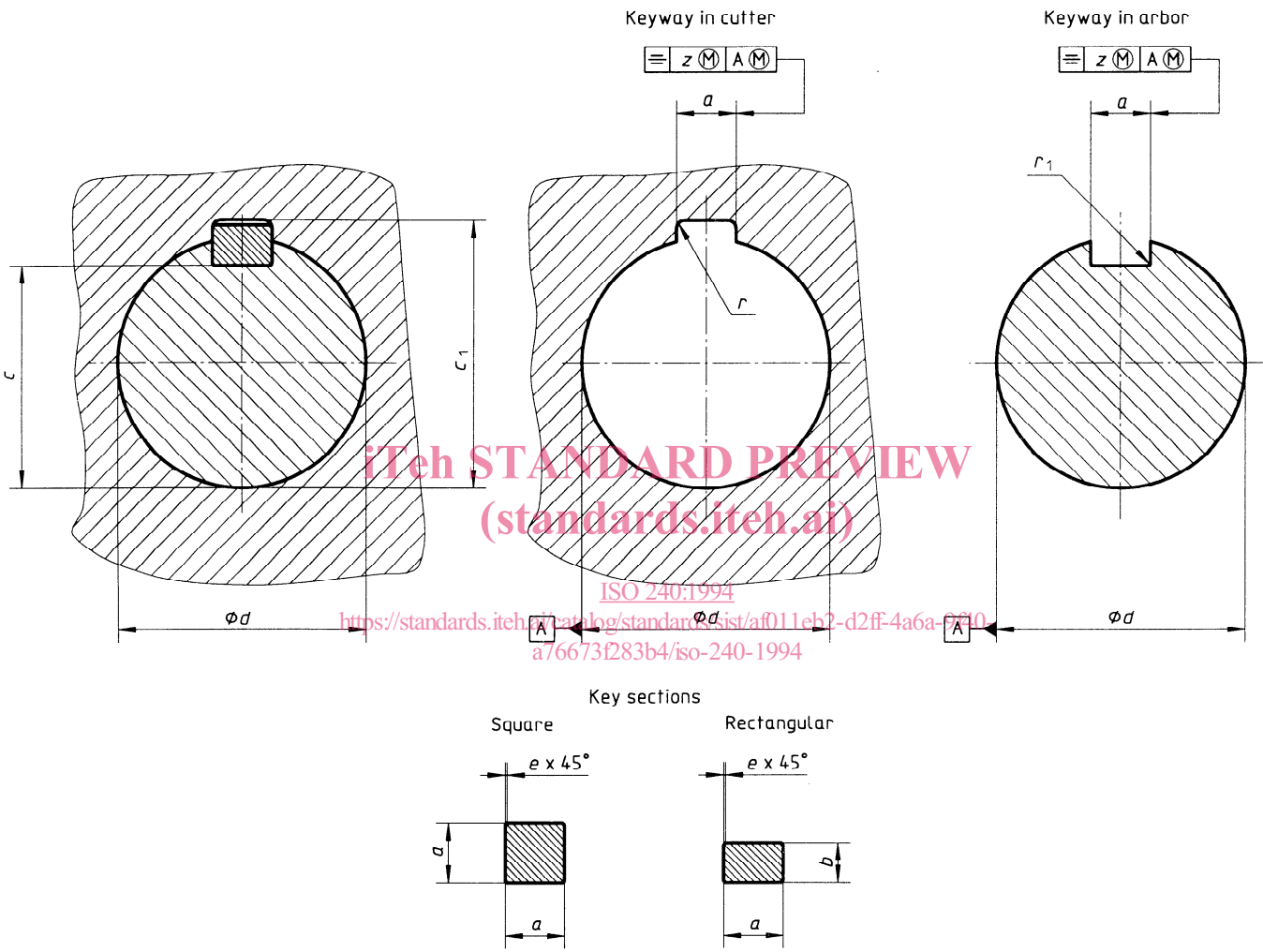


Figure 1

Table 1

Dimensions in millimetres

d 1)	a 1)	b h11	c		c ₁		e		r		r ₁		z
			nom.	tol.	nom.	tol.	nom.	tol.	nom.	tol.	nom.	tol.	
8	2	X	6,7	0 -0,1	8,9	+0,1 0	0,16	+0,09 0	0,4	0 -0,1	0,16	0 -0,08	0,03
10	3		8,2		11,5								
13	3		11,2		14,6								
16	4		13,2		17,7		0,6	0 -0,2					
19	5		15,6		21,1								
22	6		17,6		24,1		0,25	+0,15 0	1	0 -0,3	0,25	0 -0,09	
27	7		22		29,8								
32	8	7	27	0 -0,2	+0,2 0	1,2	0 -0,5	0,4	0 0,15	0,045			
40	10	8	34,5										
50	12	8	44,5										
60	14	9	54			0,4	+0,2 0	1,6	0 -0,5				
70	16	10	63,5										
80	18	11	73			2	0 -0,5						
100	25	14	91					0,6	2,5		0,6	0 -0,2	

1) Tolerances

— on *d* (except for gear hobs)
 on the arbor: h6
 on the cutter: H7

— on *a*
 for keyway in arbor:
 free keying: H9
 close keying: N9
 for keyway in cutter: C11
 key: h9

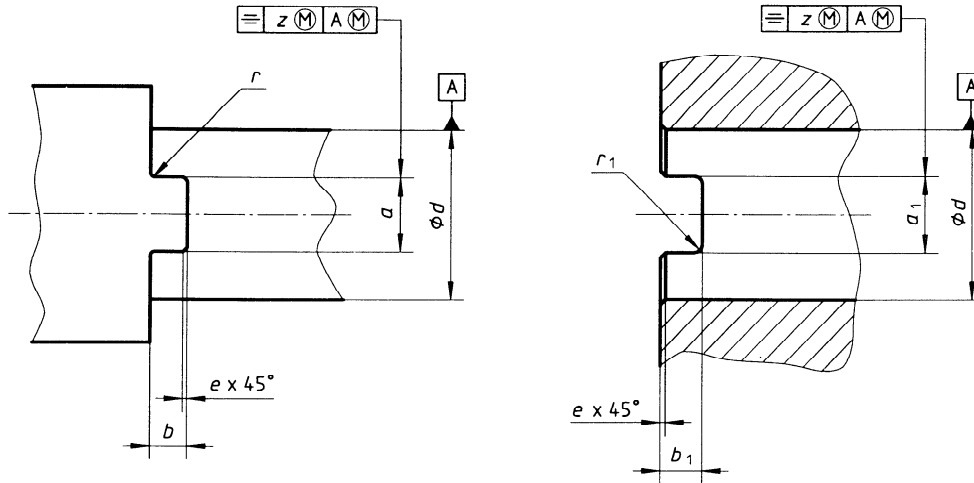


Figure 2

Table 2

Dimensions in millimetres

d 1)	Arbor			Cutter			e		z
	a h11	b h11	r max.	a ₁ H11	b ₁ H13	r ₁ max.	nom.	tol.	
5	3	2	0,3	3,3	2,5	0,6	0,3	+0,1 0	0,15
8	5	3,5	0,4	5,4	4	0,8	0,4		
10	6	4	0,5	6,4	4,5	1	0,5		
13	8	4,5	0,6	8,4	5,6	1,2	0,6	+0,2 0	0,2
16		5		10,4	6,3				
19	10	5,6	0,8	12,4	7	1,6	0,8		
22				14,4	8				
27	12	6,3	1	16,4	9	2	1	+0,3 0	
32	14	7		18,4	10				
40	16	8	1	20,5	11,2	2	1	+0,3 0	
50	18	9		20,5	11,2				
60	20	10	1	20,5	11,2	2	1	0	0,25

1) Tolerances on d (except for gear hobs)

on the arbor: h6
on the cutter: H7

Annex A (informative)

Conversion from metric series to inches

A.1 Key drive

See figure 1 and table A.1.

Table A.1

Dimensions en inches

Designation	<i>d</i>	<i>a</i>	<i>b</i>	<i>c</i>		<i>c</i> ₁		<i>e</i>		<i>r</i>		<i>r</i> ₁		<i>z</i>	
	1)	1)		nom.	tol.	nom.	tol.	nom.	tol.	nom.	tol.	nom.	tol.		
8	0,314 9	0,079		0,264		0,350									
10	0,393 7	0,118		0,323		0,453				0,016	⁰ _{-0,004}				0,001 2
13	0,511 8	0,118		0,441		0,575			0,006	^{+0,004} ₀			0,006	⁰ _{-0,003}	
16	0,629 9	0,157		0,520		0,697					0,024	⁰ _{-0,008}			
19	0,748 0	0,197		0,614		0,831									0,001 4
22	0,866 1	0,236		0,693		0,949									
27	1,063 0	0,276		0,866		1,173			0,010	^{+0,006} ₀			0,010	⁰ _{-0,004}	
32	1,259 8	0,315		0,276	1,063		1,370				0,047				0,001 6
40	1,574 8	0,394	0,315	1,358		1,713									
50	1,968 5	0,472	0,315	1,752		2,106									
60	2,362 2	0,551	0,354	2,126	⁰ _{-0,008}	2,528	^{+0,008} ₀	0,016				0,016	⁰ _{-0,006}	0,001 8	
70	2,755 9	0,630	0,394	2,500		2,953									
80	3,149 6	0,709	0,433	2,874		3,366					0,079	⁰ _{-0,020}			
100	3,937 0	0,984	0,551	3,583		4,213		0,024			0,098		0,024	⁰ _{-0,008}	0,002 2

1) Tolerances: direct conversion into inches of the metric values of the tolerances h6, h9, h11, H7, H9, N9 and C11.

A.2 Tenon drive

See figure 2 and table A.2.

Table A.2

Dimensions in inches

Designation	d 1)	Arbor			Cutter			e		z
		a 1)	b 1)	r max.	a_1 1)	b_1 1)	r_1 max.	nom.	tol.	
5	0,196 8	0,118	0,079	0,012	0,130	0,099	0,020	0,012	+0,004 0	0,006
8	0,314 9	0,197	0,138	0,016	0,213	0,158		0,016		0,020
10	0,393 7	0,236	0,157	0,020	0,252	0,177	0,030			
13	0,511 8	0,315	0,177		0,024	0,331	0,197	0,040	0,024	+0,008 0
16	0,629 9		0,197	0,248			0,050			
19	0,748 0	0,394	0,220	0,031	0,488	0,276	0,060	0,031	+0,012 0	0,01
22	0,866 1									
27	1,063 0	0,472	0,248	0,039	0,646	0,355	0,080	0,039	+0,012 0	0,01
32	1,259 8	0,551	0,276							
40	1,574 8	0,630	0,315	0,807	0,441	0,080	0,039	+0,012 0	0,01	
50	1,968 5	0,709	0,354							
60	2,362 2	0,787	0,394							

1) Tolerances: direct conversion into inches of the metric values of the tolerances h6, h11, H7, H11 and H13.

iTeh STANDARD PREVIEW
This page intentionally left blank
(standards.iteh.ai)

ISO 240:1994

<https://standards.iteh.ai/catalog/standards/sist/af011eb2-d2ff-4a6a-9f40-a76673f283b4/iso-240-1994>