



SLOVENSKI STANDARD
SIST EN 15583-1:2009

01-september-2009

Oprema za zimsko vzdrževalna dela - Snežni plugi - 1. del: Opis proizvoda in zahteve

Winter maintenance equipment - Snow ploughs - Part 1: Product description and requirements

Winterdienstausrüstung - Schneepflüge - Teil 1: Produktbeschreibung und Anforderungen

Matériels de viabilité hivernale - Lames de déneigement - Partie 1: Description du produit et exigences

iTeh STANDARD PREVIEW
(standards.iteh.ai)
<https://standards.iteh.ai/catalog/standards/sist/0c5833c9-d1f6-4079-83b4-91a96ee0ee31/sist-en-15583-1-2009>

Ta slovenski standard je istoveten z: EN 15583-1:2009

ICS:

43.160 Vozila za posebne namene Special purpose vehicles

SIST EN 15583-1:2009

en

iTeh STANDARD PREVIEW
(standards.iteh.ai)

SIST EN 15583-1:2009

<https://standards.iteh.ai/catalog/standards/sist/0c5833c9-d1f6-4079-83b4-91a96ee0ee31/sist-en-15583-1-2009>

EUROPEAN STANDARD

EN 15583-1

NORME EUROPÉENNE

EUROPÄISCHE NORM

June 2009

ICS 43.160

English Version

Winter maintenance equipment - Snow ploughs - Part 1: Product description and requirements

Matériels de viabilité hivernale - Lames de déneigement -
Partie 1: Description du produit et exigences

Winterdienstausrüstung - Schneepflüge - Teil 1:
Produktbeschreibung und Anforderungen

This European Standard was approved by CEN on 6 May 2009.

CEN members are bound to comply with the CEN/CENELEC Internal Regulations which stipulate the conditions for giving this European Standard the status of a national standard without any alteration. Up-to-date lists and bibliographical references concerning such national standards may be obtained on application to the CEN Management Centre or to any CEN member.

This European Standard exists in three official versions (English, French, German). A version in any other language made by translation under the responsibility of a CEN member into its own language and notified to the CEN Management Centre has the same status as the official versions.

CEN members are the national standards bodies of Austria, Belgium, Bulgaria, Cyprus, Czech Republic, Denmark, Estonia, Finland, France, Germany, Greece, Hungary, Iceland, Ireland, Italy, Latvia, Lithuania, Luxembourg, Malta, Netherlands, Norway, Poland, Portugal, Romania, Slovakia, Slovenia, Spain, Sweden, Switzerland and United Kingdom.

[SIST EN 15583-1:2009](https://standards.iteh.ai/catalog/standards/sist/0c5833c9-d1f6-4079-83b4-91a96ee0ee31/sist-en-15583-1-2009)

<https://standards.iteh.ai/catalog/standards/sist/0c5833c9-d1f6-4079-83b4-91a96ee0ee31/sist-en-15583-1-2009>



EUROPEAN COMMITTEE FOR STANDARDIZATION
COMITÉ EUROPÉEN DE NORMALISATION
EUROPÄISCHES KOMITEE FÜR NORMUNG

Management Centre: Avenue Marnix 17, B-1000 Brussels

Contents

Page

Foreword.....	3
1 Scope	4
2 Normative references	4
3 Terms and definitions	4
4 Requirements	5
4.1 General.....	5
4.2 Dimensions.....	5
4.3 Override protection for front-mounted snow ploughs.....	9
4.4 Override protection for front-mounted ice scrapers.....	9
4.5 Bump protection of side-mounted snow ploughs.....	10
4.6 Side reverse of front-mounted snow ploughs.....	10
4.7 Side reverse of front-mounted variable V-Ploughs.....	10
4.8 Side reverse of front-mounted ice scrapers.....	10
4.9 Raising and lowering of snow ploughs.....	10
4.10 Plough support	12
4.11 Drive by hydraulic equipment of carrier vehicle.....	12
4.12 Repair and maintenance	12
4.13 Outdoor storing.....	12
4.14 Side-fenders	12
4.15 Scraper blades	12
4.16 Demounting equipment.....	12
4.17 Operating manual	12

Figures

Figure 1 — Front-mounted snow plough	5
Figure 2 — Side-mounted snow plough.....	6
Figure 3 — Variable V-plough.....	7
Figure 4 — Raising and lowering for snow plough.....	11

Tables

Table 1 — Dimensions of snow plough ready for use.....	7
Table 2 — Dimensions of snow plough ready for use.....	11

Foreword

This document (EN 15583-1:2009) has been prepared by Technical Committee CEN/TC 337 "Winter maintenance and road service area maintenance equipment", the secretariat of which is held by AFNOR.

This European Standard shall be given the status of a national standard, either by publication of an identical text or by endorsement, at the latest by December 2009, and conflicting national standards shall be withdrawn at the latest by December 2009.

Attention is drawn to the possibility that some of the elements of this document may be the subject of patent rights. CEN [and/or CENELEC] shall not be held responsible for identifying any or all such patent rights.

This document is one part of the series of co-ordinated standards of EN 15583 about "Winter maintenance equipment — Snow ploughs" comprising the other following part:

— *Part 2: Testing conditions* (in preparation).

According to the CEN/CENELEC Internal Regulations, the national standards organizations of the following countries are bound to implement this European Standard: Austria, Belgium, Bulgaria, Cyprus, Czech Republic, Denmark, Estonia, Finland, France, Germany, Greece, Hungary, Iceland, Ireland, Italy, Latvia, Lithuania, Luxembourg, Malta, Netherlands, Norway, Poland, Portugal, Romania, Slovakia, Slovenia, Spain, Sweden, Switzerland and the United Kingdom.

(standards.iteh.ai)

SIST EN 15583-1:2009

<https://standards.iteh.ai/catalog/standards/sist/0c5833c9-d1f6-4079-83b4-91a96ee0ee31/sist-en-15583-1-2009>

EN 15583-1:2009 (E)**1 Scope**

This document is valid for snow ploughs designed to be fitted to winter maintenance vehicles, on their front-mounting plates according to EN 15432 and also for side-mounted snow ploughs.

Demands on design and construction of front-mounted or side-mounted snow ploughs for winter service are determined by this document. This document is meant to assess the demands made on snow ploughs operated in traffic.

The document is valid for:

- single-side snow ploughs;
- variable V-ploughs.

The following points are not standardized by this document:

- v-shaped snow ploughs;
- requirements for registration and approval;
- requirements made by carrier vehicle manufacturers;
- requirements on safety – these are dealt with in EN 13021.

ITeH STANDARD PREVIEW
(standards.iteh.ai)

2 Normative references

[SIST EN 15583-1:2009](https://standards.iteh.ai/catalog/standards/sist/0c5833c9-d1f6-4079-83b4-91a96ee0ee31/sist-en-15583-1-2009)

[https://standards.iteh.ai/catalog/standards/sist/0c5833c9-d1f6-4079-83b4-](https://standards.iteh.ai/catalog/standards/sist/0c5833c9-d1f6-4079-83b4-91a96ee0ee31/sist-en-15583-1-2009)

[91a96ee0ee31/sist-en-15583-1-2009](https://standards.iteh.ai/catalog/standards/sist/0c5833c9-d1f6-4079-83b4-91a96ee0ee31/sist-en-15583-1-2009)

The following referenced documents are indispensable for the application of this document. For dated references, only the edition cited applies. For undated references, the latest edition of the referenced document (including any amendments) applies.

EN 13021, *Winter service machines – Safety requirements*

EN 15144:2007, *Winter maintenance equipment – Terminology – Terms for winter maintenance*

EN 15431, *Winter and road service area maintenance equipments – Power system and related controls – Interchangeability and performance requirements*

EN 15432, *Winter and road service area maintenance equipments – Front-mounted equipments – Interchangeability*

3 Terms and definitions

For the purposes of this document the terms and definitions given in EN 15144:2007 apply.

3.1 coupling level vertical
vertical plane containing the exterior face of the coupling level and containing the centre of the mounting plate

3.2 ice scraper
implement to remove ice from the traffic area by scraping and pushing aside

4 Requirements

4.1 General

The snow plough shall be designed to enable handling during winter service and efficient mounting onto and demounting from a carrier vehicle. The snow plough is designed to clear snow or ice off traffic areas, by unsticking it laterally on one side or both sides.

4.2 Dimensions

The relevant geometrical configurations are defined as shown in Figures 1 and 2.

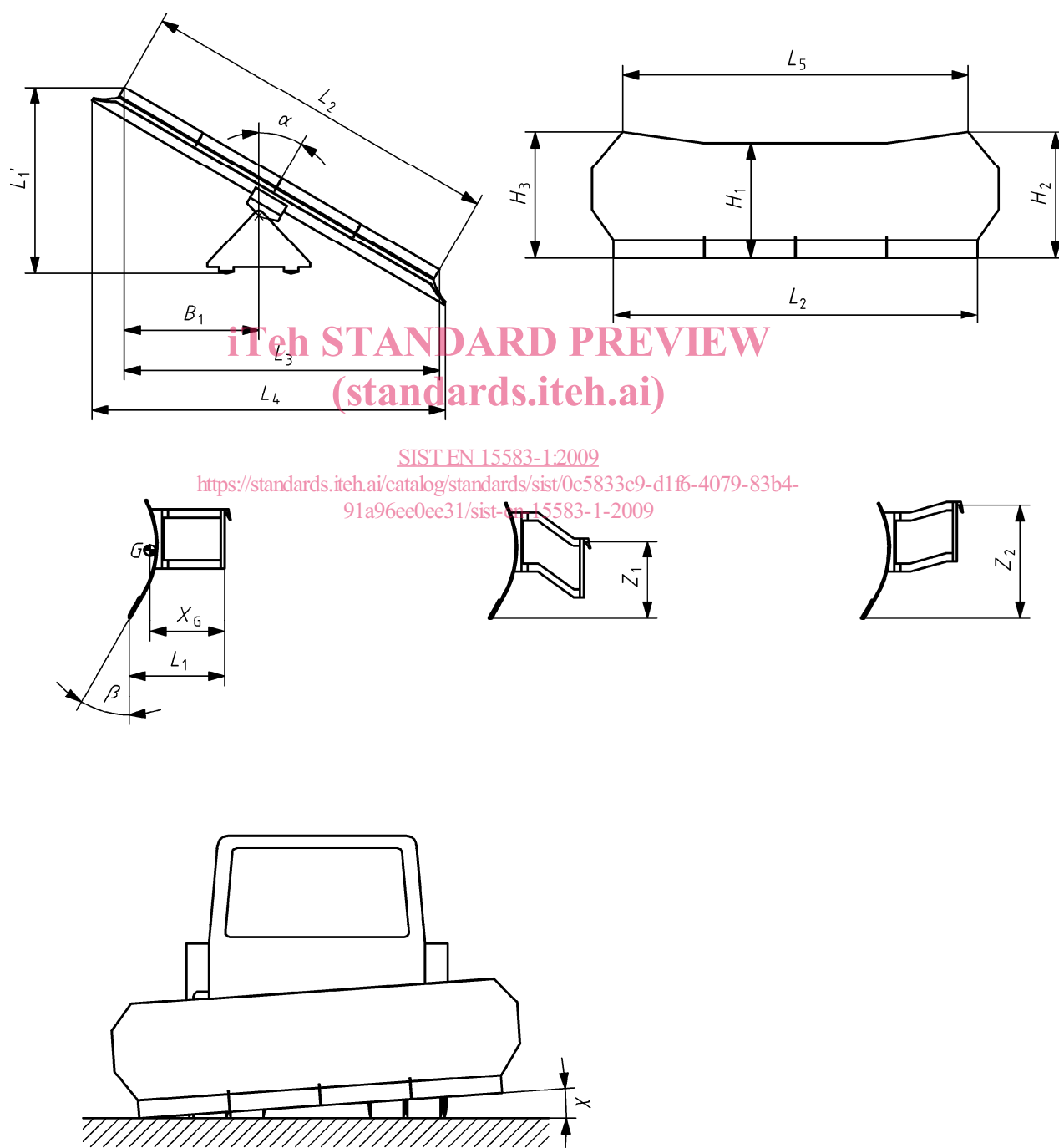


Figure 1 — Front-mounted snow plough

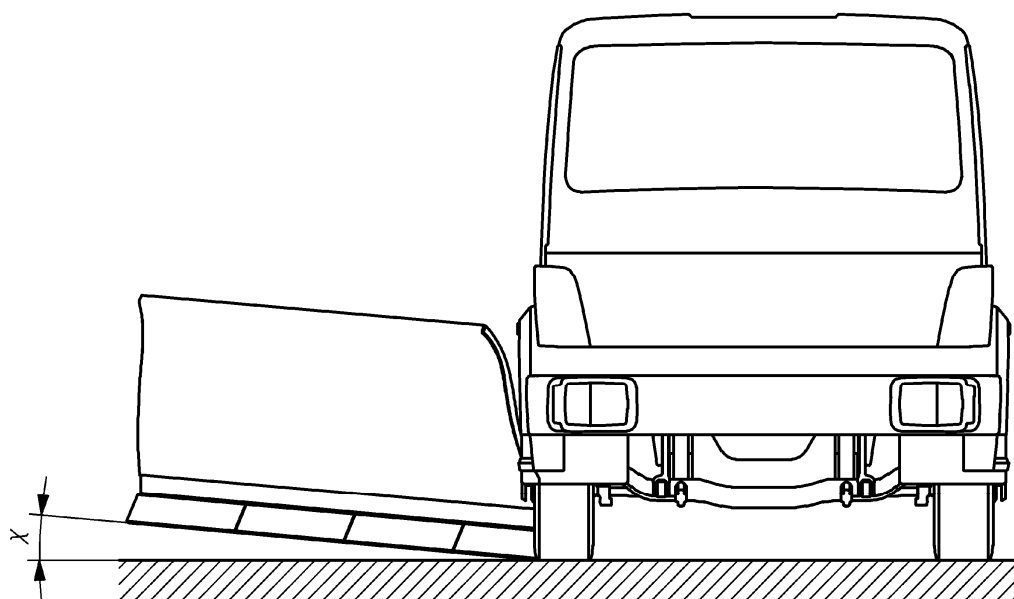
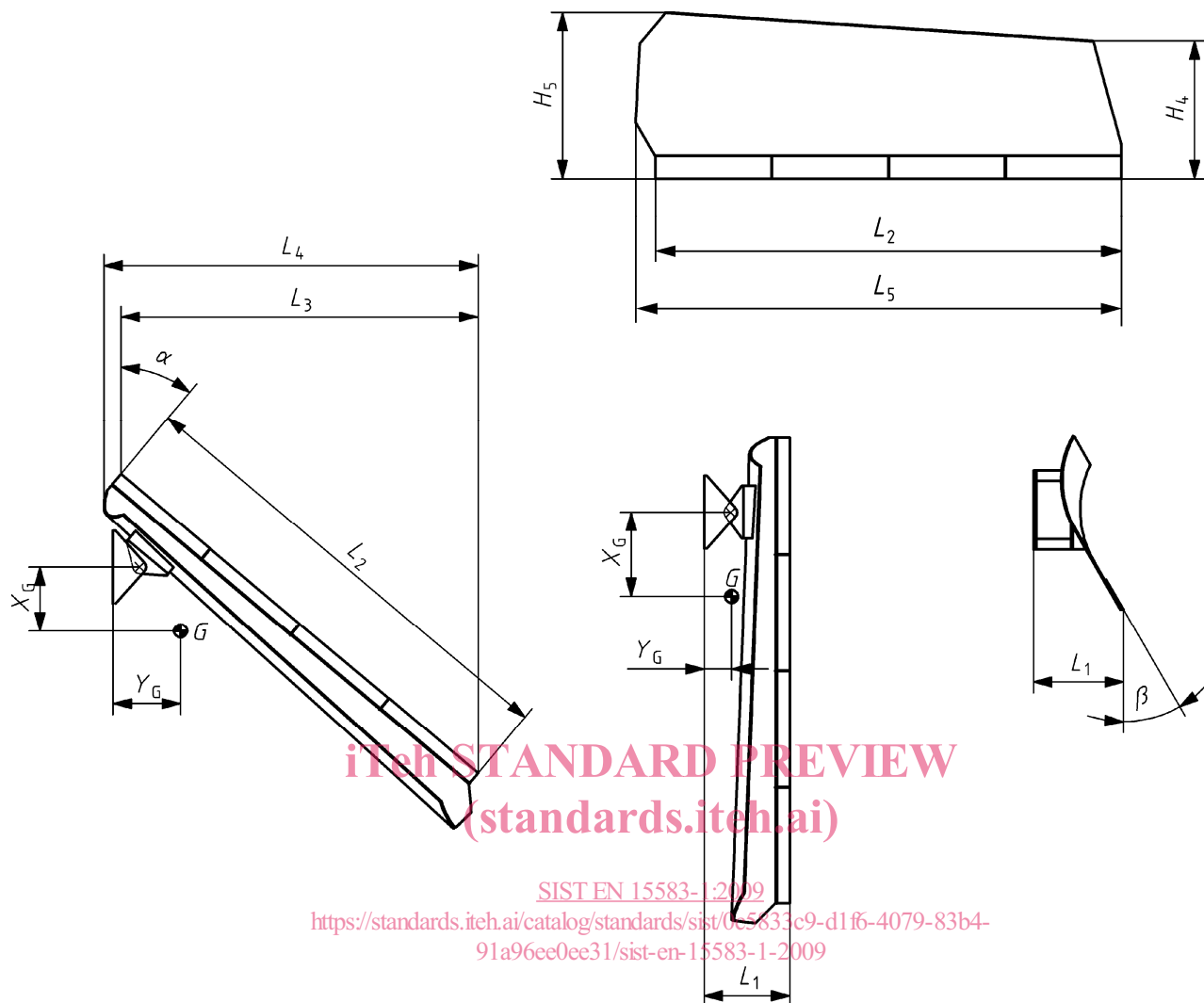
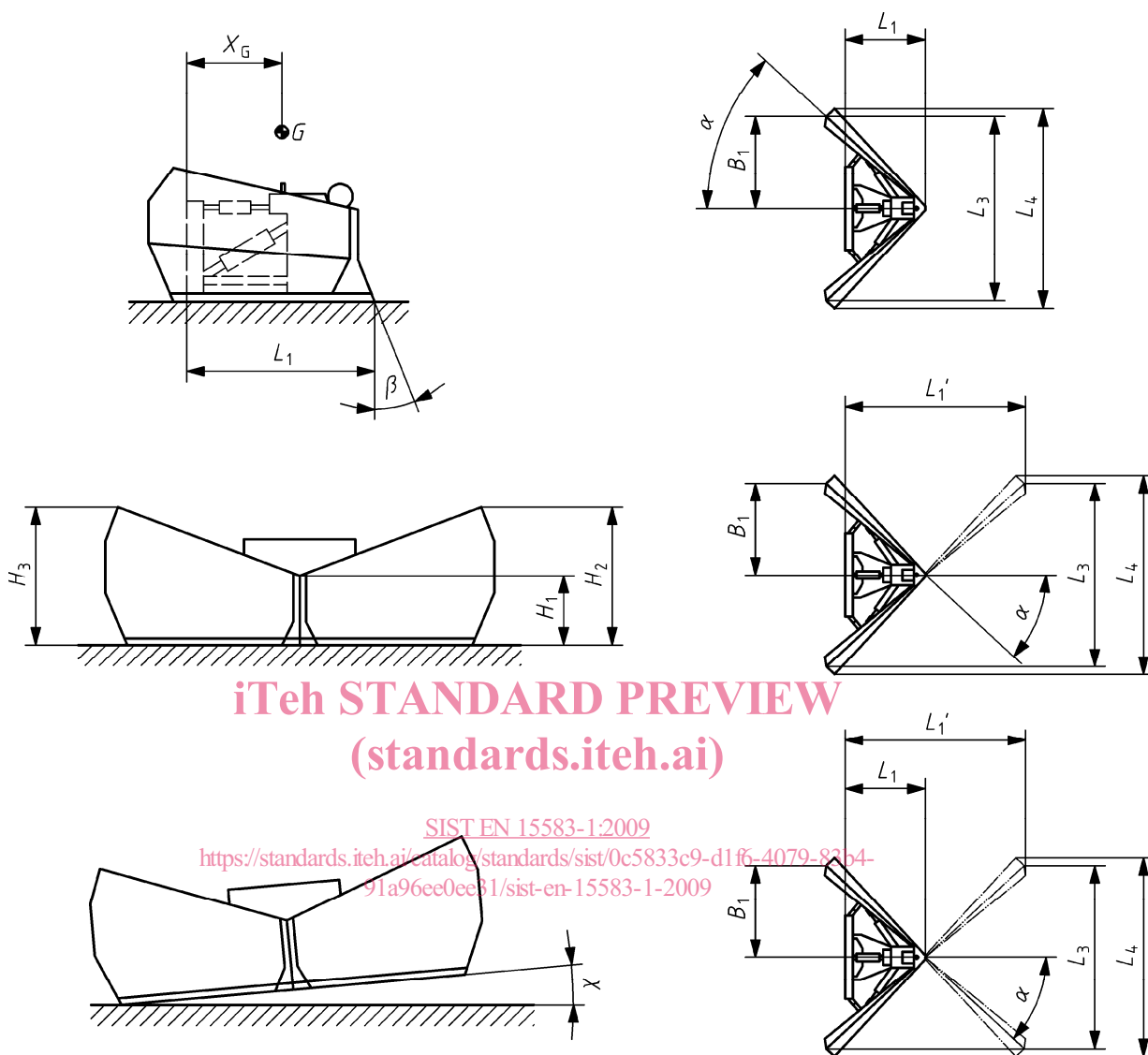


Figure 2 — Side-mounted snow plough



iTeh STANDARD PREVIEW
(standards.iteh.ai)

SIST EN 15583-1:2009
<https://standards.iteh.ai/catalog/standards/sist/0c5833c9-d1f6-4079-83b4-91a96ee0ee31/sist-en-15583-1-2009>

Figure 3 — Variable V-plough

Table 1 — Dimensions of snow plough ready for use

Measures		
Letter according to Figures 1 and 2	Designation	Requirements
L_1	Distance from coupling level to scraper blade/strip	
L_1' ^a	Distance from coupling level to scraper blade/strip – plough swivelled	

^a In case of use variable snow the manufacturer has to declare the minimum and maximum of L_1' , L_2 , L_3 , L_4 , L_5 , B_1 ...and if possible, dimensions in between.