
**Plastics — Injection moulding of test
specimens of thermoplastic materials —**

Part 5:

**Preparation of standard specimens for
investigating anisotropy**

iTeh STANDARD PREVIEW

*Plastiques — Moulage par injection des éprouvettes de matériaux
thermoplastiques —*

*Partie 5: Préparation d'éprouvettes normalisées pour déterminer
l'anisotropie* 294-5:2001

<https://standards.iteh.ai/catalog/standards/sist/a260c29f-914d-4d6b-9b5f-fbc731cbbb60/iso-294-5-2001>



PDF disclaimer

This PDF file may contain embedded typefaces. In accordance with Adobe's licensing policy, this file may be printed or viewed but shall not be edited unless the typefaces which are embedded are licensed to and installed on the computer performing the editing. In downloading this file, parties accept therein the responsibility of not infringing Adobe's licensing policy. The ISO Central Secretariat accepts no liability in this area.

Adobe is a trademark of Adobe Systems Incorporated.

Details of the software products used to create this PDF file can be found in the General Info relative to the file; the PDF-creation parameters were optimized for printing. Every care has been taken to ensure that the file is suitable for use by ISO member bodies. In the unlikely event that a problem relating to it is found, please inform the Central Secretariat at the address given below.

iTeh STANDARD PREVIEW
(standards.iteh.ai)

ISO 294-5:2001

<https://standards.iteh.ai/catalog/standards/sist/a260c29f-914d-4d6b-9b5f-fbc731cbbb60/iso-294-5-2001>

© ISO 2001

All rights reserved. Unless otherwise specified, no part of this publication may be reproduced or utilized in any form or by any means, electronic or mechanical, including photocopying and microfilm, without permission in writing from either ISO at the address below or ISO's member body in the country of the requester.

ISO copyright office
Case postale 56 • CH-1211 Geneva 20
Tel. + 41 22 749 01 11
Fax + 41 22 749 09 47
E-mail copyright@iso.ch
Web www.iso.ch

Printed in Switzerland

Contents

	Page
Foreword.....	iv
Introduction.....	v
1 Scope	1
2 Normative references	1
3 Terms and definitions	1
4 Apparatus	2
5 Procedure	4
6 Report on test-specimen preparation	5
Annex A (normative) Preparation of test specimens	6

iTeh STANDARD PREVIEW (standards.iteh.ai)

[ISO 294-5:2001](https://standards.iteh.ai/catalog/standards/sist/a260c29f-914d-4d6b-9b5f-fbc731cbbb60/iso-294-5-2001)

<https://standards.iteh.ai/catalog/standards/sist/a260c29f-914d-4d6b-9b5f-fbc731cbbb60/iso-294-5-2001>

Foreword

ISO (the International Organization for Standardization) is a worldwide federation of national standards bodies (ISO member bodies). The work of preparing International Standards is normally carried out through ISO technical committees. Each member body interested in a subject for which a technical committee has been established has the right to be represented on that committee. International organizations, governmental and non-governmental, in liaison with ISO, also take part in the work. ISO collaborates closely with the International Electrotechnical Commission (IEC) on all matters of electrotechnical standardization.

International Standards are drafted in accordance with the rules given in the ISO/IEC Directives, Part 3.

Draft International Standards adopted by the technical committees are circulated to the member bodies for voting. Publication as an International Standard requires approval by at least 75 % of the member bodies casting a vote.

Attention is drawn to the possibility that some of the elements of this part of ISO 294 may be the subject of patent rights. ISO shall not be held responsible for identifying any or all such patent rights.

International Standard ISO 294-5 was prepared by Technical Committee ISO/TC 61, *Plastics*, Subcommittee SC 9, *Thermoplastic materials*.

ISO 294 consists of the following parts, under the general title *Plastics — Injection moulding of test specimens of thermoplastic materials*:

— *Part 1: General principles, and moulding of multipurpose and bar test specimens*

— *Part 2: Small tensile bars*

<https://standards.iteh.ai/catalog/standards/sist/a260c29f-914d-4d6b-9b5f-fbc731cbbb60/iso-294-5-2001>

— *Part 3: Small plates*

— *Part 4: Determination of moulding shrinkage*

— *Part 5: Preparation of standard specimens for investigating anisotropy*

Annex A forms a normative part of this part of ISO 294.

Introduction

Reinforced and self-reinforcing injection-mouldable thermoplastics are used in a wide variety of applications, some of which may be safety-related. During the injection-moulding process, reinforcement fibres may preferentially align with the flow of the molten material and not across the flow direction. This preferential alignment causes an imbalance in the properties of the moulded thermoplastic so that, in the flow direction, the alignment of the reinforcing fibres causes a higher strength and stiffness than in the cross direction with no aligned fibres. This difference in properties is termed anisotropy, and it may result in an injection-moulded component having less than the desired or designed strength. To aid designers in understanding the potential strength of an injection-moulded component, it is desirable to know about the anisotropy of an injection-moulded component.

During the development of this part of ISO 294, it was found that injection-moulded test specimens do not exhibit the same fibre alignment across their thickness, but that the outer layers have fibres preferentially aligned in the mould filling direction while the core has randomly oriented fibres (i.e. no preferential alignment). The ratio of the cross-sectional area of aligned-fibre orientation (i.e. "skin" layer thickness) to that of random-fibre orientation (i.e. "core" thickness) is affected by the specimen thickness and the mould filling rate, i.e. the average injection velocity. Thicker specimens exhibit a lower proportion of aligned fibres than do thinner specimens. Slower mould fill speeds lead to thicker "skin" layers with aligned fibres. As a result, to obtain meaningful data on a particular design of moulding, an investigator should prepare specimens with a thickness as close to the moulding wall thickness as possible, and specimens should be prepared using several mould fill speeds (i.e. several average injection velocities) so that the anisotropy in the moulding can be closely estimated. Since the specimen thickness and injection velocity have a significant influence on the final anisotropy, this part of ISO 294 should only be used for determining information that is useful in designing mouldings, and not as a quality control test for the plastic material itself.

[ISO 294-5:2001](https://standards.iteh.ai/catalog/standards/sist/a260c29f-914d-4d6b-9b5f-fbc731cbbb60/iso-294-5-2001)

<https://standards.iteh.ai/catalog/standards/sist/a260c29f-914d-4d6b-9b5f-fbc731cbbb60/iso-294-5-2001>

iTeh STANDARD PREVIEW
(standards.iteh.ai)

ISO 294-5:2001

<https://standards.iteh.ai/catalog/standards/sist/a260c29f-914d-4d6b-9b5f-fbc731cbbb60/iso-294-5-2001>

Plastics — Injection moulding of test specimens of thermoplastic materials —

Part 5: Preparation of standard specimens for investigating anisotropy

1 Scope

This part of ISO 294 specifies a two-cavity mould (designated the type F ISO mould) for the injection moulding of 80 mm × 90 mm plates with a preferred thickness of 3 mm. Suitable test specimens [ISO 527-2 type 1BA tensile test specimens or type 1 (80 mm × 10 mm) bars] are then machined or die-cut from the plates (see annex A) and used to obtain information on the anisotropy of thermoplastic parts.

Investigation of the anisotropy of materials is a special procedure intended to provide guidance in the design of mouldings for end-use applications and is not intended as a quality control tool.

In the injection moulding of thermoplastic materials, the flow of molten polymer may influence the orientation of fillers such as fibreglass or the orientation of polymer chains. This may result in anisotropic behaviour. The knowledge of anisotropic behaviour is valuable in designing plastic parts.

For the purposes of this part of ISO 294, the flow direction is defined as the direction from the gate to the far end of the mould cavity, and the cross direction as the direction perpendicular to the flow direction.

The type F mould is not intended to replace the type D mould used to determine the moulding shrinkage of thermoplastics.

2 Normative references

The following normative documents contain provisions which, through reference in this text, constitute provisions of this part of ISO 294. For dated references, subsequent amendments to, or revisions of any of these publications do not apply. However, parties to agreements based on this part of ISO 294 are encouraged to investigate the possibility of applying the most recent editions of the normative documents indicated below. For undated references, the latest edition of the normative document referred to applies. Members of ISO and IEC maintain registers of currently valid International Standards.

ISO 294-1:1996, *Plastics — Injection moulding of test specimens of thermoplastic materials — Part 1: General principles, and moulding of multipurpose and bar test specimens*

ISO 527-2, *Plastics — Determination of tensile properties — Part 2: Test conditions for moulding and extrusion plastics*

3 Terms and definitions

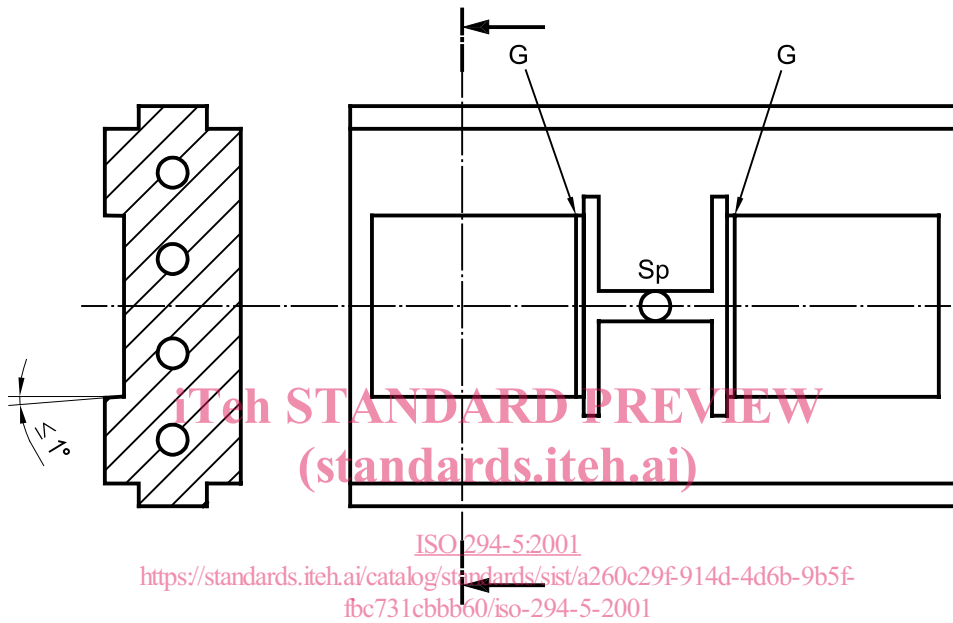
For the purposes of this part of ISO 294, the terms and definitions given in ISO 294-1:1996 apply.

4 Apparatus

4.1 Type F ISO mould

Plates shall be moulded in a two-cavity type F ISO mould (see Figures 1 and 2). The mould dimensions shall be such that the plates produced measure 80 mm × 90 mm (the actual length and width of the mould will vary slightly because of the different shrinkage of different materials).

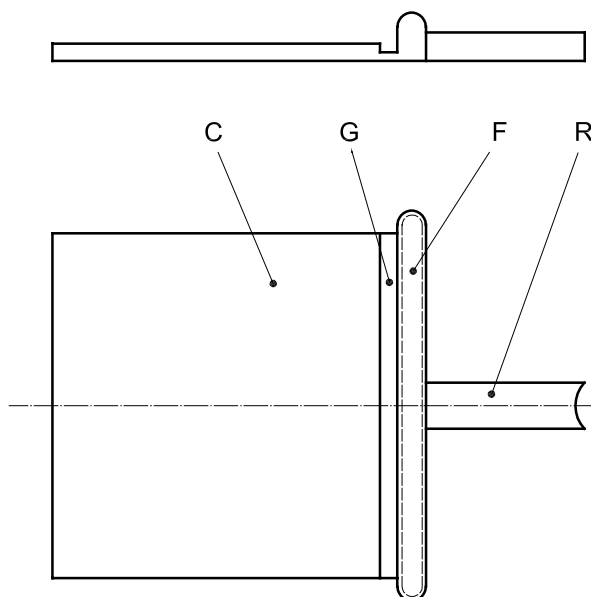
The preferred thickness is 3 mm but other thicknesses may be used. A thickness of 3 mm is representative of the actual wall thickness of many mouldings and gives a typical skin-thickness to core-thickness ratio. Other thicknesses may be used to give different skin-thickness to core-thickness ratios.



Key

- | | | |
|----|-------|--|
| Sp | Sprue | Shot volume $V_S = 45\,000\text{ mm}^3$ |
| G | Gate | Projected area $A_P = 15\,000\text{ mm}^2$ |

Figure 1 — Type F ISO mould



All dimensions in millimetres

	C (cavity)	G (gate)	F (flood gate)	R (runner)
Dimension in direction of flow	approx. 90 ^a	3,0	6,0	8,0
Dimension normal to flow	approx. 80 ^a	80	92	12
Depth/height	3,0 ^b	1,5 ^c	6,0	6,0
End radius ^d	NA	NA	> 4,0	NA
Top radius ^d	NA	NA	> 3,0	> 3,0

^a The actual length and width will depend on the moulding shrinkage of the injection-moulding material (see 4.1).

^b 3 mm is the preferred cavity depth. Other depths may be used to match more closely the thickness of the parts being designed.

^c The gate height shall be half the cavity depth if a cavity depth other than 3 mm is used.

^d The radius of the end of the flood gate shall be > 4 mm, the radius of the top of the flood gate shall be > 3 mm and the intersection of the top and end of the flood gate shall be blended to a smooth transition.

NOTE 1 A pressure sensor may be used to monitor the moulding process, but is not required. The sensor, if used, shall be located centrally with respect to the width of the cavity.

NOTE 2 If an interchangeable cavity plate of less than 220 mm length is used, it is permissible to use a single flood gate centered on the sprue and no runners.

Figure 2 — Details of type F mould