



SLOVENSKI STANDARD
oSIST-TP prCEN/TR 15728:2008
01-januar-2008

**Zasnova in uporaba vstavkov za dvigovanje in ravnanje z betonskimi polizdelki -
Elementi**

Design and Use of Inserts for Lifting and Handling of Precast Concrete - Elements

Bemessung und Verwendung von Transportankern für Betonfertigteile

Conception et utilisation d'inserts pour le levage et la manutention du béton préfabriqué -
Éléments

(standards.iteh.ai)

Ta slovenski standard je istoveten z: prCEN/TR 15728

[https://standards.iteh.ai/catalog/standards/sist/c61cccba-364a-4cff-9b39-
ac03472cc34b7/sist-tp-cen-tr-15728-2008](https://standards.iteh.ai/catalog/standards/sist/c61cccba-364a-4cff-9b39-ac03472cc34b7/sist-tp-cen-tr-15728-2008)

ICS:

91.100.30

oSIST-TP prCEN/TR 15728:2008

en,fr

iTeh STANDARD PREVIEW
(standards.iteh.ai)

[SIST-TP CEN/TR 15728:2008](https://standards.iteh.ai/catalog/standards/sist/c61cccba-364a-4cff-9b39-ac03472c34b7/sist-tp-cen-tr-15728-2008)

<https://standards.iteh.ai/catalog/standards/sist/c61cccba-364a-4cff-9b39-ac03472c34b7/sist-tp-cen-tr-15728-2008>

November 2007

ICS 91.100.30

English Version

Design and Use of Inserts for Lifting and Handling of Precast Concrete - Elements

Bemessung und Verwendung von Transportankern für
Betonfertigteile

This draft Technical Report is submitted to CEN members for Technical Committee Approval. It has been drawn up by the Technical Committee CEN/TC 229.

CEN members are the national standards bodies of Austria, Belgium, Bulgaria, Cyprus, Czech Republic, Denmark, Estonia, Finland, France, Germany, Greece, Hungary, Iceland, Ireland, Italy, Latvia, Lithuania, Luxembourg, Malta, Netherlands, Norway, Poland, Portugal, Romania, Slovakia, Slovenia, Spain, Sweden, Switzerland and United Kingdom.

iTeh STANDARD PREVIEW

Warning : This document is not a Technical Report. It is distributed for review and comments. It is subject to change without notice and shall not be referred to as a Technical Report.

[SIST-TP CEN/TR 15728:2008](https://standards.iteh.ai/catalog/standards/sist/c61cccba-364a-4cff-9b39-ac03472c34b7/sist-tp-cen-tr-15728-2008)

<https://standards.iteh.ai/catalog/standards/sist/c61cccba-364a-4cff-9b39-ac03472c34b7/sist-tp-cen-tr-15728-2008>



EUROPEAN COMMITTEE FOR STANDARDIZATION
COMITÉ EUROPÉEN DE NORMALISATION
EUROPÄISCHES KOMITEE FÜR NORMUNG

Management Centre: rue de Stassart, 36 B-1050 Brussels

Contents

Page

| | |
|---|----|
| Foreword..... | 4 |
| 1 Scope | 5 |
| 1.1 General..... | 5 |
| 1.2 Types of inserts for lifting and handling | 5 |
| 1.3 Minimum dimensions | 5 |
| 2 Normative references | 6 |
| 3 Terms, definitions and symbols..... | 6 |
| 3.1 Terms and definitions | 6 |
| 3.2 Symbols | 8 |
| 3.2.1 Action and resistance | 8 |
| 3.2.2 Concrete and steel..... | 9 |
| 3.2.3 Inserts | 9 |
| 4 General design principles | 9 |
| 4.1 General principles..... | 9 |
| 4.2 Partial factors..... | 9 |
| 4.2.1 Partial factors for actions | 9 |
| 4.2.2 Partial factors for resistance | 9 |
| 5 Actions on inserts..... | 10 |
| 5.1 Actions..... | 10 |
| 5.2 Effect of lifting procedures on load directions..... | 10 |
| 5.3 Actions from adhesion and form friction..... | 12 |
| 5.4 Dynamic actions | 13 |
| 6 Choice of inserts..... | 13 |
| 7 Use of Supplier's recommendations | 14 |
| 8 Use of CEN/TC 229 recommendations for typical user situations | 16 |
| 8.1 General conditions | 16 |
| 8.2 Types of inserts covered | 18 |
| 8.2.1 Commercially available inserts | 18 |
| 8.2.2 Inserts made by the precaster..... | 18 |
| 8.3 Lifting of walls and linear elements | 22 |
| 8.3.1 General..... | 22 |
| 8.3.2 Basic steel capacity..... | 22 |
| 8.3.3 Minimum thickness of wall or element..... | 23 |
| 8.3.4 Complementary reinforcement..... | 25 |
| 8.3.5 Anchorage length for axial load | 26 |
| 8.3.6 Effects of shear load in the plane of the wall..... | 31 |
| 8.3.7 Effects of transversal shear load | 32 |
| 8.4 Lifting of slabs and pipes | 33 |
| 8.4.1 General..... | 33 |
| 8.4.2 Minimum edge distances | 33 |
| 8.4.3 Complementary reinforcement in slabs and pipes | 33 |
| 8.4.4 Anchorage length for axial load | 36 |
| 8.4.5 Effects of shear load | 37 |
| 9 Precaster use of testing | 37 |
| 10 Recommended technical documentation | 37 |
| 10.1 General..... | 37 |
| 10.2 Properties of inserts..... | 37 |

| | | |
|--------------|--|----|
| 10.3 | Design of specific lifting application | 38 |
| 11 | Lifting and handling instructions..... | 38 |
| Annex A | (Informative) Provisions for testing of inserts for specific lifting and handling situations..... | 40 |
| A.1 | Objectives..... | 40 |
| A.1.1 | General..... | 40 |
| A.1.2 | Types of objectives | 40 |
| A.2 | Specification of test specimen | 40 |
| A.2.1 | Areas of application | 40 |
| A.2.2 | Design of test specimen | 41 |
| A.2.3 | Age of concrete specimen at testing..... | 42 |
| A.2.4 | Specification of inserts | 42 |
| A.3 | Loading conditions..... | 43 |
| A.3.1 | Load and support conditions | 43 |
| A.3.2 | Loading history | 43 |
| A.4 | Measurements..... | 43 |
| A.5 | Test programs..... | 44 |
| A.5.1 | General..... | 44 |
| A.5.2 | Tests to verify prior knowledge | 44 |
| A.5.3 | Tests utilising no prior knowledge: determination of properties for one insert used for specific applications..... | 44 |
| A.6 | Assessment of the test results | 45 |
| A.6.1 | Characteristic resistance | 45 |
| A.6.2 | Verification of a calculation model..... | 45 |
| A.6.3 | Determination of a single property | 46 |
| A.7 | Test report | 46 |
| A.7.1 | General..... | 46 |
| A.7.2 | Test members | 46 |
| A.7.3 | Installation of the insert | 47 |
| A.7.4 | Measured values | 47 |
| A.8 | Evaluation report | 47 |
| Annex B | (Informative) Information to be given by the insert supplier | 48 |
| B.1 | Information on the content of an operational manual | 48 |
| B.1.1 | General technical introduction..... | 48 |
| B.1.2 | Documentation of the lifting anchor..... | 48 |
| B.1.3 | Documentation of the lifting key | 49 |
| B.1.4 | Documentation of accessories | 50 |
| Bibliography | | 51 |

Foreword

This document (prEN 15728:2007) has been prepared by Technical Committee CEN/TC 229 “Precast concrete products”, the secretariat of which is held by AFNOR.

This document is currently submitted to Technical Committee Approval.

To ensure the performance of the precast concrete products, lifting and handling should be taken into account in the design of the product.

Inserts are used for lifting and handling of precast elements. They should meet an appropriate degree of reliability. They should sustain all actions and influences likely to occur during execution and use.

This Technical Report deals with all lifting inserts cast into precast concrete elements, i.e. lifting parts developed and produced at the precasting plant as well as lifting inserts as part of a system supplied by a manufacturer of lifting systems. This document is intended to provide information for precast product designers.

The failure of inserts for lifting and handling could cause risk to human life and/or lead to considerable economic consequences. Therefore inserts for lifting and handling should be selected and installed properly by skilled personnel.

This Technical Report based on current practices, gives recommendations for correct choice and design of lifting inserts according to the lifting capacity of their part embedded in the concrete. It is based on EN 1992-1-1 (Eurocode 2) and on published supplier's data.

In the Technical Report numerical values for partial safety factors are recommended as basic values that provide an acceptable level of reliability. They have been selected assuming that an appropriate level of workmanship and of quality management (Factory Production Control) applies. They may be applied in the absence of national regulations.

1 Scope

1.1 General

This Technical Report provides recommendations for the choice and use of cast-in steel lifting inserts, hereafter called 'inserts' for the handling of precast concrete elements. They are intended for use only during transient situations for lifting and handling, and not for the service life of the structure. The choice of insert is made according to the lifting capacity of their part embedded in the concrete, or may be limited by the capacity of the insert itself and the corresponding key declared by the insert manufacturer. The report covers commonly used applications (walls/beams/columns and solid slabs and pipes) and the range of these applications is further limited to prevent other types of failure than concrete breakout failure (cone failure), failure of supplementary reinforcement or failure in the steel insert. A basic supposition is that the concrete is demonstrably uncracked during all lifting situations.

The limitation in scope is used to obtain simple design models. Further information may be found in [1].

The recommended safety levels are intended for short-term-handling and transient situations.

This Technical Report applies only to precast concrete elements made of normal weight concrete and manufactured in a factory environment and under a factory production control (FPC) system (in accordance with EN 13369:2004, clause 6.3) covering the insert embedment.

This Technical Report does not cover:

- Design of the insert itself (for inserts manufactured by insert suppliers).
- Lifting key that hooks on to the embedded lifting insert as a component between the insert and the lifting machinery (crane, excavator...), nor its compliance with the embedded insert. These components, when brought to the market separately, are covered by the Machinery Directive (98/37/EC).
- Lifting inserts for permanent and repeated use.

This report is not an interpretation of the Machinery Directive.

1.2 Types of inserts for lifting and handling

This Technical Report applies to the embedment of lifting inserts made by the precaster for his own use as well as lifting inserts forming part of lifting systems brought to the market by a lifting system supplier, see Table 7 and Table 10. Devices made by the precaster may consist of smooth bars, prestressing strands and steel wire ropes. The system devices may be e.g. internal threaded inserts, flat steel inserts and headed inserts.

Lifting loops of ribbed bars are not covered, nor wire ropes of less than 6 mm.

1.3 Minimum dimensions

This Technical Report applies in general to inserts with a minimum diameter of 6 mm or the corresponding cross section. In general, the minimum anchorage depth should be $\ell_a = 40$ mm.

2 Normative references

The following referenced documents are indispensable for the application of this document. For dated references, only the edition cited applies. For undated references, the latest edition of the referenced document (including any amendments) applies.

EN 1990:2002, *Eurocode — Basis of structural design*

EN 1992-1-1:2004, *Eurocode 2: Design of concrete structures - Part 1-1: General rules and rules for buildings*

EN 13369:2004, *Common rules for precast concrete products*

3 Terms, definitions and symbols

For the purposes of this document, the following terms, definitions and symbols apply.

3.1 Terms and definitions

3.1.1

concrete breakout failure

concrete cone separated from the base material by loading the insert

3.1.2

concrete breakout resistance

resistance corresponding to a concrete cone surrounding the insert or group of inserts separating from the member

3.1.3

edge distance

distance from the edge of the concrete surface to the centre of the nearest insert

3.1.4

anchorage length

for cast-in headed insert bolts and splayed inserts, the anchorage length, l_a , is illustrated in Figure 1

iTeh STANDARD PREVIEW
(standards.iteh.ai)

SIST-TP CEN/TR 15728:2008

<https://standards.iteh.ai/catalog/standards/sist/c61cccba-364a-4cff-9b39-ac03472c5407/sist-tp-cen-tr-15728-2008>

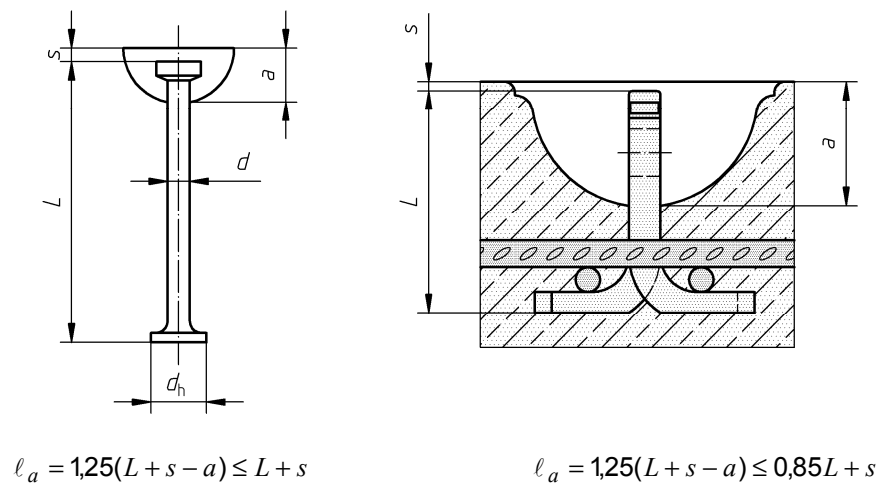


Figure 1 — Examples of anchorage length for different types of inserts

3.1.5

embedment depth

distance from the concrete surface to the farthest point of insert, measured perpendicular to the concrete surface

3.1.6

factory Production Control (FPC)

quality system satisfying the requirements in EN 13369:2004, clause 6.3

<https://standards.iteh.ai/catalog/standards/sist/c61cccba-364a-4cff-9b39-ac03472c34b7/sist-tp-cen-tr-15728-2008>

3.1.7

headed insert

steel insert with a head for anchorage installed before placing concrete

3.1.8

insert

steel unit cast into concrete and used for lifting of precast elements

3.1.9

insert loading

axial, shear or combined - Loads applied to the insert

3.1.10

insert resistance

load capacity (characteristic value) of the part of the insert embedded in the concrete (different from maximum working load of the insert – see 3.1.13). In this report, the wording “characteristic resistance” is sometimes used

3.1.11

lifting key

lifting tool to couple to the embedded insert

3.1.12

lifting system

system of lifting key and appropriate insert

3.1.13

maximum working load

maximum load guaranteed by the supplier before steel failure, reduced by application of the relevant safety coefficient and marked on a lifting key or system (from Directive 98/37/EC, 4.1.1)

3.1.14

precaster

producer of precast concrete elements in a factory environment

3.1.15

pullout failure

failure mode in which the insert pulls out of the concrete without a steel failure and without a concrete breakout failure

3.1.16

side-face blow-out resistance

resistance of inserts with deeper embedment but thinner side cover corresponding to concrete spalling on the side face around the embedded head while no major breakout occurs at the top concrete surface

3.1.17

insert steel failure

failure mode characterised by fracture of one of the steel insert parts

3.1.18

minimum reinforcement

reinforcement required by EN 1992-1-1 or in national annex (Nationally Determined Parameter)

3.1.19

supplementary reinforcement

reinforcement designed to resist the full load in case of a concrete failure

3.1.20

complementary reinforcement

reinforcement provided to avoid brittle failure [SIST-TP CEN/TR 15728:2008](https://standards.iteh.ai/catalog/standards/sist/c61cccba-364a-4cff-9b39-ac03472c34b7/sist-tp-cen-tr-15728-2008)
<https://standards.iteh.ai/catalog/standards/sist/c61cccba-364a-4cff-9b39-ac03472c34b7/sist-tp-cen-tr-15728-2008>

3.1.21

supplier

manufacturer of lifting inserts brought to the market or its authorized distributor

3.2 Symbols

3.2.1 Action and resistance

| | |
|--------------|---|
| E_d | design value of actions acting on a single insert |
| N_{Rk} | characteristic value of resistance of a single insert |
| N_{Rd} | design value of resistance of a single insert |
| q_{adh} | adhesion |
| ψ_{dyn} | dynamic coefficient |
| γ_G | partial factor for dead load |
| γ_Q | partial factor for live load |
| γ_c | partial factor for concrete |
| γ_s | partial factor for steel |

3.2.2 Concrete and steel

| | |
|----------|--|
| f_{ck} | characteristic compressive strength of concrete (strength class) measured on cylinders 150 mm x 300 mm |
| f_{yk} | characteristic steel yield strength or steel proof strength respectively |
| f_{uk} | characteristic steel ultimate tensile strength |
| A_s | stressed cross section of steel |

3.2.3 Inserts

Notation and symbols frequently used in this technical report are given below. Further particular notation and symbols are given in the text.

| | |
|-------|--|
| c | edge distance from the axis of an insert |
| d | diameter of insert bolt or thread diameter |
| d_h | diameter of insert head (headed inserts) |
| d_s | diameter of reinforcing bar |
| l_a | anchorage length (Figure 1) |

Iteh STANDARD PREVIEW
(standards.iteh.ai)

4 General design principles

[SIST-TP CEN/TR 15728:2008](https://standards.iteh.ai/catalog/standards/sist/c61cccba-364a-4cff-9b39-ac03472c34b7/sist-tp-cen-tr-15728-2008)
<https://standards.iteh.ai/catalog/standards/sist/c61cccba-364a-4cff-9b39-ac03472c34b7/sist-tp-cen-tr-15728-2008>

4.1 General principles

The inserts load capacity for lifting and handling should be calculated and/or tested according to the principles and design models given in this document. Embedment conditions for lifting and handling, which do not conform to these principles or design models, should be tested according to the recommendations given in Annex A and evaluated in accordance with EN 1990.

Actions should be obtained from the relevant parts of EN 1991-1 where applicable.

4.2 Partial factors

4.2.1 Partial factors for actions

In the absence of National provisions the following factors are recommended:

$\gamma_G = 1,15$ (partial factor for dead load);

$\gamma_Q = 1,5$ (partial factor for live load, i.e. adhesion, friction and dynamic actions).

4.2.2 Partial factors for resistance

In the absence of National provisions the partial factors given in Table 1 and Table 2 are recommended.

Recommended values of the partial factors γ_s for characteristic resistance of steel based on characteristic ultimate values (R_{uk} , f_{uk}) are given in Table 1. For solid steel loops, steel wire ropes and prestressing strands the partial factor γ_s is based on the characteristic resistance of the loop including effects of the lifting hook.

Recommended values of the partial factor γ_c for failures in the load transfer between the insert and the concrete are given in Table 2. These values assume that an FPC system is used to control that concrete is uncracked in the vicinity of the insert.

Table 1 — Partial factors γ_s for steel failure

| Type of insert | $f_{uk} \leq 800 N / mm^2$ and $f_{yk} / f_{uk} \leq 0,8$ | $f_{uk} > 800 N / mm^2$ or $f_{yk} / f_{uk} > 0,8$ |
|--|---|--|
| Solid steel lifting systems | Max(1,5; 1,2 f_{uk}/f_{yk}) | 1,7 |
| Solid steel (smooth bars) lifting loops* | 2,0 | - |
| Steel wire ropes | - | 1,8 |
| Prestressing strands | - | 1,8 |

* The material for smooth bar lifting loops should be at least equivalent to S235J2+N.

Table 2 — Partial factors γ_c for concrete failure

| Loading in | Certified FPC |
|-----------------------------------|---------------|
| Tension | 1,5 |
| Shear, combined tension and shear | 1,5 |

5 Actions on inserts

5.1 Actions

The forces acting on an insert should be calculated for all relevant loading situations taking into account the product properties, the position of the inserts, condition of the form, lifting equipment, number and length of the ropes, chains or straps and the static system. In some cases it might be necessary to take into account the deformations of the precast element during lifting and handling.

5.2 Effect of lifting procedures on load directions

Inserts for lifting and handling may be subjected to loads acting in different directions during operation. As examples information on slabs and wall elements are given.

The lifting equipment should allow statically determinate load distribution to the inserts (see Figure 2). To ensure that all inserts carry their required part of the load, sliding or rolling couplings between the lifting wires or chains should be used when there are more than two lifting points. In a statically indeterminate system the load distribution on the inserts depends in most cases on the unknown stiffness of the ropes and the position of the insert (see Figure 3). Therefore only the statically determinate part of a system should be used in calculating the actions on the inserts.

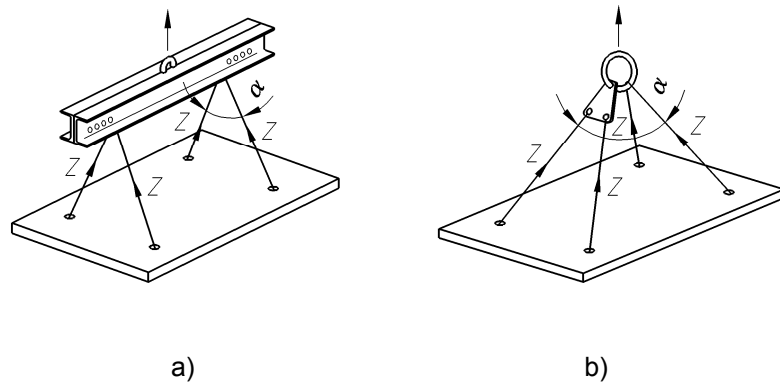


Figure 2 — Examples of handling equipment for slabs

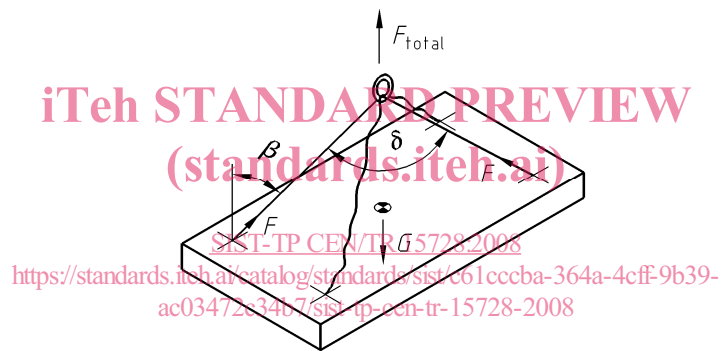


Figure 3 — Statically indeterminate system, only two inserts loaded

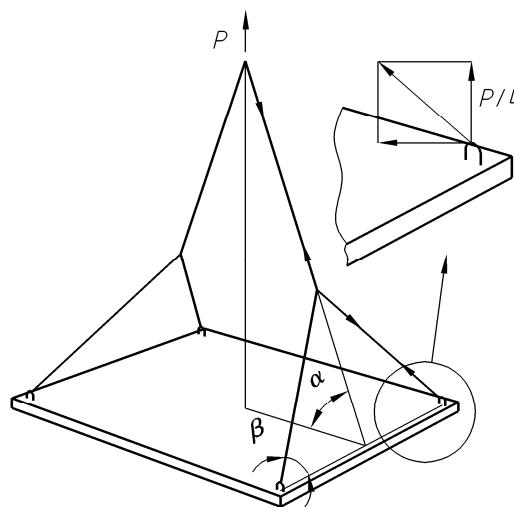
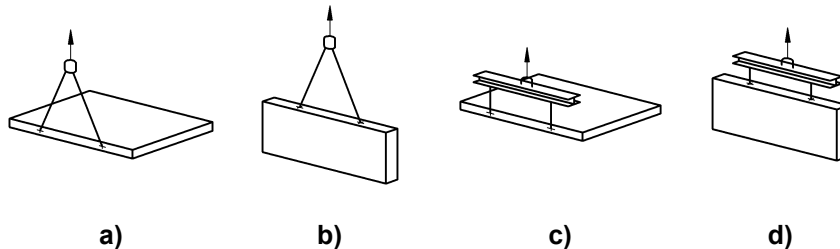


Figure 4 — Example of statically determinate lifting of a slab and resolution of forces

Depending on the equipment used during lifting the inserts may be subjected to combined parallel and transverse shear load (Figure 5a), combined tension and parallel shear loads (Figure 5b), transverse shear loads (Figure 5c) or axial tensile loads (Figure 5d).



Key

- a) Combined parallel and transverse shear load
- b) Combined tension and parallel shear load
- c) Transverse shear load
- d) Axial load

Figure 5 — Examples of loads on lifting inserts for walls.

Shear loads acting on inserts may be assumed to act without a lever arm, if the design of the inserts and its key avoids significant concrete crushing in front of the insert during loading. If this condition is not satisfied the lever arm should be taken as the actual distance between the shear force and the concrete surface plus half the nominal diameter of the insert.

5.3 Actions from adhesion and form friction

SIST-TP CEN/TR 15728:2008
<https://standards.iteh.ai/catalog/standards/sist/c61cccba-364a-4cff-9b39-ac07472c34b7/sist-tr-cen-tr-15728-2008>

Adhesion and form friction will occur when the precast element is removed from the formwork. The values should be taken from National provisions. In the absence of National provisions the values for the combined effect of adhesion and form friction q_{adh} given in Table 3 may be considered. General values for form friction are difficult to assess and friction should be avoided as far as possible.

For some types of uneven form surfaces (structured matrixes, reliefs, structured timber etc.) the forces may be much larger than given in the table, and should be considered separately. The forces may be zero if the concrete does not come in contact with the form at all, for example if the concrete is poured on a layer of bricks that has been laid out on the form bottom. Large vertical form surfaces may create extensive friction forces due to undulations in the form. Prestressed components will usually have a camber caused by the prestressing force, and will therefore have lower friction against the vertical sides of the form.

Table 3 — Examples of values of q_{adh}

| Formwork and condition | q_{adh} * |
|--|---------------------|
| Oiled steel mould, oiled plastic coated plywood | 1 kN/m ² |
| Varnished wooden mould with planed boards | 2 kN/m ² |
| Oiled rough wooden mould | 3 kN/m ² |
| * The area to be used in the calculations is the total contact area between the concrete and the form. | |

The actions, E_d , for demoulding situations should be determined from:

$$E_d = \gamma_G \cdot G + \gamma_Q \cdot q_{adh} \cdot A_f \quad (1)$$

where

G is the weight of the precast concrete element;

A_f is the form area in contact with concrete;

γ_G and γ_Q are partial safety factors for permanent and variable actions respectively.

5.4 Dynamic actions

During lifting and handling the precast elements and the lifting devices are subjected to dynamic actions. The magnitude of the dynamic actions depends on the type of lifting machinery. Dynamic effects should be taken into account by the dynamic coefficient ψ_{dyn} given in National regulations. In the absence of National Regulations the values of Table 4 may be considered. Other dynamic influences than covered by Table 4 should be based on special provisions or engineering judgement.

Table 4 — Influence of dynamic actions on site

| Dynamic influences | Dynamic coefficient (ψ_{dyn}) |
|--|--------------------------------------|
| Tower crane and portal crane | 1,2 * |
| Mobile crane | 1,4 * |
| Lifting and moving on flat terrain | 2 to 2,5 |
| Lifting and moving on rough terrain | 3 to 4 |
| * In precasting factories and if special provisions are made at the building site lower values may be appropriate. | |

The actions, E_d , for lifting situations should be determined from Equation (2)

$$E_d = \gamma_G \cdot G + (\psi_{dyn} - 1)\gamma_Q \cdot G \quad (2)$$

6 Choice of inserts

Having determined the actions on the insert for all relevant load combinations the task remains to choose an appropriate insert and relevant reinforcement.

The insert load capacity depends on the field of application. The designer has three options in choosing the appropriate lifting arrangement:

- 1) recommendations given by the insert suppliers may be used directly. This option is further described in clause 7;
- 2) design charts provided in clause 8 may be used;
- 3) tests may be carried out specific to the intended application as outlined in clause 9.

Figure 6 indicates which option could be appropriate in a given situation.