



**SLOVENSKI STANDARD**  
**SIST EN 4357:2009**

01-maj-2009

---

5 YfcbUj h\_U! üYgmcVUj Xc`V]bUžbcfUb]`dc[ cb`!`nj ]U`fh`XfjUca Ł

Aerospace series - Six lobe recess - Drivers, handle

Luft- und Raumfahrt - Sechs-Bogenzahn, Innenantrieb - Schraubendreher

Série aérospatiale - Empreinte six lobes - Tournevis

ITEH STANDARD PREVIEW  
(standards.iteh.ai)

Ta slovenski standard je istoveten z: **EN 4357:2006**

[SIST EN 4357:2009](https://standards.iteh.ai/catalog/standards/sist/8835abb4-c02e-4efd-a880-b999453fbc5e/sist-en-4357-2009)

<https://standards.iteh.ai/catalog/standards/sist/8835abb4-c02e-4efd-a880-b999453fbc5e/sist-en-4357-2009>

**ICS:**

49.030.99      Drugi vezni elementi      Other fasteners

**SIST EN 4357:2009**      **en,de**

**iTeh STANDARD PREVIEW**  
**(standards.iteh.ai)**

SIST EN 4357:2009

<https://standards.iteh.ai/catalog/standards/sist/8835abb4-c02e-4efd-a880-b999453fbe5e/sist-en-4357-2009>

ICS 49.030.99

English Version

## Aerospace series - Six lobe recess - Drivers, handle

Série aérospatiale - Empreinte six lobes - Tournevis

Luft- und Raumfahrt - Sechs-Bogenzahn, Innenantrieb -  
Schraubendreher für Schrauben

This European Standard was approved by CEN on 28 August 2006.

CEN members are bound to comply with the CEN/CENELEC Internal Regulations which stipulate the conditions for giving this European Standard the status of a national standard without any alteration. Up-to-date lists and bibliographical references concerning such national standards may be obtained on application to the Central Secretariat or to any CEN member.

This European Standard exists in three official versions (English, French, German). A version in any other language made by translation under the responsibility of a CEN member into its own language and notified to the Central Secretariat has the same status as the official versions.

CEN members are the national standards bodies of Austria, Belgium, Cyprus, Czech Republic, Denmark, Estonia, Finland, France, Germany, Greece, Hungary, Iceland, Ireland, Italy, Latvia, Lithuania, Luxembourg, Malta, Netherlands, Norway, Poland, Portugal, Romania, Slovakia, Slovenia, Spain, Sweden, Switzerland and United Kingdom.

**STANDARD PREVIEW**  
(standards.iteh.ai)

<https://standards.iteh.ai/catalog/standards/sist/8835abb4-c02e-4efd-a880-b999453fbc5e/sist-en-4357-2009>

EUROPEAN COMMITTEE FOR STANDARDIZATION  
COMITÉ EUROPÉEN DE NORMALISATION  
EUROPÄISCHES KOMITEE FÜR NORMUNG

Management Centre: rue de Stassart, 36 B-1050 Brussels

**Contents**

Page

Foreword.....	3
1 <b>Scope</b> .....	4
2 <b>Normative references</b> .....	4
3 <b>Required characteristics</b> .....	4
4 <b>Designation</b> .....	5
5 <b>Marking</b> .....	6
6 <b>Technical specification</b> .....	6

**iTeh STANDARD PREVIEW**  
**(standards.iteh.ai)**

[SIST EN 4357:2009](#)

<https://standards.iteh.ai/catalog/standards/sist/8835abb4-c02e-4efd-a880-b999453fbe5e/sist-en-4357-2009>

## Foreword

This document (EN 4357:2006) has been prepared by the Aerospace and Defence Industries Association of Europe - Standardization (ASD-STAN).

After enquiries and votes carried out in accordance with the rules of this Association, this Standard has received the approval of the National Associations and the Official Services of the member countries of ASD, prior to its presentation to CEN.

This European Standard shall be given the status of a national standard, either by publication of an identical text or by endorsement, at the latest by June 2007, and conflicting national standards shall be withdrawn at the latest by June 2007.

Attention is drawn to the possibility that some of the elements of this document may be the subject of patent rights. CEN [and/or CENELEC] shall not be held responsible for identifying any or all such patent rights.

According to the CEN/CENELEC Internal Regulations, the national standards organizations of the following countries are bound to implement this European Standard: Austria, Belgium, Cyprus, Czech Republic, Denmark, Estonia, Finland, France, Germany, Greece, Hungary, Iceland, Ireland, Italy, Latvia, Lithuania, Luxembourg, Malta, Netherlands, Norway, Poland, Portugal, Romania, Slovakia, Slovenia, Spain, Sweden, Switzerland and the United Kingdom.

**ITEH STANDARD PREVIEW**  
**(standards.iteh.ai)**

[SIST EN 4357:2009](https://standards.iteh.ai/catalog/standards/sist/8835abb4-c02e-4efd-a880-b999453fbc5e/sist-en-4357-2009)

<https://standards.iteh.ai/catalog/standards/sist/8835abb4-c02e-4efd-a880-b999453fbc5e/sist-en-4357-2009>

## EN 4357:2006 (E)

## 1 Scope

This standard specifies the characteristics of drivers, handle, six lobe recess, for aerospace applications.

## 2 Normative references

The following referenced documents are indispensable for the application of this document. For dated references, only the edition cited applies. For undated references, the latest edition of the referenced document (including any amendments) applies.

EN 2424, *Aerospace series — Marking of aerospace products.*

EN 4359, *Aerospace series — Six lobe recess — Drivers — Technical specification.*

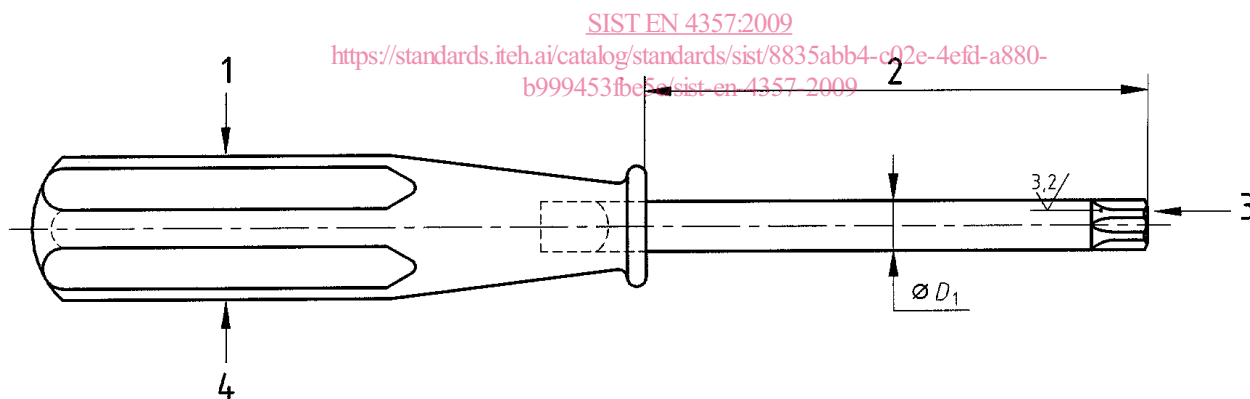
## 3 Required characteristics

### 3.1 Configuration – Dimensions – Tolerances – Masses

See Figures 1 and 2 and Table 1. Dimensions and tolerances are in millimetres.

### 3.2 Materials

The material quality is left at the manufacturer's option but shall meet the requirements of EN 4359.



#### Key

- 1 Marking
- 2 Manufacturer's option
- 3 Driver tip dimensions, see Figure 2 and Table 1.
- 4 Handle shape at manufacturer's option

Figure 1 — Driver configuration

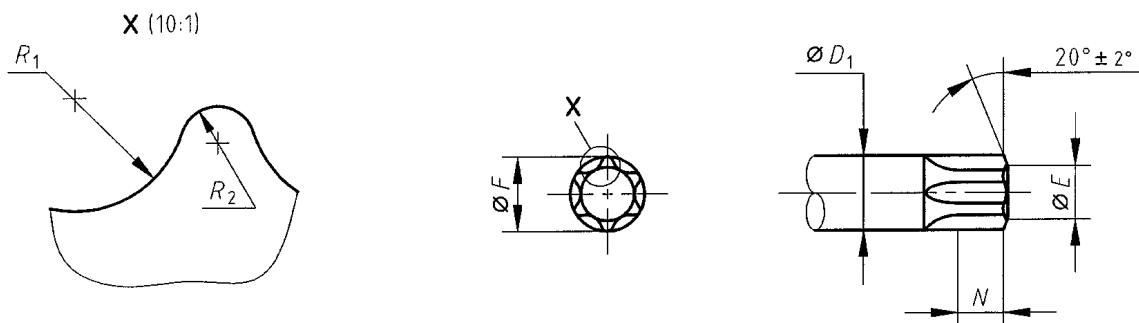


Figure 2 — Driver tip configuration

Table 1 — Driver dimensions

Recess code	$D_1$ max.	$E$ max.	$F$ $\pm 0,05$	$N$ min.	$R_1$ rad.	$R_2$ rad.
06	1,65	1,17	1,65	1,52	0,42	0,11
07	1,96	1,42	1,96		0,48	0,12
08	2,29	1,65	2,29	1,78	0,54	0,16
09	2,46	1,78	2,46		0,58	0,17
10	2,72	1,96	2,72	2,03	0,62	0,20
15	3,25	2,34	3,25	2,16	0,74	0,25
20	3,84	2,77	3,84	2,29	0,87	0,28
25	4,39	3,15	4,39	2,54	0,94	0,35
27	4,95	3,56	4,95		1,13	0,37
30	5,49	3,94	5,49	3,18	1,22	0,42
40	6,60	4,75	6,60	4,57	1,47	0,51
45	7,77	5,54	7,77	5,40	1,83	0,54
50	8,79	6,35	8,79	6,50	1,85	0,74
55	11,18	7,94	11,18	7,65	2,71	0,88
60	13,21	9,45	13,21	9,07	2,94	1,01

## 4 Designation

EXAMPLE

Description block	Identity block
DRIVER, HANDLE, SIX LOBE RECESS	EN4357-55
Number of this standard _____	
Recess code (see Table 1) _____	

NOTE If necessary, the code I9005 shall be placed between the description block and the identity block.

EN 4357:2006 (E)

## 5 Marking

EN 2424, style A, as indicated on Figure 1.

## 6 Technical specification

EN 4359

**iTeh STANDARD PREVIEW**  
**(standards.iteh.ai)**

[SIST EN 4357:2009](#)

<https://standards.iteh.ai/catalog/standards/sist/8835abb4-c02e-4efd-a880-b999453fbe5e/sist-en-4357-2009>