



SLOVENSKI STANDARD
SIST EN 13001-2:2005/AC:2007
01-januar-2007

8 j [[U U f y Y f U j] K E ? c b g h i _ W U E g d ` c y b c ` E ` & " X Y . ` 6 f Y a Y b g _] i] b _]

Cranes - General design - Part 2: Load actions

Krane - Konstruktion allgemein - Teil 2: Lasteinwirkungen

Appareils de levage a charge suspendue - Conception générale - Partie 2: Effets de charge

iTeh STANDARD PREVIEW
(standards.iteh.ai)

Ta slovenski standard je istoveten z: EN 13001-2:2004/AC:2006

[SIST EN 13001-2:2005/AC:2007](https://standards.iteh.ai/catalog/standards/sist/8bc69d17-34a1-4b02-acb8-55e07d606b32/sist-en-13001-2-2005-ac-2007)

<https://standards.iteh.ai/catalog/standards/sist/8bc69d17-34a1-4b02-acb8-55e07d606b32/sist-en-13001-2-2005-ac-2007>

ICS:

53.020.20 Dvigala Cranes

SIST EN 13001-2:2005/AC:2007 **en,de**

iTeh STANDARD PREVIEW
(standards.iteh.ai)

SIST EN 13001-2:2005/AC:2007

<https://standards.iteh.ai/catalog/standards/sist/8bcb9d17-34a1-4b02-acb8-55e07d606f32/sist-en-13001-2-2005-ac-2007>

EUROPEAN STANDARD

EN 13001-2:2004/AC

NORME EUROPÉENNE

July 2006

EUROPÄISCHE NORM

Juillet 2006

Juli 2006

ICS 53.020.20

English version
Version Française
Deutsche Fassung

Cranes - General design - Part 2: Load actions

Appareils de levage à charge suspendue -
Conception générale - Partie 2: Effets de
charge

Krane - Konstruktion allgemein - Teil 2:
Lasteinwirkungen

This corrigendum becomes effective on 5 July 2006 for incorporation in the three official language versions of the EN.

Ce corrigendum prendra effet le 5 juillet 2006 pour incorporation dans les trois versions linguistiques officielles de la EN.

Die Berichtigung tritt am 5. Juli 2006 zur Einarbeitung in die drei offiziellen Sprachfassungen der EN in Kraft.

iTeh STANDARD PREVIEW
(standards.iteh.ai)
<https://standards.iteh.ai/catalog/standards/sist/8bcb9d17-34a1-4b02-acb8-55e07d606b32/sist-en-13001-2-2005-ac-2007>



EUROPEAN COMMITTEE FOR STANDARDIZATION
COMITÉ EUROPÉEN DE NORMALISATION
EUROPÄISCHES KOMITEE FÜR NORMUNG

Management Centre: rue de Stassart, 36 B-1050 Brussels

© 2006 CEN All rights of exploitation in any form and by any means reserved worldwide for CEN national Members.
Tous droits d'exploitation sous quelque forme et de quelque manière que ce soit réservés dans le monde entier aux membres nationaux du CEN.
Alle Rechte der Verwertung, gleich in welcher Form und in welchem Verfahren, sind weltweit den nationalen Mitgliedern von CEN vorbehalten.

Ref. No.: EN 13001-2:2004/AC:2006 D/E/F

English version

English title

Replace the last part of the English title by "Load actions"

Introduction, paragraph 2

Replace "EN 1070" by "EN ISO 12100-1"

Clause 2

Delete normative reference "EN 1070:1998"

Replace normative reference "EN 1990-1:2002, Eurocode - Basis of structural design" by "EN 1990:2002, Eurocode - Basis of structural design"

Clause 3.1

Replace "ENV 1990-1:2002" by "EN 1990:2002"

Delete "EN 1070:1998"

Clause 3.2, Table 1

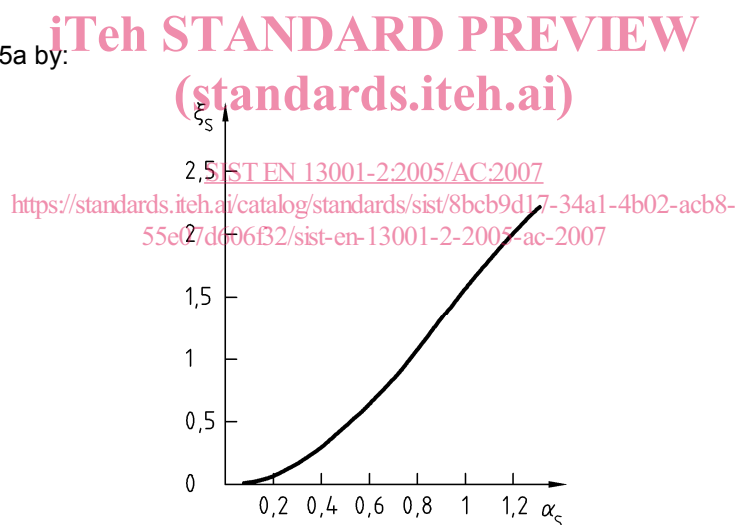
The description of c_0 shall read: "aerodynamic coefficient"

Clause 4.2.1.1

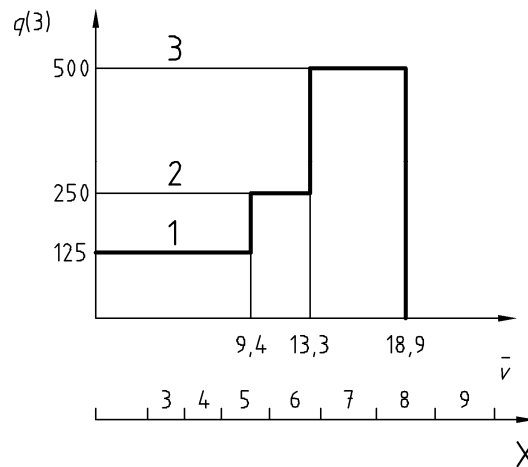
Last reference in the first sentence replace "4.1.5" by "4.2.5"

Figure 5a

Replace Figure 5a by:



Clause 4.2.3.1, Figure 7
 Replace Figure 7 by:



Complete the key as follows

"A Beaufort

- 1 wind states 1
- 2 wind states 2
- 3 wind states 3"

ITeh STANDARD PREVIEW

Clause 4.2.3.4, Note 2

Replace "(mg)" by "(m · g)" **(standards.iteh.ai)**

Clause 4.2.3.4, key to Figure 9

Add the key numbers 7 before "travelling direction" and 8 before "guide means"

Clause 4.2.3.4, Formula 11

Replace " $F_V = v \cdot f \cdot m \cdot g$ " by " $F_y = v \cdot f \cdot m \cdot g$ "

In the explanation of formula replace " $v = \mu'(1 - \sum d_i / nh)$ " by " $v = \mu'(1 - \sum d_i / nh)$ "

Clause 4.2.3.4, Figure 11

In the key replace "S" by "1"

Table A.3, Figure 4

Replace figure by

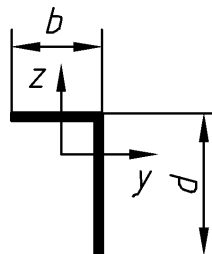


Table A.4, title

Replace table title by "Aerodynamic coefficients c_0 for individual structural members of triangular and rectangular hollow sections"

ANNEX A

Table A.1, Figure 5

Replace figure by

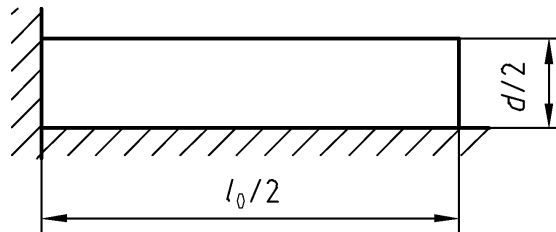


Table A.3, Title of 2nd part

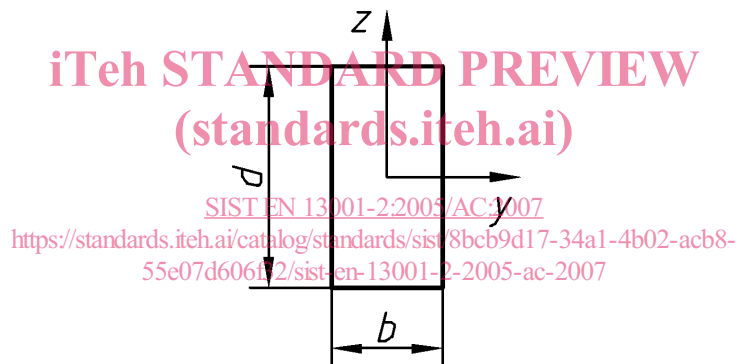
Replace "Tabelle A.3 (abgeschlossen)" by "Table A.3 (concluded)"

Table A.3:

Replace the header of the rightmost column (7) "c_{oy}" by "c_{oz}"

Table A.4, Figure 4

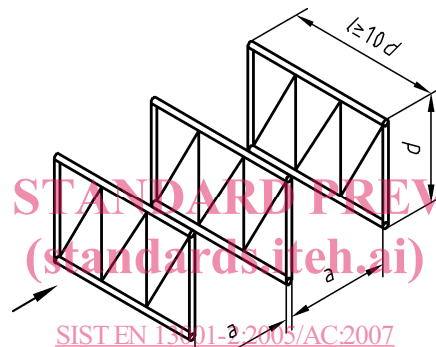
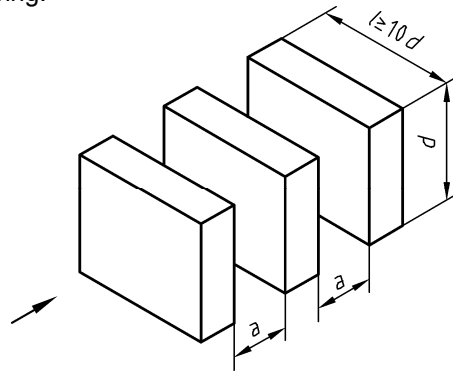
Replace figure by



Over the figure shall be added text as follows: "Rounded corners with $r_d = 1/24$ "

Table A.6

Replace figures by the following:



iTeh STANDARD PREVIEW
(standards.iteh.ai)

[SIST EN 13001-2:2005/AC:2007](https://standards.iteh.ai/catalog/standards/sist/8bcb9d17-34a1-4b02-acb8-55e07d606b32/sist-en-13001-2-2005-ac-2007)

<https://standards.iteh.ai/catalog/standards/sist/8bcb9d17-34a1-4b02-acb8-55e07d606b32/sist-en-13001-2-2005-ac-2007>

Deutsche Fassung

Einleitung

Ersetze "EN 1070" durch "EN ISO 12100-1"

Clause 2

Entferne die Normative Verweisung "EN 1070:1998"

Abschnitt 3.1

Entferne "EN 1070:1998"

Abschnitt 3.2, Tabelle 1

Die Beschreibung von c_0 soll sein: "aerodynamischer Koeffizient"

Ergänze " η_w " Faktor für die verbleibende Hublast außer Betrieb Modus" unterhalb

" η " Abschattungsfaktor"

Abschnitt 4.2.2.2.1, Tabelle 3, 1. Spalte

Ersetze "(siehe 4.2.6)" durch "(siehe 4.3.6)"

Abschnitt 4.2.2.3, Formeln 5 und 6

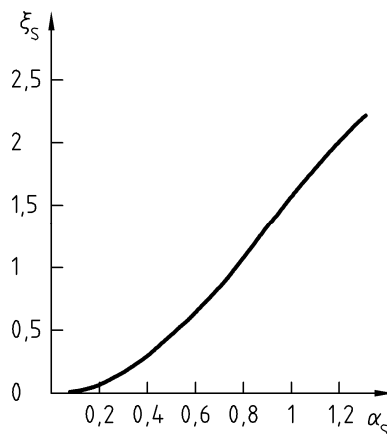
Ersetze " $\phi_4 = 1 + \left(\frac{\pi}{2}\right)^2 \frac{v^2}{gr} \xi_s$ " durch " $\phi_4 = 1 + \left(\frac{\pi}{2}\right)^2 \frac{v^2}{g \cdot r} \xi_s$ " und

" $\phi_4 = 1 + \left(\frac{\pi}{2}\right)^2 \frac{v^2}{gr} \xi_G$ " durch " $\phi_4 = 1 + \left(\frac{\pi}{2}\right)^2 \frac{v^2}{g \cdot r} \xi_G$ "

<https://standards.iteh.ai/catalog/standards/sist/8bcb9d17-34a1-4b02-acb8-55e07d606b32/sist-en-13001-2-2005-ac-2007>

Bild 5a

Ersetze Bild 5a durch



Abschnitt 4.2.3.4, Anmerkung 2

Ersetze "(mg)" durch "(m · g)"

Abschnitt 4.2.3.4

Ersetze die Bilder 9 und 10 durch folgende

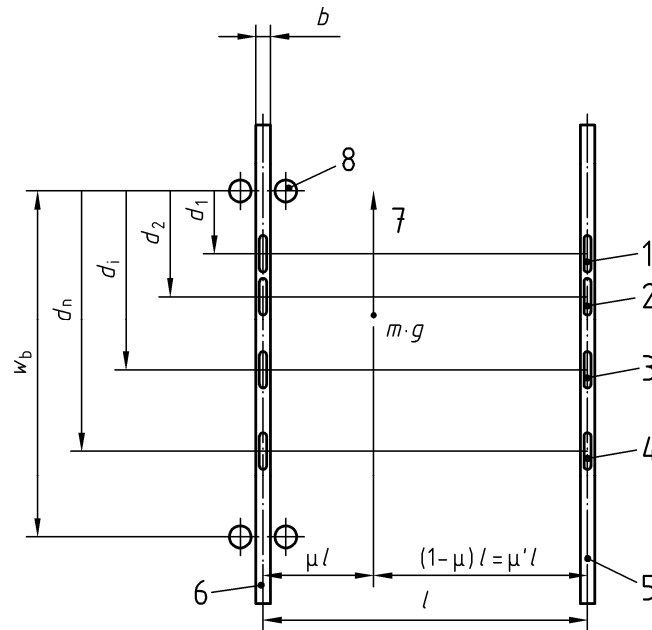


Bild 9

iTeh STANDARD PREVIEW
(standards.iteh.ai)

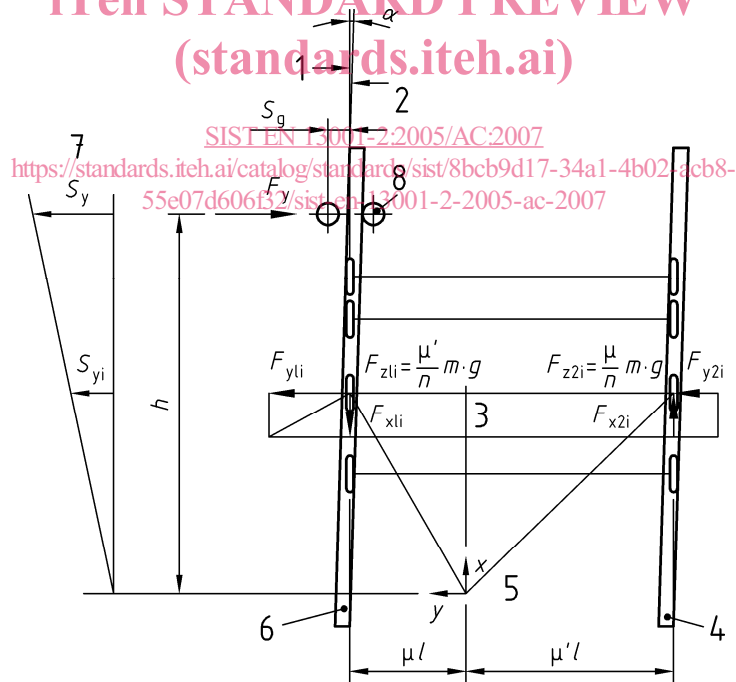


Bild 10

Abschnitt 4.3.6, Tabelle 10, Zeile 12, Spalte C3

Ersetze in Zeile 12 "Lasten aus Wind außer Betrieb", Spalte "Lastkombinationen C3" den Wert "1" durch "-"