
**Key type three-jaw drill chucks —
Specification**

Mandrins de perceuse trois mors à clé — Spécifications

iTeh STANDARD PREVIEW
(standards.iteh.ai)

[ISO 10887:1999](https://standards.iteh.ai/catalog/standards/sist/1ccb147a-bb85-4ee8-a598-f47dff8506d/iso-10887-1999)

<https://standards.iteh.ai/catalog/standards/sist/1ccb147a-bb85-4ee8-a598-f47dff8506d/iso-10887-1999>



Contents	Page
1 Scope	1
2 Normative references	1
3 Classes	1
4 Keyed three-jaw drill chucks	2
4.1 Dimensions.....	2
4.2 Drill chuck mounts.....	4
5 Concentricity tolerances	6
6 Chuck keys — Key types	7
7 Designation	9
7.1 Three-jaw drill chucks	9
7.2 Chuck keys	9
8 Marking	10
8.1 General.....	10
8.2 Three-jaw drill chucks	10
8.3 Chuck keys	10

iTeh STANDARD PREVIEW
(standards.iteh.ai)

<https://standards.iteh.ai/catalog/standards/sist/fccb147a-bb85-4cc8-a598-f47dfd8506d/iso-10887-1999>

© ISO 1999

All rights reserved. Unless otherwise specified, no part of this publication may be reproduced or utilized in any form or by any means, electronic or mechanical, including photocopying and microfilm, without permission in writing from the publisher.

International Organization for Standardization
Case postale 56 • CH-1211 Genève 20 • Switzerland
Internet iso@iso.ch

Printed in Switzerland

Foreword

ISO (the International Organization for Standardization) is a worldwide federation of national standards bodies (ISO member bodies). The work of preparing International Standards is normally carried out through ISO technical committees. Each member body interested in a subject for which a technical committee has been established has the right to be represented on that committee. International organizations, governmental and non-governmental, in liaison with ISO, also take part in the work. ISO collaborates closely with the International Electrotechnical Commission (IEC) on all matters of electrotechnical standardization.

International Standards are drafted in accordance with the rules given in the ISO/IEC Directives, Part 3.

Draft International Standards adopted by the technical committees are circulated to the member bodies for voting. Publication as an International Standard requires approval by at least 75 % of the member bodies casting a vote.

International Standard ISO 10887 was prepared by Technical Committee ISO/TC 29, *Small tools*.

iTeh STANDARD PREVIEW (standards.iteh.ai)

ISO 10887:1999

<https://standards.iteh.ai/catalog/standards/sist/1ccb147a-bb85-4ee8-a598-f47dff8506d/iso-10887-1999>

iTeh STANDARD PREVIEW
(standards.iteh.ai)

ISO 10887:1999

<https://standards.iteh.ai/catalog/standards/sist/1ccb147a-bb85-4ee8-a598-f47dff8506d/iso-10887-1999>

Key type three-jaw drill chucks — Specification

1 Scope

This International Standard specifies the dimensional characteristics and concentricity tolerance requirements for key type three-jaw drill chucks with taper bore or internal thread mounts.

Three classes of chucks are specified, namely:

- Heavy (H)
- Medium (M)
- Light (L)

for use in various fields of activity.

Basic dimensions for three-jaw drill chuck keys are also specified.

2 Normative references

The following normative documents contain provisions which, through reference in this text, constitute provisions of this International Standard. For dated references, subsequent amendments to, or revisions of, any of these publications do not apply. However, parties to agreements based on this International Standard are encouraged to investigate the possibility of applying the most recent editions of the normative documents indicated below. For undated references, the latest edition of normative document referred to applies. Members of ISO and IEC maintain registers of currently valid International Standards.

ISO 239:1999, *Drill chuck tapers*.

ISO 263:1973, *ISO inch screw threads — General plan and selection for screws, bolts and nuts — Diameter range 0.06 to 6 in.*

ISO 725:1978, *ISO inch screw threads — Basic dimensions*.

ISO 5864:1978, *ISO inch screw threads — Allowances and tolerances*.

3 Classes

For the purposes of this International Standard the following classes of use are defined:

Class	Type	Use
H	Heavy duty chucks	for use on machine tools and heavy duty portable machines
M	Medium duty chucks	primarily for use on light industrial and portable tools
L	Light duty chucks	for use on light industrial and the do-it-yourself (D.I.Y.) range of tools, corded or cordless

4 Keyed three-jaw drill chucks

4.1 Dimensions

4.1.1 Taper mount type

See Figure 1 and Table 1.

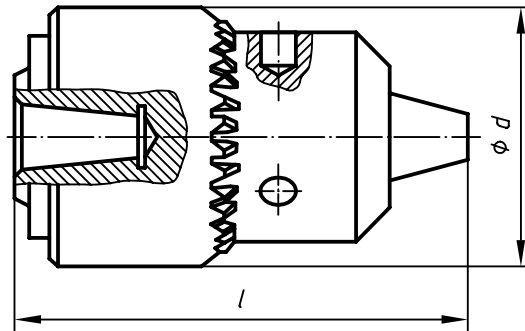


Figure 1 — Three-jaw drill chuck — Taper mount type

Table 1 — Three-jaw drill chucks — Taper mount type — Overall dimensions

Dimensions in millimetres

Class		4H	6,5H	8H	10H	13H	16H	20H	26H
Heavy (H)	Capacity (from/to)	0,5/4	0,8/6,5	0,8/8	1/10	1/13	1/16	5/20	5/26
	<i>l</i> max. ^a	50	60	62	80	93	106	120	148
	<i>d</i> max.	26	38	38	46	55	60	65	93
Class		—	6,5M	8M	10M	13M	16M	—	—
Medium (M)	Capacity (from/to)	—	0,8/6,5	0,8/8	1/10	1,5/13	3/16	—	—
	<i>l</i> max. ^a	—	58	58	65	82	93	—	—
	<i>d</i> max.	—	35	35	42,9	47	52	—	—
Class		—	6,5L	8L	10L	13L	—	—	—
Light (L)	Capacity (from/to)	—	0,8/6,5	1/8	1,5/10	2,5/13	—	—	—
	<i>l</i> max. ^a	—	56	56	65	82	—	—	—
	<i>d</i> max.	—	30	30	34	42,9	—	—	—

^a *l* max.: chucks with closed jaws.

4.1.2 Internal thread mount type

See Figure 2 and Table 2.

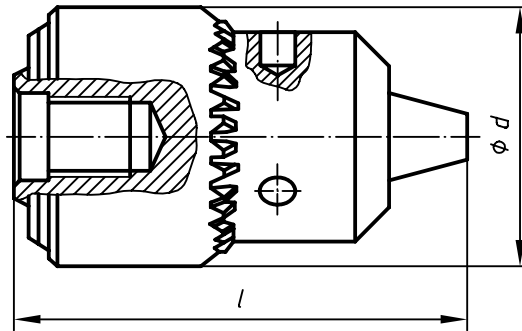


Figure 2 — Three-jaw drill chuck — Internal thread mount type

Table 2 — Three-jaw drill chucks — Internal thread mount type — Overall dimensions

Dimensions in millimetres

Class		4H	6,5H	8H	10H	13H	16H	20H
Heavy (H)	Capacity (from/to)	0,5/4	0,8/6,5	0,8/8	1/10	1/13	1/16	5/20
	l max. ^a	50	60	62	80	90	100	110
	d max.	26	34	38	46	55	60	65
Class		—	6,5M	8M	10M	13M	16M	—
Medium (M)	Capacity (from/to)	—	0,8/6,5	0,8/8	1/10	1,5/13	3/16	—
	l max. ^a	—	56	56	65	82	90	—
	d max.	—	35	35	42,9	46	52	—
Class		—	6,5L	8L	10L	13L	—	—
Light (L)	Capacity (from/to)	—	0,8/6,5	1/8	1,5/10	2,5/13	—	—
	l max. ^a	—	56	56	65	82	—	—
	d max.	—	30	30	34	42,9	—	—
^a l max.: chucks with closed jaws								

4.2 Drill chuck mounts

4.2.1 Taper mount type

See Figure 3 and Table 3.

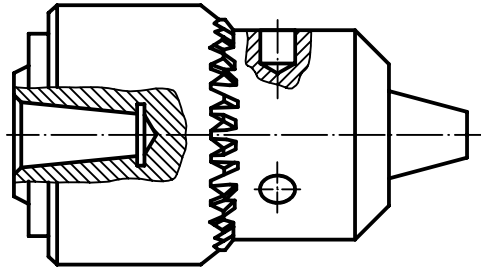


Figure 3 — Three-jaw drill chuck — Taper mount type

Table 3 — Three-jaw drill chucks — Taper mount designation

Class	Capacity max. mm	Morse taper mount Designation No.						Jacobs taper mount Designation No.								
		B10	B12	B16	B18	B22	B24	0	1	2 ^{sa}	2	33	6	(3)	(4)	(5)
Heavy (H)	4H	4	×					×								
	6,5H	6,5		×					×							
	8H	8		×						×						
	10H	10			×					×	×	×				
	13H	13			×							×	×			
	16H	16				×								×		
	20H	20					×							×		
	26H	26						×							×	×
Medium (M)	6,5M	6,5	×						×							
	8M	8		×					×							
	10M	10		×						×	×	×				
	13M	13			×						×	×	×			
	16M	16			×								×			
Light (L)	6,5L	6,5	×						×							
	8L	8	×						×							
	10L	10		×						×	×	×				
	13L	13		×	×						×	×	×			

NOTE For dimensional details of tapers, see ISO 239.

^a Short Jacobs taper mount.

4.2.2 Internal thread mount type

See Figure 4 and Table 4.

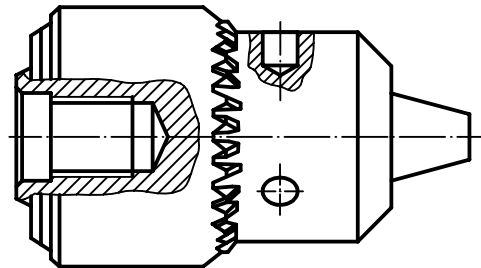


Figure 4 — Three-jaw drill chuck — Internal thread mount type

Table 4 — Three-jaw drill chucks — Internal thread mount designation

Class	Capacity max. mm	Thread — inch series				
		Designation				
		5/16 x 24	3/8 x 24	1/2 x 20	5/8 x 16	3/4 x 16
		Minimum depth mm				
		12	14,5	16	19	20
Heavy (H)	4H	4	×			
	6,5H	6,5		×		
	8H	8		×		
	10H	10			×	
	13H	13			×	×
	16H	16			×	×
	20H	20				
Medium (M)	6,5M	6,5	×	×		
	8M	8		×	×	
	10M	10		×	×	
	13M	13			×	
	16M	16			×	×
Light (L)	6,5L	6,5		×		
	8L	8		×	×	
	10L	10		×	×	
	13L	13		×	×	

NOTE Only ISO inch screw threads in accordance with ISO 263, ISO 725 and ISO 5864 are presented as industrial practice is to use and specify the inch screw threads.