



SLOVENSKI STANDARD

oSIST prEN 408:2009

01-maj-2009

Lesene konstrukcije - Konstrukcijski les in lepljeni lamelirani les - Ugotavljanje nekaterih fizikalnih in mehanskih lastnosti

Timber Structures - Structural timber and glued laminated timber - Determination of some physical and mechanical properties

Holzbauwerke - Bauholz für tragende Zwecke und Brettschichtholz - Bestimmung einiger physikalischer und mechanischer Eigenschaften

Structures en bois - Bois de structure et bois lamellé-collé - Détermination de certaines propriétés physiques et mécaniques

Ta slovenski standard je istoveten z: prEN 408

ICS:

79.040	Les, hlodovina in žagan les	Wood, sawlogs and sawn timber
79.060.99	Öi * ^Á•} ^Á z ^	Other wood-based panels
91.080.20	Lesene konstrukcije	Timber structures

oSIST prEN 408:2009

en,fr,de

EUROPEAN STANDARD
NORME EUROPÉENNE
EUROPÄISCHE NORM

DRAFT
prEN 408

February 2009

ICS 79.040; 79.060.99; 91.080.20

Will supersede EN 408:2003

English Version

Timber Structures - Structural timber and glued laminated timber - Determination of some physical and mechanical properties

Structures en bois - Bois de structure et bois lamellé-collé -
Détermination de certaines propriétés physiques et
mécaniques

Holzbauwerke - Bauholz für tragende Zwecke und
Brettschichtholz - Bestimmung einiger physikalischer und
mechanischer Eigenschaften

This draft European Standard is submitted to CEN members for enquiry. It has been drawn up by the Technical Committee CEN/TC 124.

If this draft becomes a European Standard, CEN members are bound to comply with the CEN/CENELEC Internal Regulations which stipulate the conditions for giving this European Standard the status of a national standard without any alteration.

This draft European Standard was established by CEN in three official versions (English, French, German). A version in any other language made by translation under the responsibility of a CEN member into its own language and notified to the CEN Management Centre has the same status as the official versions.

CEN members are the national standards bodies of Austria, Belgium, Bulgaria, Cyprus, Czech Republic, Denmark, Estonia, Finland, France, Germany, Greece, Hungary, Iceland, Ireland, Italy, Latvia, Lithuania, Luxembourg, Malta, Netherlands, Norway, Poland, Portugal, Romania, Slovakia, Slovenia, Spain, Sweden, Switzerland and United Kingdom.

Recipients of this draft are invited to submit, with their comments, notification of any relevant patent rights of which they are aware and to provide supporting documentation.

Warning : This document is not a European Standard. It is distributed for review and comments. It is subject to change without notice and shall not be referred to as a European Standard.



EUROPEAN COMMITTEE FOR STANDARDIZATION
COMITÉ EUROPÉEN DE NORMALISATION
EUROPÄISCHES KOMITEE FÜR NORMUNG

Management Centre: Avenue Marnix 17, B-1000 Brussels

Contents

Page

Foreword.....	4
Introduction	4
1 Scope	5
2 Normative references	5
3 Terms and definitions	5
4 Symbols and abbreviations	5
5 Determination of dimensions of test pieces	7
6 Determination of moisture content of test pieces.....	7
7 Determination of density of test pieces	7
8 Conditioning of test pieces.....	7
9 Determination of local modulus of elasticity in bending.....	8
9.1 Test piece	8
9.2 Procedure	8
9.3 Expression of results	9
10 Determination of global modulus of elasticity in bending	10
10.1 Test piece	10
10.2 Procedure	10
10.3 Expression of results	11
11 Determination of the shear modulus	12
11.1 Torison method.....	12
11.1.1 Test piece	12
11.1.2 procedure	12
11.1.3 Expression of results	14
11.2 Shear field test method	14
11.2.1 Test piece	14
11.2.2 Procedure	14
11.2.3 Expression of results	16
NOTE..... For non rectangular cross-section structural engineering principals apply.	17
12 Determination of modulus of elasticity in tension parallel to the grain.....	17
12.1 Test piece	17
12.2 Procedure	17
12.3 Expression of results	17
13 Determination of tension strength parallel to the grain.....	18
13.1 Test piece	18
13.2 Procedure	18
13.3 Expression of results	18
14 Determination of modulus of elasticity in compression parallel to the grain	19
14.1 Test piece	19
14.2 Procedure	19
14.3 Expression of results	19
15 Determination of compression strength parallel to grain	20
15.1 Test piece	20
15.2 Procedure	20

15.3	Expression of results	20
16	Determination of tension and compression strengths perpendicular to the grain	20
16.1	Requirements for test pieces	20
16.1.1	Fabrication	20
16.1.2	Surface preparation.....	21
16.2	Procedure	21
16.3	Expression of results	23
16.3.1	Compression perpendicular to the grain	23
16.3.2	Tension perpendicular to the grain	24
17	Determination of modulus of elasticity perpendicular to the grain	24
17.1	Requirements for test pieces	24
17.2	Procedure.....	24
17.3	Expression of results	24
17.3.1	Compression perpendicular to the grain	24
17.3.2	Tension perpendicular to the grain	25
18	Determination of shear strength parallel to the grain	26
18.1	Requirements for test pieces	26
18.1.1	Fabrication	26
18.1.2	Surface preparation.....	26
18.2	Procedure	27
18.3	Expression of results	28
19	Bending strength parallel to grain	28
19.1	Test Piece	28
19.2	Procedure	28
19.3	Expression of results	30
20	Test report.....	30
20.1	General	30
20.2	Test piece	30
20.3	Test method	30
20.4	Test results	31
Annex A	(informative) Example of compression perpendicular to grain test arrangement	32
Annex B	(informative) Example of tension perpendicular to grain test arrangement with rigid fixings	34

Foreword

This document (prEN 408:2009) has been prepared by Technical Committee CEN/TC 124 “Timber structures”, the secretariat of which is held by SFS.

This document is currently submitted to the CEN Enquiry.

This document will supersede EN 408:2003.

In this revised standard a new parallel to grain shear test is to replace the one in EN 408:2003

Annexes A and B are informative.

Introduction

This 2007 revision replaces the test for the determination of the shear strength parallel to grain.

The revised edition of 2003 added a global bending modulus of elasticity, whilst renaming the existing test as the local modulus of elasticity. It also includes the methods for determination of shear strength and mechanical properties perpendicular to the grain, previously given in EN 1193 which has now been withdrawn

The values obtained in any determination of the properties of timber depend upon the test methods used. It is therefore desirable that these methods be standardized so that results from different test centres can be correlated. Moreover, with the adoption of limit state design and with the development of both visual and machine stress grading, attention will be increasingly centred on the determination and monitoring of the strength properties and variability of timber in structural sizes. Again, this can be more effectively undertaken if the basic data are defined and obtained under the same conditions.

This European Standard, which is based originally on ISO 8375, specifies laboratory methods for the determination of some physical and mechanical properties of timber in structural sizes. The methods are not intended for the grading of timber or for quality control.

For the determination of shear modulus, alternative methods have been specified. The choice of which to use will depend upon the objective of the investigation and, to some extent, on the equipment available. Following testing to this standard it is intended that the determination of characteristic values will normally be obtained according to procedures specified in other European Standards.

Attention is drawn to the advantages that may be gained, often with little extra effort, in extending the usefulness of test results by recording additional information on the growth characteristics of the pieces that are tested, particularly at the fracture sections. Generally, such additional information should include grade-determining features such as knots, slope of grain, rate of growth, wane, etc., on which visual grading rules are based, and strength indicating parameters such as localized modulus of elasticity, on which some machine stress grading is based.

1 Scope

This European Standard specifies test methods for determining the following properties of structural timber and glued laminated timber: modulus of elasticity in bending; shear modulus; bending strength; modulus of elasticity in tension parallel to the grain; tension strength parallel to the grain; modulus of elasticity in compression parallel to the grain; compression strength parallel to the grain; modulus of elasticity in tension perpendicular to the grain; tension strength perpendicular to the grain; modulus of elasticity in compression perpendicular to the grain; compression strength perpendicular to the grain and shear strength.

In addition, the determination of dimensions, moisture content, and density of test pieces are specified.

The methods apply to rectangular and circular shapes (of substantially constant cross section) of solid unjointed timber or finger-jointed timber and glued laminated timber unless stated otherwise.

2 Normative references

This European Standard incorporates by dated or undated reference, provisions from other publications. These normative references are cited at the appropriate places in the text, and the publications are listed hereafter. For dated references, subsequent amendments to or revisions of any of these publications apply to this European Standard only when incorporated in it by amendment or revision. For undated references the latest edition of the publication referred to applies (including amendments).

EN 13183-1 *Moisture content of a piece of sawn timber - Part 1: Determination by oven dry method*

3 Terms and definitions

None.

4 Symbols and abbreviations

φ	rotation, in radians
χ, η	shape factors
A	cross-sectional area, in square millimetres;
a	distance between a loading position and the nearest support in a bending test, in millimetres;
b	width of cross section in a bending test, or the smaller dimension of the cross section, in millimetres;
$E_{c,0}$	modulus of elasticity in compression parallel to the grain, in newtons per square millimetre;
$E_{c,90}$	modulus of elasticity in compression perpendicular to the grain, in newtons per square millimetre;
$E_{m,g}$	global modulus of elasticity in bending, in newtons per square millimetre;
$E_{m,l}$	local modulus of elasticity in bending, in newtons per square millimetre;
$E_{m,app}$	apparent modulus of elasticity in bending, in newtons per square millimetre;
$E_{t,0}$	modulus of elasticity in tension parallel to the grain, in newtons per square millimetre;

prEN 408:2009 (E)

$E_{t,90}$	modulus of elasticity in tension perpendicular to the grain, in newtons per square millimetre;
F	load, in newtons;
$F_{c,90}$	compressive load perpendicular to the grain, in newtons;
$F_{c,90,max}$	maximum compressive load perpendicular to the grain, in newtons;
$F_{c,90,max,est}$	estimated maximum compressive load perpendicular to the grain, in newtons;
F_{max}	maximum load, in newtons;
$F_{max,est}$	estimated maximum load, in newtons;
$F_{t,90}$	tensile load perpendicular to the grain, in newtons;
$F_{t,90,max}$	maximum tensile load perpendicular to the grain, in newtons;
S	first moment of area, in millimetres to the third power;
$f_{c,0}$	compressive strength parallel to the grain, in newtons per square millimetre;
$f_{c,90}$	compressive strength perpendicular to the grain, in newtons per square millimetre;
f_m	bending strength, in newtons per square millimetre;
$f_{t,0}$	tensile strength parallel to the grain, in newtons per square millimetre;
$f_{t,90}$	tensile strength perpendicular to the grain, in newtons per square millimetre;
$f_{v,z}$	shear strength parallel to the grain, in newtons per square millimetre;
$f_{v,k}$	characteristic shear strength parallel to the grain, in newtons per square millimetre;
G	shear modulus, in newtons per square millimetre;
$G_{tor,t}$	shear modulus in torsion, in newtons per square millimetre;
$G_{tor,s}$	shear modulus in shear field, in newtons per square millimetre; h depth of cross section in a bending test, or the larger dimension of the cross section, or the test piece height in perpendicular to grain and shear tests, in millimetres;
h_0	gauge length, in millimetres;
I	second moment of area, in millimetres to the fourth power;
K, k	coefficients;
k_G	coefficient for shear modulus;
k_{ror}	torque stiffness; newton metre per radian;
k_s	shear stiffness;
ℓ	span in bending, or length of test piece between the testing machine grips in compression and tension or torsion, in millimetres;
ℓ_1	gauge length for the determination of modulus of elasticity or shear modulus, in millimetres;

T	plate thickness, in millimetres;
T_r	torque, in newton millimetres;
V_s	is the shear force, in newton;
W	section modulus, in millimetres to the third power;
w	deformation, in millimetres;

Suffixes

1, 2 refer to loads or deformations or pieces at particular points of a test and are referred to as necessary in the text.

5 Determination of dimensions of test pieces

The dimensions of the test piece shall be measured to an accuracy of 1%. All measurements shall be made when the test pieces are conditioned as specified in clause 8. If the width or thickness varies within a test piece, these dimensions should be recorded as the average of three separate measurements taken at different positions on the length of each piece.

The measurements shall not be taken closer than 150 mm to the ends.

Specimens for perpendicular to grain tests shall be planed.

6 Determination of moisture content of test pieces

The moisture content of the test piece shall be determined in accordance with EN 13183-1 on a section taken from the test piece. For structural timber the section shall be of full cross section, free from knots and resin pockets. For perpendicular to grain test specimens the moisture content shall be determined from the whole specimen.

In strength tests for bending and tension parallel to grain and compression parallel to grain, the section shall be cut as close as possible to the fracture.

7 Determination of density of test pieces

The density of the whole cross section of the test piece shall be determined on a section taken from the test piece. For structural timber the section shall be of full cross section, free from knots and resin pockets.

In strength tests, the section shall be cut as close as possible to the fracture.

For perpendicular to grain test specimens the density of the test pieces shall be determined prior to test after conditioning from the measurements of mass and volume of the whole test piece.

8 Conditioning of test pieces

All tests shall be carried out on pieces, which are conditioned at the standard environment of $(20 \pm 2) ^\circ\text{C}$ and $(65 \pm 5) \%$ relative humidity. A test piece is conditioned when it attains constant mass. Constant mass is considered to be attained when the results of two successive weighings, carried out at an interval of 6 h, do not differ by more than 0,1% of the mass of the test piece.

Where the timber to be tested is not readily conditionable to the above standard environment (e.g. for hardwoods with high densities), that fact shall be reported.

prEN 408:2009 (E)

For small specimens, unless otherwise protected, test pieces shall not be removed from the conditioning environment more than 1 h before testing.

NOTE Test pieces can be stored in the test area for up to 24 h provided they are close piled and wrapped in vapour tight sheeting.

9 Determination of local modulus of elasticity in bending

9.1 Test piece

The test piece shall have a minimum length of 19 times the depth of the section. Where this is not possible, the span of the beam shall be reported.

9.2 Procedure

The test piece shall be symmetrically loaded in bending at two points over a span of 18 times the depth as shown in Figure 1. If the test piece and equipment do not permit these conditions to be achieved exactly, the distance between the load points and the supports may be changed by an amount not greater than 1,5 times the piece depth, and the span and test piece length may be changed by an amount not greater than three times the piece depth, while maintaining the symmetry of the test.

The test piece shall be simply supported.

NOTE Small steel plates of length not greater than one-half of the depth of the test piece may be inserted between the piece and the loading heads or supports to minimize local indentation.

Lateral restraint shall be provided as necessary to prevent buckling. This restraint shall permit the piece to deflect without significant frictional resistance.

Load shall be applied at a constant rate. The rate of movement of the loading head shall be not greater than 0,003 h mm/s (see Figure 1).

The maximum load applied shall not exceed the 0,4 F_{\max} .

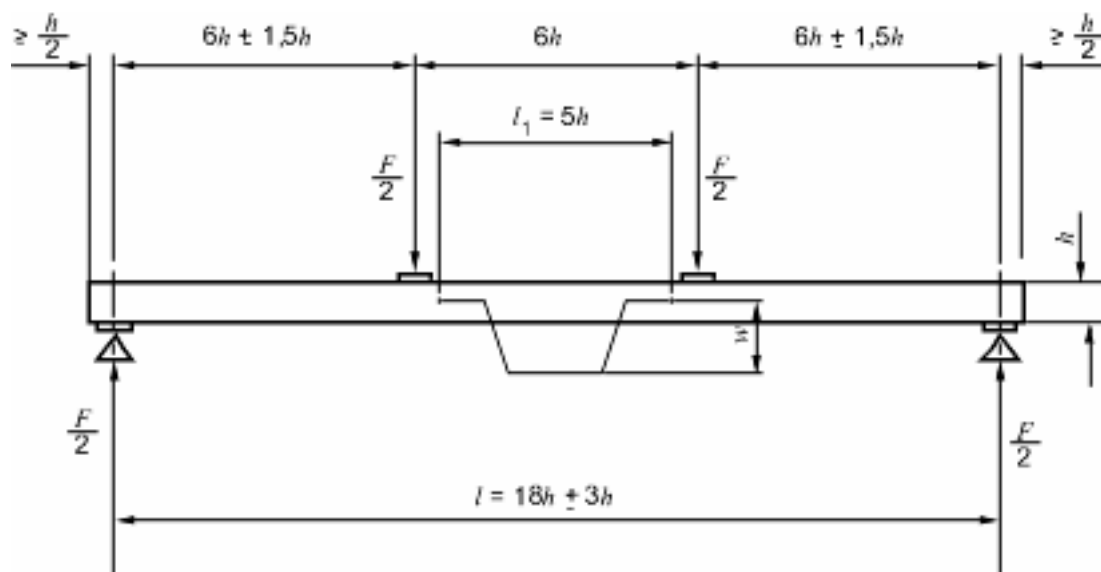


Figure 1 — Test arrangement for measuring local modulus of elasticity in bending

The loading equipment used shall be capable of measuring the load to an accuracy of 1 % of the load applied to the test piece or, for loads less than 10 % of the applied maximum load, with an accuracy of 0,1 % of the maximum applied load.

The deformation w shall be taken as the average of measurements on both faces at the neutral axis, and shall be measured at the centre of a central gauge length of five times the depth of the section.

The measuring equipment used shall be capable of measuring deformation to an accuracy of 1 % or, for deformations less than 2 mm, with an accuracy of 0,02 mm.

9.3 Expression of results

Using data obtained from the local modulus of elasticity test, plot the load/deformation graph.

Use that section of the graph between $0,1F_{\max}$ and $0,4 F_{\max}$ for a regression analysis.

Find the longest portion of this section that gives a correlation coefficient of 0,99 or better. Provided that this portion covers at least the range $0,2 F_{\max}$ to $0,3 F_{\max}$, calculate the local modulus of elasticity from the following expression:

$$E_{m,l} = \frac{al_1^2(F_2 - F_1)}{16I(w_2 - w_1)}$$

where

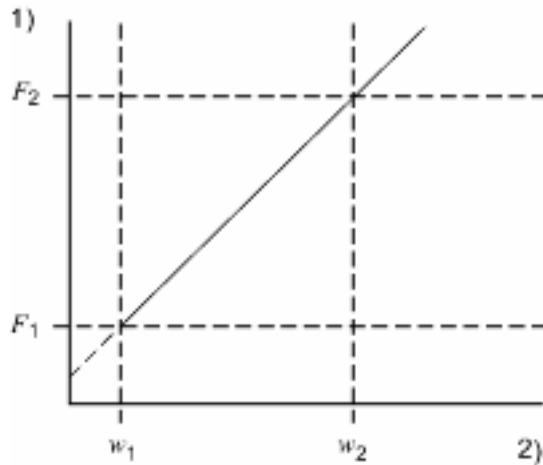
$F_2 - F_1$ is an increment of load in newtons on the regression line with a correlation coefficient of 0,99 or better and

$w_2 - w_1$ is the increment of deformation in millimetres corresponding to $F_2 - F_1$ (see Figure 2).

The local modulus of elasticity shall be calculated to an accuracy of 1 %.

If a portion of the graph cannot be found with a correlation coefficient of 0,99 or better covering the range $0,2 F_{\max}$ to $0,3 F_{\max}$, check the test equipment and take measures to eradicate any errors caused by distorted specimens. If 0,99 is still not achieved, discard the specimen.

The modulus of elasticity shall be calculated to an accuracy of 1 %.



Key

- 1) Load
- 2) Deformation

Figure 2 — Load-deformation graph within the range of elastic deformation

10 Determination of global modulus of elasticity in bending

10.1 Test piece

The test piece shall have a minimum length of 19 times the depth of the section. Where this is not possible, the span of the beam shall be reported.

10.2 Procedure

The test piece shall be symmetrically loaded in bending at two points over a span of 18 times the depth as shown in Figure 3. If the test piece and equipment do not permit these conditions to be achieved exactly, the distance between the load points and the supports may be changed by an amount not greater than 1,5 times the piece depth, and the span and test piece length may be changed by an amount not greater than three times the piece depth, while maintaining the symmetry of the test.

The test piece shall be simply supported.

NOTE 1 Small steel plates of length not greater than one-half of the depth of the test piece may be inserted between the piece and the loading heads or supports to minimize local indentation.

Lateral restraint shall be provided as necessary to prevent buckling. This restraint shall permit the piece to deflect without significant frictional resistance.

Load shall be applied at a constant rate. The rate of movement of the loading head shall be not greater than $0,003h$ mm/s (see Figure 3).

The maximum load applied shall not exceed $0,4 F_{max}$ or cause damage to the piece.