
**Textile machinery and accessories —
Main dimensions for section wires for
metallic card clothing —**

Part 2:

Foot with interchaining

iTeh STANDARD PREVIEW
(standards.iteh.ai)

*Matériel pour l'industrie textile — Dimensions principales des fils pour
garnitures de carte*

Partie 2: Profil enchaîné à talon autobloquant

ISO 9903-2:2003

<https://standards.iteh.ai/catalog/standards/sist/e8a67d8e-7fcf-4392-b799-9d6285269de7/iso-9903-2-2003>



PDF disclaimer

This PDF file may contain embedded typefaces. In accordance with Adobe's licensing policy, this file may be printed or viewed but shall not be edited unless the typefaces which are embedded are licensed to and installed on the computer performing the editing. In downloading this file, parties accept therein the responsibility of not infringing Adobe's licensing policy. The ISO Central Secretariat accepts no liability in this area.

Adobe is a trademark of Adobe Systems Incorporated.

Details of the software products used to create this PDF file can be found in the General Info relative to the file; the PDF-creation parameters were optimized for printing. Every care has been taken to ensure that the file is suitable for use by ISO member bodies. In the unlikely event that a problem relating to it is found, please inform the Central Secretariat at the address given below.

iTeh STANDARD PREVIEW
(standards.iteh.ai)

[ISO 9903-2:2003](https://standards.iteh.ai/catalog/standards/sist/e8a67d8e-7fcf-4392-b799-9d6285269de7/iso-9903-2-2003)

<https://standards.iteh.ai/catalog/standards/sist/e8a67d8e-7fcf-4392-b799-9d6285269de7/iso-9903-2-2003>

© ISO 2003

All rights reserved. Unless otherwise specified, no part of this publication may be reproduced or utilized in any form or by any means, electronic or mechanical, including photocopying and microfilm, without permission in writing from either ISO at the address below or ISO's member body in the country of the requester.

ISO copyright office
Case postale 56 • CH-1211 Geneva 20
Tel. + 41 22 749 01 11
Fax + 41 22 749 09 47
E-mail copyright@iso.org
Web www.iso.org

Published in Switzerland

Foreword

ISO (the International Organization for Standardization) is a worldwide federation of national standards bodies (ISO member bodies). The work of preparing International Standards is normally carried out through ISO technical committees. Each member body interested in a subject for which a technical committee has been established has the right to be represented on that committee. International organizations, governmental and non-governmental, in liaison with ISO, also take part in the work. ISO collaborates closely with the International Electrotechnical Commission (IEC) on all matters of electrotechnical standardization.

International Standards are drafted in accordance with the rules given in the ISO/IEC Directives, Part 2.

The main task of technical committees is to prepare International Standards. Draft International Standards adopted by the technical committees are circulated to the member bodies for voting. Publication as an International Standard requires approval by at least 75 % of the member bodies casting a vote.

Attention is drawn to the possibility that some of the elements of this document may be the subject of patent rights. ISO shall not be held responsible for identifying any or all such patent rights.

ISO 9903-2 was prepared by Technical Committee ISO/TC 72, *Textile machinery and machinery for dry-cleaning and industrial laundering*, Subcommittee SC 1, *Spinning preparatory, spinning, twisting and winding machinery and accessories*.

This first edition, together with the first edition of ISO 9903-1, cancels and replaces ISO 9903:1991, which has been technically revised.

ISO 9903 consists of the following parts, under the general title *Textile machinery and accessories — Main dimensions for section wires for metallic card clothing*:

- Part 1: *Foot without interlocking or interchaining*
- Part 2: *Foot with interchaining*

iTeh STANDARD PREVIEW
(standards.iteh.ai)

ISO 9903-2:2003

<https://standards.iteh.ai/catalog/standards/sist/e8a67d8e-7fcf-4392-b799-9d6285269de7/iso-9903-2-2003>

Textile machinery and accessories — Main dimensions for section wires for metallic card clothing —

Part 2: Foot with interchaining

1 Scope

This part of ISO 9903 specifies the main dimensions for section wires for metallic card clothing with interchaining foot.

2 Normative references

The following referenced documents are indispensable for the application of this document. For dated references, only the edition cited applies. For undated references, the latest edition of the referenced document (including any amendments) applies.

ISO 5234, *Textile machinery and accessories — Metallic card clothing — Terms and definitions*

ISO 9903-2:2003

<https://standards.iteh.ai/catalog/standards/sist/e8a67d8e-7fcf-4392-b799-500169de7/iso-9903-2-2003>

3 Terms, definitions and symbols

For the purposes of this document, the terms and definitions and the symbols given in ISO 5234 apply.

4 Dimensions

Dimensions shall be in accordance with Figure 1 and Tables 1 and 2.

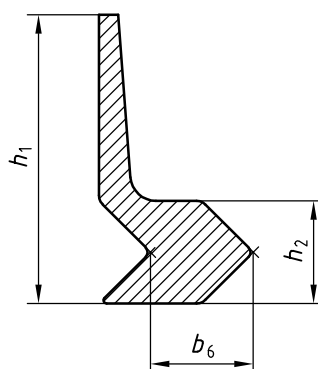


Figure 1 — Section wire Type C

Table 1 — Main dimensions with section wire Type C

Dimensions in millimetres

b_6	h_1	h_2
0 -0,1	$\pm 0,05$	+0,1 -0,2
1,0 1,3 1,6 1,8 2,1	5	2,2
2,5 3,2	6	
4,2	7,5	

Table 2 — Main dimensions with smaller section wire Type CV

Dimensions in millimetres

b_6	h_1	h_2
0 -0,1	$\pm 0,05$	0 -0,2
0,9	4	1,6
1,0 1,3 1,6 1,8 2,1	4,5	
2,5 3,2	5,5	

iTeh STANDARD PREVIEW
(standards.iteh.ai)

<https://standards.iteh.ai/catalog/standards/sist/e8a67d8c-7fcf-4392-b799-9d6285269de7/iso-9903-2-2003>

5 Designation

The designation of a section wire with interchaining, Type C, shall include the following information in the order given:

- a) "Section wire";
- b) reference to this part of ISO 9903 (i.e. ISO 9903-2);
- c) the type of section wire (Type C or CV);
- d) the dimension b_6 , in millimetres;
- e) the dimension h_1 , in millimetres.

EXAMPLE 1 A section wire, Type C, of pitch width of rib $b_6 = 2,5$ mm and total height of wire $h_1 = 6$ mm is designated as follows:

Section wire ISO 9903-2 — C 2,5 × 6

EXAMPLE 2 A section wire, with smaller cross-section, Type CV, of pitch width of rib $b_6 = 1,6$ mm and total height of wire $h_1 = 4,5$ mm is designated as follows:

Section wire ISO 9903-2 — CV 1,6 × 4,5

iTeh STANDARD PREVIEW
(standards.iteh.ai)

[ISO 9903-2:2003](https://standards.iteh.ai/catalog/standards/sist/e8a67d8e-7fcf-4392-b799-9d6285269de7/iso-9903-2-2003)

<https://standards.iteh.ai/catalog/standards/sist/e8a67d8e-7fcf-4392-b799-9d6285269de7/iso-9903-2-2003>

iTeh STANDARD PREVIEW
(standards.iteh.ai)

ISO 9903-2:2003

<https://standards.iteh.ai/catalog/standards/sist/e8a67d8e-7fcf-4392-b799-9d6285269de7/iso-9903-2-2003>

ICS 59.120.10

Price based on 3 pages