

---

---

**Cross recessed raised countersunk head  
drilling screws with tapping screw thread**

*Vis autoperceuses à tête fraisée bombée à empreinte cruciforme,  
avec filetage de vis à tôle*

iTeh Standards  
(<https://standards.iteh.ai>)  
Document Preview

[ISO 15483:1999](#)

<https://standards.iteh.ai/catalog/standards/iso/35f7813b-2f06-4022-9a07-60273752c945/iso-15483-1999>



## Foreword

ISO (the International Organization for Standardization) is a worldwide federation of national standards bodies (ISO member bodies). The work of preparing International Standards is normally carried out through ISO technical committees. Each member body interested in a subject for which a technical committee has been established has the right to be represented on that committee. International organizations, governmental and non-governmental, in liaison with ISO, also take part in the work. ISO collaborates closely with the International Electrotechnical Commission (IEC) on all matters of electrotechnical standardization.

International Standards are drafted in accordance with the rules given in the ISO/IEC Directives, Part 3.

Draft International Standards adopted by the technical committees are circulated to the member bodies for voting. Publication as an International Standard requires approval by at least 75 % of the member bodies casting a vote.

International Standard ISO 15483 was prepared by Technical Committee ISO/TC 2, *Fasteners*.

# iTeh Standards (<https://standards.iteh.ai>) Document Preview

[ISO 15483:1999](#)

<https://standards.iteh.ai/catalog/standards/iso/35f7813b-2f06-4022-9a07-60273752c945/iso-15483-1999>

© ISO 1999

All rights reserved. Unless otherwise specified, no part of this publication may be reproduced or utilized in any form or by any means, electronic or mechanical, including photocopying and microfilm, without permission in writing from the publisher.

International Organization for Standardization  
Case postale 56 • CH-1211 Genève 20 • Switzerland  
Internet iso@iso.ch

Printed in Switzerland

# Cross recessed raised countersunk head drilling screws with tapping screw thread

## 1 Scope

This International Standard specifies the characteristics of cross recessed raised countersunk head drilling screws with tapping screw threads from ST2,9 up to and including ST6,3.

## 2 Normative references

The following normative documents contain provisions which, through reference in this text, constitute provisions of this International Standard. For dated references, subsequent amendments to, or revisions of, any of these publications do not apply. However, parties to agreements based on this International Standard are encouraged to investigate the possibility of applying the most recent editions of the normative documents indicated below. For undated references, the latest edition of the normative document referred to applies. Members of ISO and IEC maintain registers of currently valid International Standards.

ISO 1478:1999, *Tapping screws thread*.

ISO 3269:—<sup>1)</sup>, *Fasteners — Acceptance inspection*.

ISO 4042:1999, *Fasteners — Electroplated coatings*.

ISO 4757:1983, *Cross recesses for screws*.

ISO 4759-1:—<sup>2)</sup>, *Tolerances for fasteners — Part 1: Bolts, screws, studs and nuts — Product grades A, B and C*.

ISO 7721:1983, *Countersunk head screws — Head configuration and gauging*.

ISO 10666:1999, *Drilling screws with tapping screw thread — Mechanical and functional properties*.

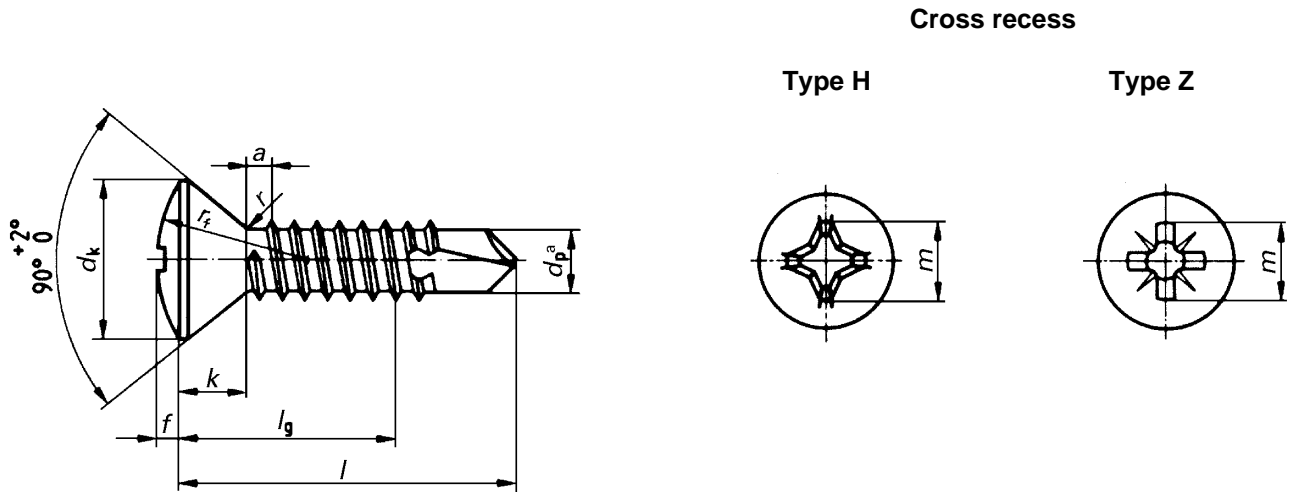
---

<sup>1)</sup> To be published. (Revision of ISO 3269:1988)

<sup>2)</sup> To be published. (Revision of ISO 4759-1:1978)

### 3 Dimensions

See Figure 1 and Table 1.



<sup>a</sup> The function of the drilling point (diameter  $d_p$ ) is specified in ISO 10666.

iteh Standards  
 (https://standards.iteh.ai)  
**Figure 1**  
 Document Preview

ISO 15483:1999

<https://standards.iteh.ai/catalog/standards/iso/35f7813b-2f06-4022-9a07-60273752c945/iso-15483-1999>