



SLOVENSKI STANDARD SIST EN 4639-004:2009

01-maj-2009

5 YfcbUj h_U!`?cbY_lcf]žcdh] b]ždfUj c_cfb]ža cXi `Ufb]žj Y _cbhU_hb]ždfYa Yf
Ud]WY`%&) žg`gbYa `]j c`Wbhf]fbc`di ýc`!`\$\$("XY.`Cdh] b]`a cXi `fjYbg]k!
GHUbXUfX`nUdfc]nj cX

Aerospace series - Connectors, optical, rectangular, modular, multicontact, 1,25 diameter ferrule, with removable alignment sleeve holder - Part 004: Female optical module - Product standard

STANDARD PREVIEW

Luft- und Raumfahrt - Optischer Rechtecksteckverbinder, modular, Mehrfachkontakt, Ferrulendurchmesser 1,25 mm, (demontierbarer Zentriersulsenhalter - Teil 004: Optische Buchsenmodule - Produktnorm

[SIST EN 4639-004:2009](https://standards.iteh.ai/catalog/standards/sist/a77ca211-83ce-46c8-b2f2-999999999999/sist-en-4639-004-2009)

<https://standards.iteh.ai/catalog/standards/sist/a77ca211-83ce-46c8-b2f2-999999999999/sist-en-4639-004-2009>

Série aérospatiale - Connecteurs optiques rectangulaires, modulaires multicontacts, fêrulle 1,25, équipé d'un porte sleeve démontable - Partie 004: Module optique femelle - Norme de produit

Ta slovenski standard je istoveten z: EN 4639-004:2007

ICS:

49.060 Š^c^ \ aš Ā^• [|b \ æ Aerospace electric
^|\ dā} aš] !^ { aš Ā ā c { ā equipment and systems

SIST EN 4639-004:2009

en,de

iTeh STANDARD PREVIEW
(standards.iteh.ai)

[SIST EN 4639-004:2009](#)

<https://standards.iteh.ai/catalog/standards/sist/a77ca211-83ce-46c8-bf2f-5a0cae5137b7/sist-en-4639-004-2009>

EUROPEAN STANDARD
NORME EUROPÉENNE
EUROPÄISCHE NORM

EN 4639-004

November 2007

ICS 49.060

English Version

**Aerospace series - Connectors, optical, rectangular, modular,
multicontact, 1,25 diameter ferrule, with removable alignment
sleeve holder - Part 004: Female optical module - Product
standard**

Série aérospatiale - Connecteurs optiques rectangulaires,
modulaires multivoies, ferrule 1,25, équipé d'un porte sleeve
démontable - Partie 004: Module optique femelle - Norme
de produit

Luft- und Raumfahrt - Optischer Rechtecksteckverbinder,
modular, Mehrfachkontakt, Ferrulendurchmesser 1,25 mm,
demontierbarer Zentrierhülsenhafter - Teil 004: Optische
Buchsenmodule - Produktnorm

This European Standard was approved by CEN on 21 June 2007.

CEN members are bound to comply with the CEN/CENELEC Internal Regulations which stipulate the conditions for giving this European Standard the status of a national standard without any alteration. Up-to-date lists and bibliographical references concerning such national standards may be obtained on application to the CEN Management Centre or to any CEN member.

This European Standard exists in three official versions (English, French, German). A version in any other language made by translation under the responsibility of a CEN member into its own language and notified to the CEN Management Centre has the same status as the official versions.

[SIST EN 4639-004:2009](https://standards.iteh.ai/catalog/standards/sist/a77ca211-83ce-46c8-b2f8-00055317121c/en-4639-004:2007)

CEN members are the national standards bodies of Austria, Belgium, Bulgaria, Cyprus, Czech Republic, Denmark, Estonia, Finland, France, Germany, Greece, Hungary, Iceland, Ireland, Italy, Latvia, Lithuania, Luxembourg, Malta, Netherlands, Norway, Poland, Portugal, Romania, Slovakia, Slovenia, Spain, Sweden, Switzerland and United Kingdom.



EUROPEAN COMMITTEE FOR STANDARDIZATION
COMITÉ EUROPÉEN DE NORMALISATION
EUROPÄISCHES KOMITEE FÜR NORMUNG

Management Centre: rue de Stassart, 36 B-1050 Brussels

Contents

Page

Foreword.....	3
1 Scope	4
2 Normative references	4
3 Terms and definitions	4
4 Required characteristics	4
4.1 General.....	4
4.2 Dimensions.....	4
4.3 Material and surface treatment.....	7
4.4 Optical, mechanical and climatic characteristics.....	7
5 Designation	7
6 Marking	7
7 Technical specification	7

iTeh STANDARD PREVIEW
(standards.iteh.ai)

[SIST EN 4639-004:2009](https://standards.iteh.ai/catalog/standards/sist/a77ca211-83ce-46c8-bf2f-5a0cae5137b7/sist-en-4639-004-2009)

<https://standards.iteh.ai/catalog/standards/sist/a77ca211-83ce-46c8-bf2f-5a0cae5137b7/sist-en-4639-004-2009>

Foreword

This document (EN 4639-004:2007) has been prepared by the Aerospace and Defence Industries Association of Europe - Standardization (ASD-STAN).

After enquiries and votes carried out in accordance with the rules of this Association, this Standard has received the approval of the National Associations and the Official Services of the member countries of ASD, prior to its presentation to CEN.

This European Standard shall be given the status of a national standard, either by publication of an identical text or by endorsement, at the latest by May 2008, and conflicting national standards shall be withdrawn at the latest by May 2008.

Attention is drawn to the possibility that some of the elements of this document may be the subject of patent rights. CEN [and/or CENELEC] shall not be held responsible for identifying any or all such patent rights.

According to the CEN/CENELEC Internal Regulations, the national standards organizations of the following countries are bound to implement this European Standard: Austria, Belgium, Bulgaria, Cyprus, Czech Republic, Denmark, Estonia, Finland, France, Germany, Greece, Hungary, Iceland, Ireland, Italy, Latvia, Lithuania, Luxembourg, Malta, Netherlands, Norway, Poland, Portugal, Romania, Slovakia, Slovenia, Spain, Sweden, Switzerland and the United Kingdom.

ITEH STANDARD PREVIEW
(standards.iteh.ai)

SIST EN 4639-004:2009

<https://standards.iteh.ai/catalog/standards/sist/a77ca211-83ce-46c8-bf2f-5a0cae5137b7/sist-en-4639-004-2009>

EN 4639-004:2007 (E)**1 Scope**

This standard specifies the characteristics of a female optical module for rectangular modular multipin connectors.

2 Normative references

The following referenced documents are indispensable for the application of this document. For dated references, only the edition cited applies. For undated references, the latest edition of the referenced document (including any amendments) applies.

EN 2424, *Aerospace series — Marking of aerospace products.*

EN 4639-001, *Aerospace series — Connectors, optical, rectangular, modular, multicontact, 1,25 diameter ferrule, with removable alignment sleeve holder — Part 001: Technical specification.*¹⁾

EN 4639-002, *Aerospace series — Connectors, optical, rectangular, modular, multicontact, 1,25 diameter ferrule, with removable alignment sleeve holder — Part 002: List of product standards.*¹⁾

EN 4639-005, *Aerospace series — Connectors, optical, rectangular, modular, multicontact, 1,25 diameter ferrule, with removable alignment sleeve holder — Part 005: Removable alignment sleeve holder — Product standard.*

EN 4644-001, *Aerospace series — Connector, electrical, rectangular, modular, rectangular inserts — Operating temperature 175 °C continuous — Part 001: Technical specification.*²⁾

3 Terms and definitions

[SIST EN 4639-004:2009
https://standards.iteh.ai/catalog/standards/sist/a77ca211-83ce-46c8-bf2f-5e0c2e5137b7/sist-en-4639-004-2009](https://standards.iteh.ai/catalog/standards/sist/a77ca211-83ce-46c8-bf2f-5e0c2e5137b7/sist-en-4639-004-2009)

For the purposes of this document, the terms and definitions given in EN 4639-001 apply.

4 Required characteristics**4.1 General**

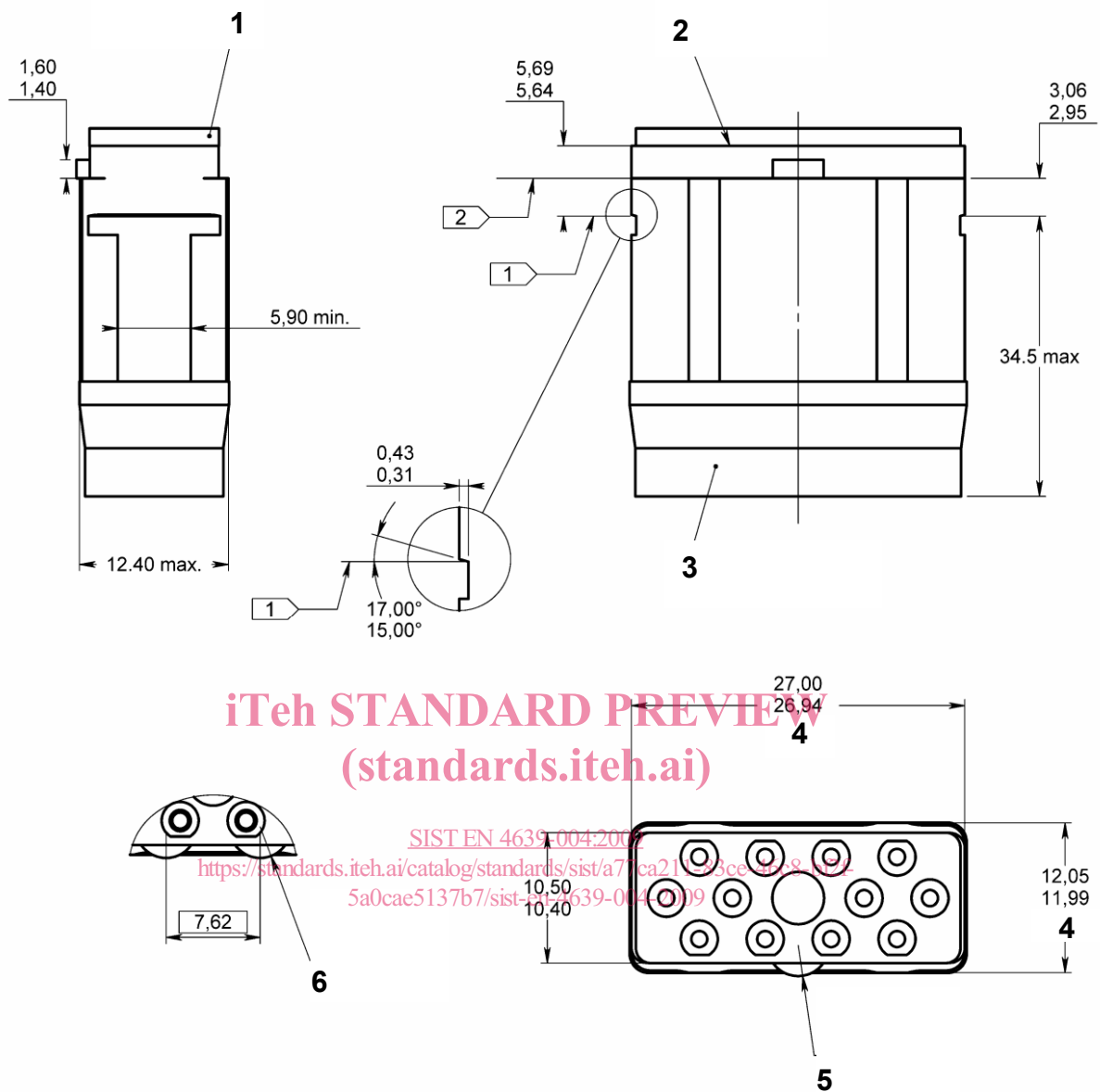
The female insert is characterised by the aptitude to receive a removable sleeve holder as specified in EN 4639-005.

4.2 Dimensions**4.2.1 Rectangular connector interface module: Outer dimensions**

See Figure 1, dimensions in millimetres.

1) Published as ASD Prestandard at the date of publication of this standard.

2) In preparation at the date of publication of this standard.



Key

- 1** Module rear limit stop (on the module retention clip)
- 2** Module front limit stop (on the shell)
- 1 Interfacial seal
- 2 Module front face
- 3 Rear grommet
- 4 On ribs
- 5 $R_{2,60}^{2,40}$ "A" keying
- 6 $2 \times R_{2,60}^{2,40}$ "B" keying

Figure 1

4.2.2 Rectangular connector interface module: Optical contact position

See Figure 2, dimensions in millimetres.

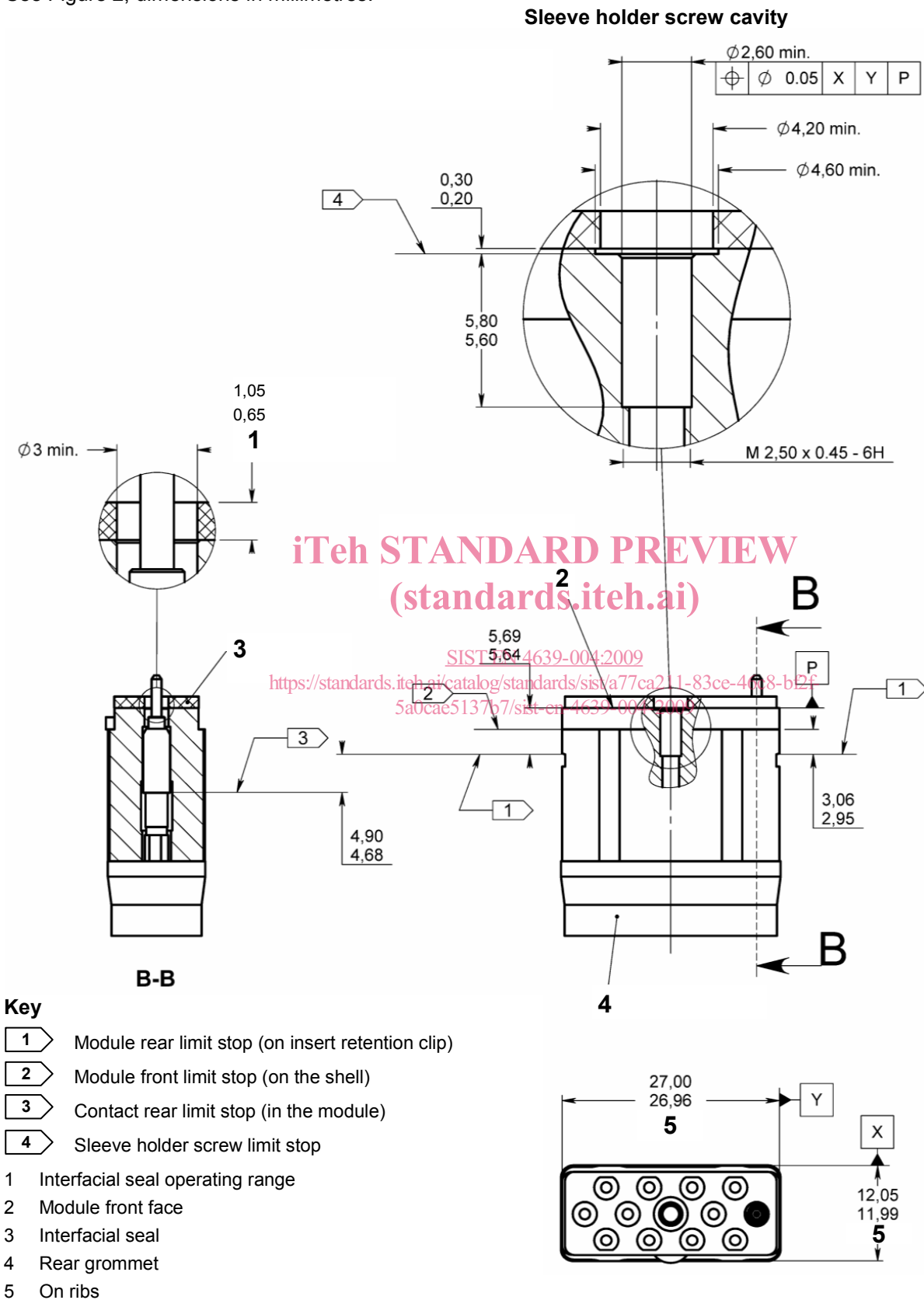


Figure 2