



SLOVENSKI STANDARD
SIST EN ISO 15502:2006/AC:2008
01-marec-2008

; cgdcX]b'g_]\'UX]b]]b'nUa fncj Ub]UdUfUf!'NbU]bcgh]]b'dfYg_i gbY'a YfcXY
fIGC`%) \$&\$\$) #7 cf`%&\$\$+L

Household refrigerating appliances - Characteristics and test methods (ISO 15502:2005/Cor 1:2007)

Haushalt-Kühl-/Gefriergeräte - Eigenschaften und Prüfverfahren (ISO 15502:2005/Cor 1:2007)

iTeh STANDARD PREVIEW

Appareils de réfrigération à usage ménager - Caractéristiques et méthodes d'essai (ISO 15502:2005/Cor 1:2007)

[SIST EN ISO 15502:2006/AC:2008](https://standards.iteh.ai/catalog/standards/sist/e7b7813f-1f5d-475d-bc54-21c15fca7/sist-en-iso-15502-2006-ac-2008)

Ta slovenski standard je istoveten z: **EN ISO 15502:2005/AC:2007**

ICS:

97.040.30

SIST EN ISO 15502:2006/AC:2008 en

iTeh STANDARD PREVIEW
(standards.iteh.ai)

SIST EN ISO 15502:2006/AC:2008

<https://standards.iteh.ai/catalog/standards/sist/e7b7813f-1f5d-475d-bc54-2fe15f4ea7d/sist-en-iso-15502-2006-ac-2008>

EUROPEAN STANDARD

NORME EUROPÉENNE

EUROPÄISCHE NORM

EN ISO 15502:2005/AC

December 2007

Décembre 2007

Dezember 2007

ICS 97.040.30

English version
Version Française
Deutsche Fassung

Household refrigerating appliances - Characteristics and test methods (ISO 15502:2005/Cor 1:2007)

Appareils de réfrigération à usage ménager
- Caractéristiques et méthodes d'essai (ISO 15502:2005/Cor 1:2007)

Haushalt-Kühl-/Gefriergeräte -
Eigenschaften und Prüfverfahren (ISO 15502:2005/Cor 1:2007)

This corrigendum becomes effective on 5 December 2007 for incorporation in the official German and English versions of the EN.

Ce corrigendum prendra effet le 5 décembre 2007 pour incorporation dans les versions officielles allemande et anglaise de la EN.

Die Berichtigung tritt am 5. Dezember 2007 zur Einarbeitung in die offizielle Deutsche und Englische Fassung der EN in Kraft.

IT IS STANDARD PREVIEW
(standards.iteh.ai)
[SIST EN ISO 15502:2006/AC:2008](https://standards.iteh.ai/catalog/standards/sist/e7b7813f-1f5d-475d-bc54-2fe15f4ea7d/sist-en-iso-15502-2006-ac-2008)
<https://standards.iteh.ai/catalog/standards/sist/e7b7813f-1f5d-475d-bc54-2fe15f4ea7d/sist-en-iso-15502-2006-ac-2008>



EUROPEAN COMMITTEE FOR STANDARDIZATION
COMITÉ EUROPÉEN DE NORMALISATION
EUROPÄISCHES KOMITEE FÜR NORMUNG

Management Centre: rue de Stassart, 36 B-1050 Brussels

© 2007 CEN All rights of exploitation in any form and by any means reserved worldwide for CEN national Members.
Tous droits d'exploitation sous quelque forme et de quelque manière que ce soit réservés dans le monde entier aux membres nationaux du CEN.
Alle Rechte der Verwertung, gleich in welcher Form und in welchem Verfahren, sind weltweit den nationalen Mitgliedern von CEN vorbehalten.

Ref. No.: EN ISO 15502:2005/AC:2007 D/E

English version

Endorsement Notice

The text of ISO 15502:2005/Cor.1:2007 has been approved by CEN as a European Corrigendum without any modifications.

Deutsche Fassung

iTeh STANDARD PREVIEW
(standards.iteh.ai)

[SIST EN ISO 15502:2006/AC:2008](https://standards.iteh.ai/catalog/standards/sist/e7b7813f-1f5d-475d-bc54-2fe15f4ea7d/sist-en-iso-15502-2006-ac-2008)
<https://standards.iteh.ai/catalog/standards/sist/e7b7813f-1f5d-475d-bc54-2fe15f4ea7d/sist-en-iso-15502-2006-ac-2008>



INTERNATIONAL STANDARD ISO 15502:2005 TECHNICAL CORRIGENDUM 1

Published 2007-02-15

INTERNATIONAL ORGANIZATION FOR STANDARDIZATION • МЕЖДУНАРОДНАЯ ОРГАНИЗАЦИЯ ПО СТАНДАРТИЗАЦИИ • ORGANISATION INTERNATIONALE DE NORMALISATION

Household refrigerating appliances — Characteristics and test methods

TECHNICAL CORRIGENDUM 1

Technical Corrigendum 1 to ISO 15502:2005 was prepared by Technical Committee ISO/TC 86, *Refrigeration and air-conditioning*, Subcommittee SC 5, *Testing and rating of household refrigeration appliances*.

iTeh STANDARD PREVIEW (standards.iteh.ai)

[SIST EN ISO 15502:2006/AC:2008](https://standards.iteh.ai/catalog/standards/sist/e7b7813f-1f5d-475d-bc54-2fle15f4ea7d/sist-en-iso-15502-2006-ac-2008)

<https://standards.iteh.ai/catalog/standards/sist/e7b7813f-1f5d-475d-bc54-2fle15f4ea7d/sist-en-iso-15502-2006-ac-2008>

Page 1, Normative references

Date and correct the reference to IEC 60335-2-24 by replacing it with the following:

IEC 60335-2-24:2006, *Household and similar electrical appliances — Safety — Part 2-24: Particular requirements for refrigerating appliances, ice-cream appliances and ice-makers*

Delete the footnote.

Page 56, Note to Figure 15

Replace the Note with the following, thereby deleting an incorrect cross-reference to Figure 13:

NOTE The arrangements for cellar compartments also apply to appliances that consist only of a cellar compartment. For different evaporator arrangements in the fresh-food compartment, see also Figure 14.

Page 59, Figure 17

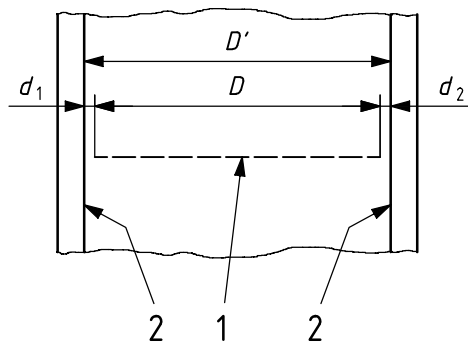
Add “Dimensions in millimetres” to the top right-hand corner of the figure.

Pages 65 and 66, Figures 18 and 19

Replace Figures 18 and 19 with the following, whose legends have been corrected and to which captions have been added.

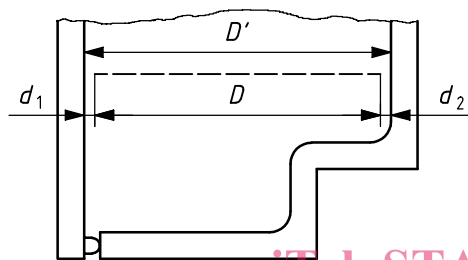
ICS 97.040.30

Ref. No. ISO 15502:2005/Cor.1:2007(E)



If $d_1 + d_2 \leq 20$ mm:
 dimension of shelf = D'
 If $d_1 + d_2 > 20$ mm:
 dimension of shelf = D

a) Determination of width of shelf



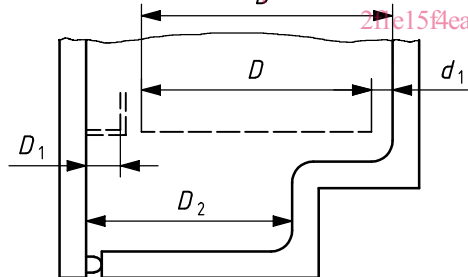
If $d_1 + d_2 \leq 20$ mm:
 dimension of shelf = D'
 If $d_1 + d_2 > 20$ mm:
 dimension of shelf = D

b) Determination of depth of shelf

STANDARD PREVIEW
 (standards.iteh.ai)

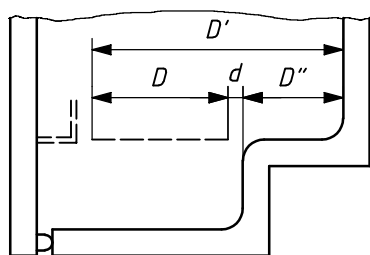
SIST EN ISO 15502:2006/AC:2008

<https://standards.iteh.ai/catalog/standards/sist/2006-13f-1f5d-475d-bc54-21e154ea7d/sist-en-iso-15502-2006-ac-2008>



If $d_1 \leq 20$ mm:
 dimension of shelf = D'
 If $d_1 > 20$ mm:
 dimension of shelf = D
 D_1 dimension of door shelf
 D_2 dimension of bottom of refrigerating appliance

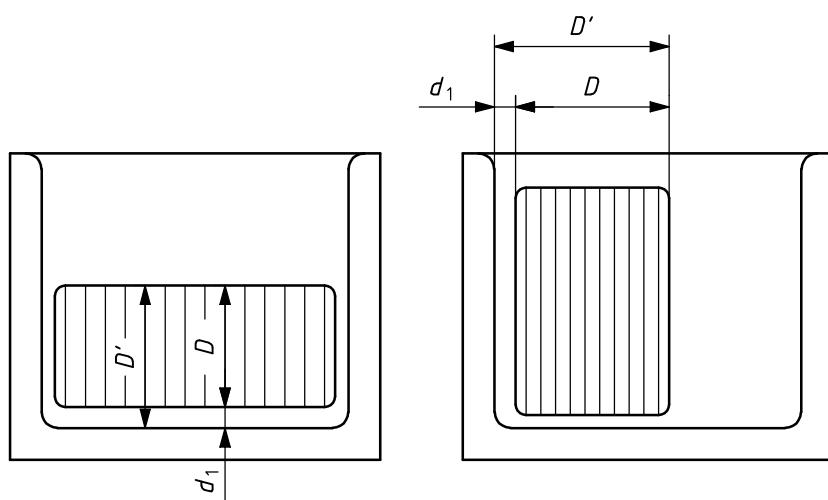
c) Determination of depth of shelf of upright-type refrigerating appliance



If $d \leq 20$ mm:
 dimension of shelf = D'
 If $d > 20$ mm:
 two shelves of dimensions D and D''

d) Determination of depth of shelf with juxtaposed parts

Figure 18 — Examples of determination of dimensions for calculating shelf area (see 7.3)



If $d_1 \leq 20$ mm:
 dimension of shelf = D'
 If $d_1 > 20$ mm:
 dimension of shelf = D

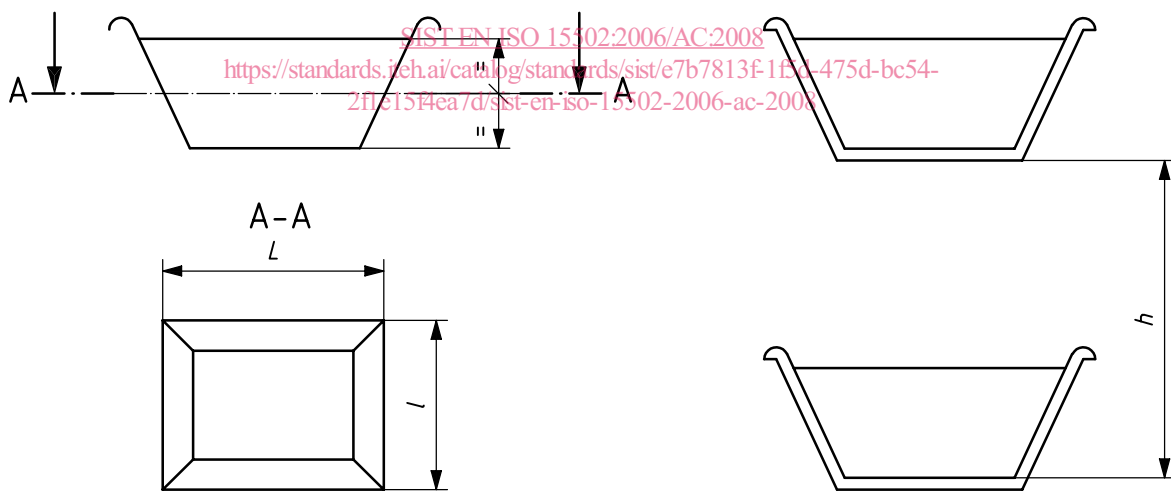
e) Determination of width and depth of fractional shelves

Key

- 1 shelf
- 2 inner wall

Figure 18 — Examples of determination of dimensions for calculating shelf area (see 7.3) (continued)

iTeH STANDARD PREVIEW
 (standards.iteh.ai)



a) Area of basket

b) Vertical clearance above basket

$h \geq 80$ mm

$h \geq 52$ mm for any frozen-food storage compartment

Figure 19 — Examples of determination of mean dimensions for calculating basket area (see 7.3.2.6, 7.3.2.7.2 and 7.3.2.7.3)

Page 74, Annex B, B.1

In the definition of *D* given after the formula, correct the cross-reference to the subclause from 3.6.21 to 3.6.20.

Page 81, Bibliography

Change the date of Reference [3] from 1989 to 2004.

Correct the title of Reference [4] to *Household and similar electrical appliances — Safety — Part 1: General requirements*.

iTeh STANDARD PREVIEW
(standards.iteh.ai)

SIST EN ISO 15502:2006/AC:2008

<https://standards.iteh.ai/catalog/standards/sist/e7b7813f-1f5d-475d-bc54-2fe15f4ea7d/sist-en-iso-15502-2006-ac-2008>