
Tools for pressing — L-shaped guides

Outillage de presse — Glissières de guidage en L

iTeh STANDARD PREVIEW
(standards.iteh.ai)

[ISO 16366:2001](https://standards.iteh.ai/catalog/standards/sist/9b1ce806-cdfe-4147-a66b-8e9bc6f192d5/iso-16366-2001)

<https://standards.iteh.ai/catalog/standards/sist/9b1ce806-cdfe-4147-a66b-8e9bc6f192d5/iso-16366-2001>



PDF disclaimer

This PDF file may contain embedded typefaces. In accordance with Adobe's licensing policy, this file may be printed or viewed but shall not be edited unless the typefaces which are embedded are licensed to and installed on the computer performing the editing. In downloading this file, parties accept therein the responsibility of not infringing Adobe's licensing policy. The ISO Central Secretariat accepts no liability in this area.

Adobe is a trademark of Adobe Systems Incorporated.

Details of the software products used to create this PDF file can be found in the General Info relative to the file; the PDF-creation parameters were optimized for printing. Every care has been taken to ensure that the file is suitable for use by ISO member bodies. In the unlikely event that a problem relating to it is found, please inform the Central Secretariat at the address given below.

iTeh STANDARD PREVIEW
(standards.iteh.ai)

ISO 16366:2001

<https://standards.iteh.ai/catalog/standards/sist/9b1ce806-cdfe-4147-a66b-8e9bc6f192d5/iso-16366-2001>

© ISO 2001

All rights reserved. Unless otherwise specified, no part of this publication may be reproduced or utilized in any form or by any means, electronic or mechanical, including photocopying and microfilm, without permission in writing from either ISO at the address below or ISO's member body in the country of the requester.

ISO copyright office
Case postale 56 • CH-1211 Geneva 20
Tel. + 41 22 749 01 11
Fax + 41 22 749 09 47
E-mail copyright@iso.ch
Web www.iso.ch

Printed in Switzerland

Foreword

ISO (the International Organization for Standardization) is a worldwide federation of national standards bodies (ISO member bodies). The work of preparing International Standards is normally carried out through ISO technical committees. Each member body interested in a subject for which a technical committee has been established has the right to be represented on that committee. International organizations, governmental and non-governmental, in liaison with ISO, also take part in the work. ISO collaborates closely with the International Electrotechnical Commission (IEC) on all matters of electrotechnical standardization.

International Standards are drafted in accordance with the rules given in the ISO/IEC Directives, Part 3.

Draft International Standards adopted by the technical committees are circulated to the member bodies for voting. Publication as an International Standard requires approval by at least 75 % of the member bodies casting a vote.

Attention is drawn to the possibility that some of the elements of this International Standard may be the subject of patent rights. ISO shall not be held responsible for identifying any or all such patent rights.

International Standard ISO 16366 was prepared by Technical Committee ISO/TC 29, *Small tools*, Subcommittee SC 8, *Tools for pressing and moulding*.

iTeh STANDARD PREVIEW (standards.iteh.ai)

[ISO 16366:2001](https://standards.iteh.ai/catalog/standards/sist/9b1ce806-cdfe-4147-a66b-8e9bc6f192d5/iso-16366-2001)

<https://standards.iteh.ai/catalog/standards/sist/9b1ce806-cdfe-4147-a66b-8e9bc6f192d5/iso-16366-2001>

iTeh STANDARD PREVIEW
(standards.iteh.ai)

ISO 16366:2001

<https://standards.iteh.ai/catalog/standards/sist/9b1ce806-cdfe-4147-a66b-8e9bc6f192d5/iso-16366-2001>

Tools for pressing — L-shaped guides

1 Scope

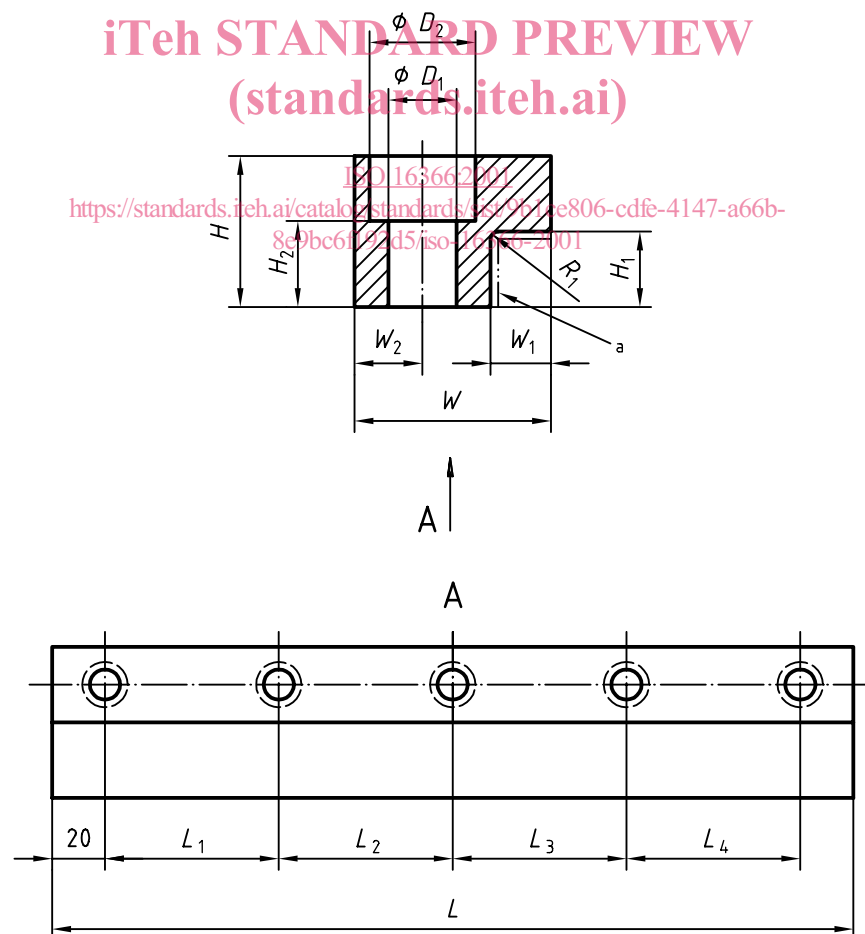
This International Standard specifies the main dimensions and tolerances of L-shaped guides, to be used in press tools.

It also specifies the designation of L-shaped guides.

2 Dimensions

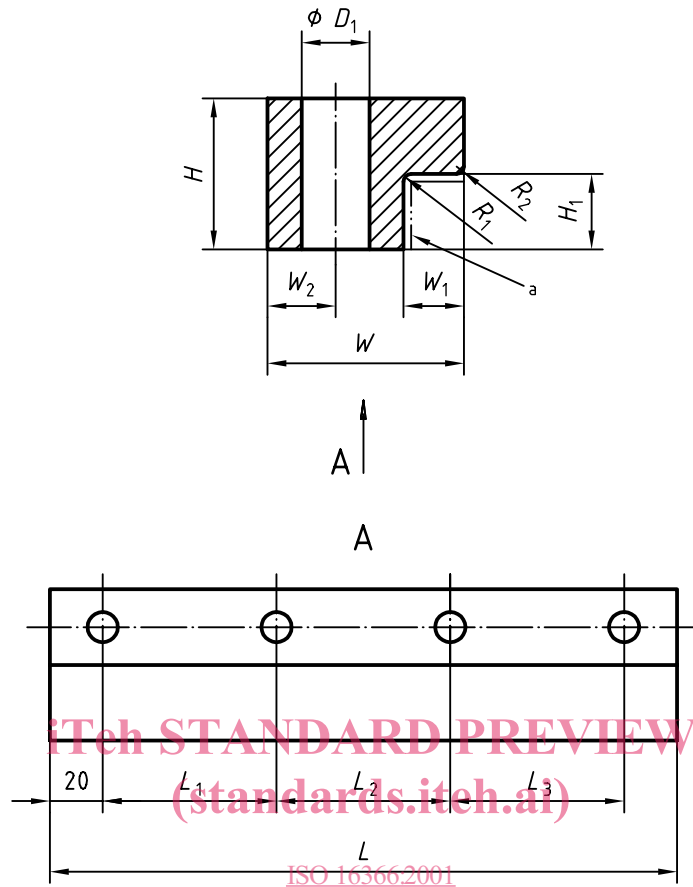
See Figure 1 and Table 1.

Dimensions in millimetres



^a The sliding surface which shall have a surface roughness of 0,8 μm .

Figure 1 — L-shaped guides — Type A



a The sliding surface which shall have a surface roughness of 0,8 μm

Figure 2 — L-shaped guides — Type B

Table 1 — L-shaped guides

Dimensions in millimetres

L	H	L ₁	L ₂	L ₃	L ₄	H ₁ +0,10 +0,05	H ₂	W	W ₁ ± 0,1	W ₂	R ₁	R ₂	D ₁	D ₂	Number of screws	Screw	Type
100	20	60	—	—	—	10	11,4	26	8	9	1	—	9	14	2	M8	A
100	30	60	—	—	—	15	—	32	10	11	2	2	11	—	2	M10	B
150	20	55	55	—	—	10	11,4	26	8	9	1	—	9	14	3	M8	A
150	30	55	55	—	—	15	—	32	10	11	2	2	11	—	3	M10	B
200	20	55	50	55	—	10	11,4	26	8	9	1	—	9	14	4	M8	A
200	30	55	50	55	—	15	—	32	10	11	2	2	11	—	4	M10	B
200	45	55	50	55	—	25	20	50	22	14	2	—	11	17,5	4	M10	A
250	30	70	70	70	—	15	—	32	10	11	2	2	11	—	4	M10	B
250	45	70	70	70	—	25	20	50	22	14	2	—	11	17,5	4	M10	A
300	45	65	65	65	65	25	20	50	22	14	2	—	11	17,5	5	M10	A

3 Material and hardness

The material is left to the manufacturer's discretion.

4 Designation

L-shaped guides in accordance with this International Standard shall be designated by:

- a) "L-shaped guide";
- b) reference to this International Standard, i.e. ISO 16366;
- c) the length, L , in millimetres;
- d) the height, H , in millimetres
- e) if applicable, fitted with non-liquid lubricant (NL).

EXAMPLE An L-shaped guide of length $L = 100$ mm and of height $H = 20$ mm, fitted with non-liquid lubricant, is designated as follows:

L-shaped guide ISO 16366 - 100 - 20 - NL

iTeh STANDARD PREVIEW
(standards.iteh.ai)

ISO 16366:2001

<https://standards.iteh.ai/catalog/standards/sist/9b1ce806-cdfe-4147-a66b-8e9bc6f192d5/iso-16366-2001>

iTeh STANDARD PREVIEW
(standards.iteh.ai)

ISO 16366:2001

<https://standards.iteh.ai/catalog/standards/sist/9b1ce806-cdfe-4147-a66b-8e9bc6f192d5/iso-16366-2001>

ICS 25.120.10

Price based on 3 pages