



SLOVENSKI STANDARD
SIST EN 325:1996

01-marec-1996

Lesne plošče - Ugotavljanje mer preskušancev

Wood-based panels - Determination of dimensions of test pieces

Holzwerkstoffe - Bestimmung der Maße der Prüfkörper

Panneaux a base de bois - Détermination des dimensions des éprouvettes

Ta slovenski standard je istoveten z: EN 325:1993

[SIST EN 325:1996](https://standards.iteh.ai/catalog/standards/sist/12897aed-5e29-4cd1-beab-833f091a4693/sist-en-325-1996)

<https://standards.iteh.ai/catalog/standards/sist/12897aed-5e29-4cd1-beab-833f091a4693/sist-en-325-1996>

ICS:

79.060.01	Lesne plošče na splošno	Wood-based panels in general
-----------	-------------------------	------------------------------

SIST EN 325:1996

en

iTeh STANDARD PREVIEW
(standards.iteh.ai)

SIST EN 325:1996

<https://standards.iteh.ai/catalog/standards/sist/12897aed-5e29-4cd1-beab-833f091a4693/sist-en-325-1996>

UDC 674.815:620.1

Descriptors: Wood-based panel, fibreboard, particleboard, plywood, OSB, cement-bonded particleboard, test method, dimensions of test pieces, test piece, thickness, length, width

English version

Wood-based panels - Determination of dimensions of test pieces

Panneaux à base de bois - Détermination des dimensions des éprouvettes

Holzwerkstoffe - Bestimmung der Maße der Prüfkörper

This European Standard was approved by CEN on 1992-12-15. CEN members are bound to comply with the CEN/CENELEC Internal Regulations which stipulate the conditions for giving this European Standard the status of a national standard without any alteration.

Up-to-date lists and bibliographical references concerning such national standards may be obtained on application to the Central Secretariat or to any CEN member.

The European Standards exist in three official versions (English, French, German). A version in any other language made by translation under the responsibility of a CEN member into its own language and notified to the Central Secretariat has the same status as the official versions.

CEN members are the national standards bodies of Austria, Belgium, Denmark, Finland, France, Germany, Greece, Iceland, Ireland, Italy, Luxembourg, Netherlands, Norway, Portugal, Spain, Sweden, Switzerland and United Kingdom.

<https://standards.iteh.ai/catalog/standards/sist/12897aed-5e29-4cd1-beab-833f091a4693/standards/en-325-1993>

CEN

European Committee for Standardization
Comité Européen de Normalisation
Europäisches Komitee für Normung

Central Secretariat: rue de Stassart, 36 B-1050 Brussels

Contents list

	Page
1 Scope	4
2 Normative references	4
3 Principle	4
4 Apparatus	4
5 Test pieces	4
6 Procedure	5
7 Test report	5
Annex A (informative) Bibliography	6

iTeh STANDARD PREVIEW
(standards.iteh.ai)

[SIST EN 325:1996](https://standards.iteh.ai/catalog/standards/sist/12897aed-5e29-4cd1-beab-833f091a4693/sist-en-325-1996)

<https://standards.iteh.ai/catalog/standards/sist/12897aed-5e29-4cd1-beab-833f091a4693/sist-en-325-1996>

Foreword

This European Standard was prepared by Working Group 4 "Common test methods" (Secretariat: United Kingdom) of Technical Committee CEN/TC 112, Wood-based panels (Secretariat: Germany).

The text is based on ISO 9424:1989 which has been elaborated with European participation.

This standard is one of a series of standards specifying methods of test for determining dimensions and properties of wood-based panels.

No existing European Standard is superseded.

This European Standard shall be given the status of a national standard, either by publication of an identical text or by endorsement, at the latest by August 1993, and conflicting national standards shall be withdrawn at the latest by December 1994.

In accordance with the CEN/CENELEC Internal Regulations, the following countries are bound to implement this European Standard: Austria, Belgium, Denmark, Finland, France, Germany, Greece, Iceland, Ireland, Italy, Luxembourg, Netherlands, Norway, Portugal, Spain, Sweden, Switzerland, United Kingdom.

iTeh STANDARD PREVIEW
(standards.iteh.ai)

SIST EN 325:1996

<https://standards.iteh.ai/catalog/standards/sist/12897aed-5e29-4cd1-beab-833f091a4693/sist-en-325-1996>

1 Scope

This European Standard specifies a method for measuring the thickness, length and width of test pieces of wood-based panels.

2 Normative references

This European Standard incorporates by dated or undated reference, provisions from other publications. These normative references are cited at the appropriate places in the text and the publications are listed hereafter. For dated references, subsequent amendments to or revisions of any of these publications apply to this European Standard, only when incorporated in it by amendment or revision. For undated references the latest edition of the publication referred to applies.

EN 326-1 Wood-based panels - Sampling, cutting and inspection
Part 1: Sampling and cutting of test pieces and expression of test results ¹⁾

3 Principle

The length and width of test piece are determined by linear measurement.

4 Apparatus

4.1 Instrument for thickness measurement

Micrometer, or similar measuring instrument, having flat and parallel circular measuring surfaces of (16 ± 1) mm diameter and an operation force of (4 ± 1) N. The graduation of the apparatus shall allow reading to 0,01 mm.

4.2 Instrument for length and width measurement

Sliding caliper, or any other instrument with measuring surfaces of at least 5 mm width, graduated to allow a reading to 0,1 mm.

5 Test pieces

5.1 Sampling and cutting

Carry out the sampling and cutting in accordance with EN 326-1.

5.2 Dimensions

The dimensions of the test pieces shall be in accordance with those specified in the relevant test method.

5.3 Conditioning

The test pieces shall be conditioned to constant mass in an atmosphere with a relative humidity of (65 ± 5) % and a temperature of (20 ± 2) °C. Constant mass is considered to be reached when the results of two successive weighing operations, carried out at an interval of 24 h, do not differ by more than 0,1 % of the mass of the test piece.

SIST EN 325:1996
<https://standards.iteh.ai/catalog/standards/sist/12897aed-5e29-4cd1-beab-833f091a4693/sist-en-325-1996>

1) At present at the draft stage

6 Procedure

6.1 Measuring points

The number and positions of the measuring points shall be in accordance with the relevant European Standard for test methods.

6.2 Thickness measurement

Apply the measuring surfaces of the instrument slowly to the test piece. Measure the thickness to 0,01 mm.

6.3 Length and width measurement

For measuring the length and width, apply the jaw of the sliding caliper slowly and without excessive pressure to the test piece, at an angle of approximately 45° to the plane of the test piece (see figure 1).

Measure the length and width to 0,1 mm.

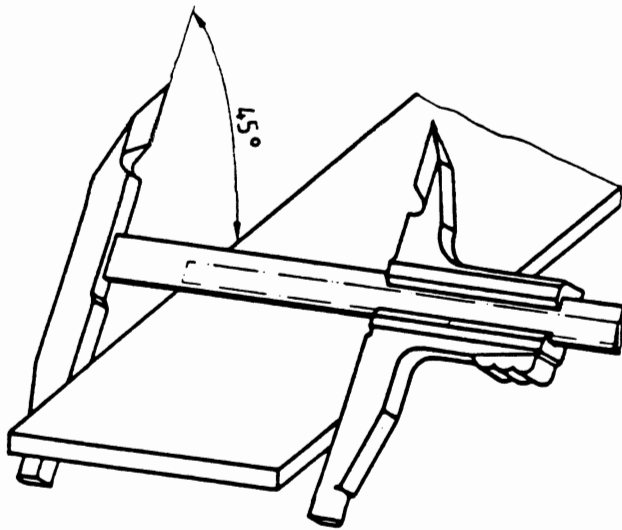


Figure 1: Inclination of sliding caliper to plane of test piece

7 Test report

As described in EN 326-1.

iTeh STANDARD PREVIEW
(standards.iteh.ai)

SIST EN 325:1996

<https://standards.iteh.ai/catalog/standards/sist/12897aed-5e29-4cd1-beab-833f091a4693/sist-en-325-1996>

Annex A (informative)

Bibliography

- EN 309 Particleboards - Definition and classification
- EN 313-1 Plywood - Classification and terminology
Part 1: Classification
- EN 316 Fibreboards - Definitions, classification and symbols
- EN 633 Cement-bonded particleboards - Definition and classification ¹⁾
- ISO 9424:1989 Wood-based panels - Determination of dimensions of test pieces

iTeh STANDARD PREVIEW
(standards.iteh.ai)

SIST EN 325:1996

<https://standards.iteh.ai/catalog/standards/sist/12897aed-5e29-4cd1-beab-833f091a4693/sist-en-325-1996>

1) At present at the draft stage