



Designation: B 223 – 03

Standard Test Method for Modulus of Elasticity of Thermostat Metals (Cantilever Beam Method)¹

This standard is issued under the fixed designation B 223; the number immediately following the designation indicates the year of original adoption or, in the case of revision, the year of last revision. A number in parentheses indicates the year of last reapproval. A superscript epsilon (ϵ) indicates an editorial change since the last revision or reapproval.

1. Scope

1.1 This test method covers the determination of the modulus of elasticity of thermostat metals at any temperature between -300 and $+1000^{\circ}\text{F}$ (-185 and 540°C) by mounting the specimen as a cantilever beam and measuring the deflection when subjected to a mechanical load.

1.2 The values stated in inch-pound units are to be regarded as the standard.

1.3 *This standard does not purport to address all of the safety concerns, if any, associated with its use. It is the responsibility of the user of this standard to become familiar with all hazards including those identified in the appropriate Material Safety Data Sheet for this product/material as provided by the manufacturer, to establish appropriate safety and health practices, and determine the applicability of regulatory limitations prior to use.*

2. Referenced Documents

2.1 *ASTM Standards:*

B 388 Specification for Thermostat Metal Sheet and Strip²

3. Terminology

3.1 *Definitions:*

3.1.1 *thermostat metal*—a composite material, usually in the form of sheet or strip, comprising two or more materials of any appropriate nature, metallic or otherwise, which, by virtue of the differing expansivities of the components, tends to alter its curvature when its temperature is changed.

3.1.2 *modulus of elasticity*—the ratio, within the elastic limit of a material, of stress to corresponding strain. In this test method the modulus of elasticity is calculated from the expression for the deflection of a cantilever beam under mechanical load which is transposed to read as follows:

$$E = 4Pl^3/dbt^3$$

where:

E = modulus of elasticity, psi or MPa,

P = load, lbf or N,

l = gage length, in. or mm,

d = specimen deflection, in. or mm,

b = specimen width, in. or mm, and

t = specimen thickness, in. or mm.

4. Apparatus (Figs. 1-3)

4.1 *Specimen Holder* for securely clamping the test specimen in a horizontal position as a cantilever beam when immersed in a bath at the desired temperature. It shall carry a micrometer depth gage for reading the deflection of the specimen and a loading rod for loading the specimen. Both of these shall extend sufficiently above the liquid level of the bath to permit the operator to perform the test at the higher test temperatures.

4.1.1 Specimen holder to be made sufficiently rigid to allow normal handling without distortion.

4.2 *Loading Rod*, $\frac{1}{8}$ in. (3.2 mm) or less in diameter, for carrying the load and transmitting its weight vertically to the free end of the cantilever specimen. It shall be made of material the same as that of the tube which supports the specimen mounting clamps in order to prevent a difference in expansion rates from affecting the deflection readings. The bottom end shall be conically shaped and shall rest in the conical punch mark at the free end of the specimen. Any supports shall permit free movement with specimen deflection and shall provide electrical insulation from the micrometer depth gage. Near the top shall be a holder for supporting the load. The weight of the loading rod and holder shall be no greater than 1 oz (28 g).

4.3 *Micrometer Depth Gage*, for measuring the deflection of the specimen to the nearest 0.0001 in. (0.002 mm). It shall be mounted directly over the loading rod. The micrometer shaft shall be in the same vertical line as the loading rod, so that readings can be taken of the top of the loading rod for no-load and full-load positions. The gage shall be insulated electrically from the specimen holder and the loading rod.

¹ This test method is under the jurisdiction of ASTM Committee B02 on Nonferrous Metals and Alloys and is the direct responsibility of Subcommittee B02.10 on Thermostat Metals and Electrical Resistance Heating Materials.

Current edition approved June 10, 2003. Published August 2003. Originally approved in 1948. Last previous edition approved in 1997 as B 223 - 97.

² *Annual Book of ASTM Standards*, Vol. 02.04.

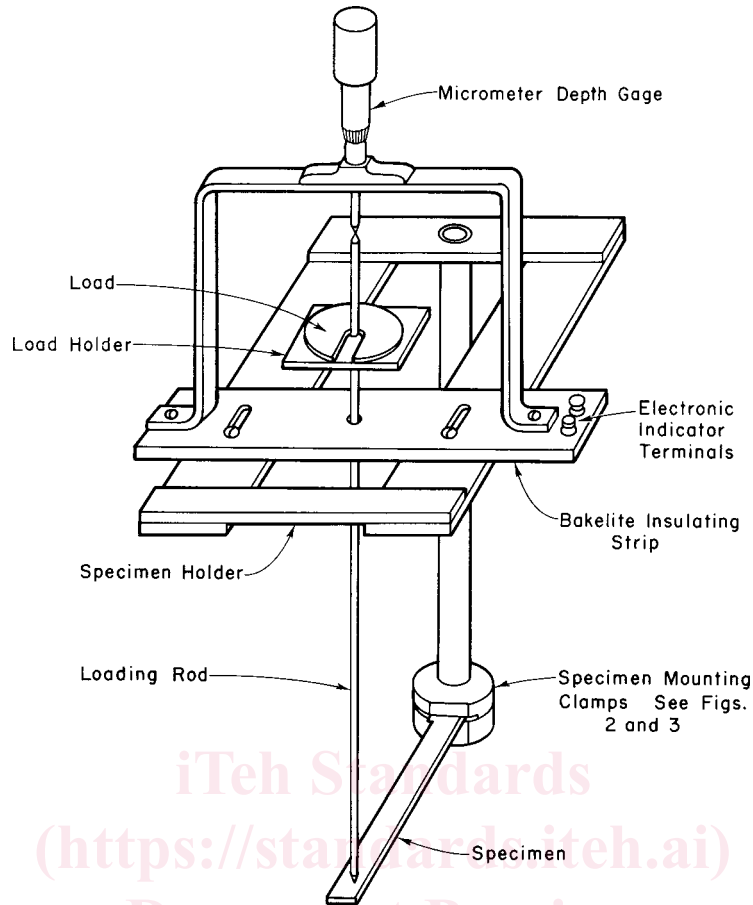


FIG. 1 Testing Machine for Determining Modulus of Elasticity of Thermostat Metal

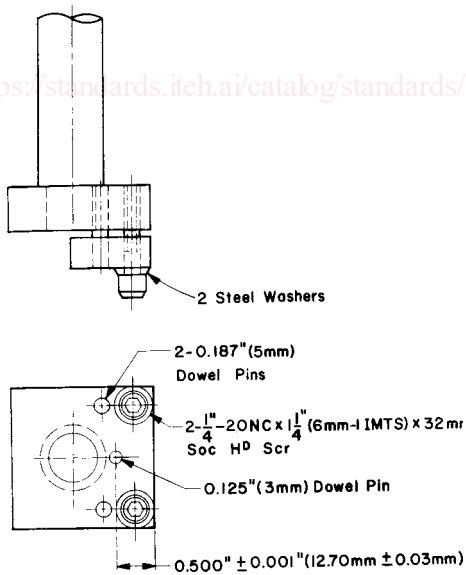


FIG. 2 Specimen Mounting Clamp Assembly

4.4 *Load*, constructed so that when placed in the holder, its center of gravity will coincide with the center of the loading rod. It shall be readily detachable for the operator's convenience in taking no-load and full-load readings and shall not be of sufficient weight to deflect the specimen more than 0.30 in. (7.6 mm).

4.5 *Bath*—A stirred liquid so that the temperature shall be substantially constant during the test.

4.6 *Electronic Indicator*, sensitive, low-current, to give a signal when the micrometer depth gage shaft completes the electrical circuit across the indicator terminals by touching the top of the loading rod. The indicator sensitivity shall be such that loading rod positions can be determined with a precision of ± 0.0001 in. (0.002 mm).

4.7 All metallic components of apparatus, excluding micrometer and loads, should be made of very low coefficient of thermal expansion materials. The recommended material is invar.

5. Precautions

5.1 Load and no-load readings of the various trials will not approximately duplicate each other in the event the load is sufficiently great to overstress the specimen beyond its elastic limit. In this case a new specimen shall be substituted and a lighter load used which will not overstress the material.

5.2 Modulus of elasticity measurements to be within the maximum recommended temperatures as stated in Specification B 388.

6. Test Specimen

6.1 The test specimen shall be the form of a strip approximately $1 \frac{1}{4}$ in. (31.8 mm) longer than the gage length. The thickness may be any value between 0.015 and 0.055 in. (0.38