

5 YfcbUj h_U! ?cbY_lcfžcdh] b]žc_fc[`]žYbc_UbUbjždf]_`f Yb`g`gUa cnU`Ydb]a
cVfc _ca žgHJbUXYcj bUHya dYfUi fUXc`% \$ š7 `!`%\$* "XY. G`YdUj h] b]WJn
Ybc`i _b`Ughc`df]fcVb]Wc`!`GHUbXUfX`nUdfc]nj cX

Aerospace series - Connector, optical, circular, single channel, coupled by self-locking ring, operating temperature up to 150 °C continuous - Part 106: Receptacle connector dummy jam nut - Product standard

STANDARD PREVIEW

Luft- und Raumfahrt - Optischer Rundsteckverbinder einpolig Schraubkupplung, Betriebstemperatur 150 °C konstant - Teil 106: Blindsteckdose mit einlochbefestigung - Produktnorm

[SIST EN 3733-106:2008](https://standards.iteh.ai/catalog/standards/sist/23a27d07-a573-4907-91f2-4d000a000000/sist-en-3733-106-2008)

[https://standards.iteh.ai/catalog/standards/sist/23a27d07-a573-4907-91f2-](https://standards.iteh.ai/catalog/standards/sist/23a27d07-a573-4907-91f2-4d000a000000/sist-en-3733-106-2008)

Série aérospatiale - Connecteur optique circulaire monovoie à accouplement par bague fileté, température d'utilisation 150 °C continu - Partie 106 : Embase de repos, fixation par écrou - Norme de produit

Ta slovenski standard je istoveten z: EN 3733-106:2008

ICS:

49.060 Š^c\ æš Á^•[|b\ æ Aerospace electric
^|\ dā} æ] !^ { æš Á ã c { ã equipment and systems

SIST EN 3733-106:2008 en

iTeh STANDARD PREVIEW
(standards.iteh.ai)

SIST EN 3733-106:2008

<https://standards.iteh.ai/catalog/standards/sist/23a27d07-a573-4907-91f2-d1d3be3e8a0d/sist-en-3733-106-2008>

ICS 49.060

English Version

**Aerospace series - Connector, optical, circular, single channel,
coupled by self-locking ring, operating temperature up to 150 °C
continuous - Part 106: Receptacle connector dummy jam nut -
Product standard**

Série aérospatiale - Connecteur optique circulaire
monovoie à accouplement par bague filetée, température
d'utilisation 150 °C continu - Partie 106 : Embase de repos,
fixation par écrou - Norme de produit

Luft- und Raumfahrt - Optischer Rundsteckverbinder
einpolig Schraubkupplung, Betriebstemperatur 150 °C
konstant - Teil 106: Blindsteckdose mit einlochbefestigung -
Produktnorm

This European Standard was approved by CEN on 19 January 2008.

CEN members are bound to comply with the CEN/CENELEC Internal Regulations which stipulate the conditions for giving this European Standard the status of a national standard without any alteration. Up-to-date lists and bibliographical references concerning such national standards may be obtained on application to the CEN Management Centre or to any CEN member.

This European Standard exists in three official versions (English, French, German). A version in any other language made by translation under the responsibility of a CEN member into its own language and notified to the CEN Management Centre has the same status as the official versions.

[SIST EN 3733-106:2008](https://standards.iteh.ai/catalog/standards/sist/23a27d07-a573-4907-91d7-11d1831a0000/EN-3733-106-2008)

CEN members are the national standards bodies of Austria, Belgium, Bulgaria, Cyprus, Czech Republic, Denmark, Estonia, Finland, France, Germany, Greece, Hungary, Iceland, Ireland, Italy, Latvia, Lithuania, Luxembourg, Malta, Netherlands, Norway, Poland, Portugal, Romania, Slovakia, Slovenia, Spain, Sweden, Switzerland and United Kingdom.



EUROPEAN COMMITTEE FOR STANDARDIZATION
COMITÉ EUROPÉEN DE NORMALISATION
EUROPÄISCHES KOMITEE FÜR NORMUNG

Management Centre: rue de Stassart, 36 B-1050 Brussels

Contents

Page

Foreword.....	3
1 Scope	4
2 Normative references	4
3 Terms and definitions	4
4 Required characteristics	4
5 Designation	6
6 Marking	7
7 Technical specification	7

iTeh STANDARD PREVIEW (standards.iteh.ai)

[SIST EN 3733-106:2008](https://standards.iteh.ai/catalog/standards/sist/23a27d07-a573-4907-91f2-d1d3be3e8a0d/sist-en-3733-106-2008)

<https://standards.iteh.ai/catalog/standards/sist/23a27d07-a573-4907-91f2-d1d3be3e8a0d/sist-en-3733-106-2008>

Foreword

This document (EN 3733-106:2008) has been prepared by the Aerospace and Defence Industries Association of Europe - Standardization (ASD-STAN).

After enquiries and votes carried out in accordance with the rules of this Association, this Standard has received the approval of the National Associations and the Official Services of the member countries of ASD, prior to its presentation to CEN.

This European Standard shall be given the status of a national standard, either by publication of an identical text or by endorsement, at the latest by October 2008, and conflicting national standards shall be withdrawn at the latest by October 2008.

Attention is drawn to the possibility that some of the elements of this document may be the subject of patent rights. CEN [and/or CENELEC] shall not be held responsible for identifying any or all such patent rights.

According to the CEN/CENELEC Internal Regulations, the national standards organizations of the following countries are bound to implement this European Standard: Austria, Belgium, Bulgaria, Cyprus, Czech Republic, Denmark, Estonia, Finland, France, Germany, Greece, Hungary, Iceland, Ireland, Italy, Latvia, Lithuania, Luxembourg, Malta, Netherlands, Norway, Poland, Portugal, Romania, Slovakia, Slovenia, Spain, Sweden, Switzerland and the United Kingdom.

ITEH STANDARD PREVIEW
(standards.iteh.ai)

SIST EN 3733-106:2008

<https://standards.iteh.ai/catalog/standards/sist/23a27d07-a573-4907-91f2-d1d3be3e8a0d/sist-en-3733-106-2008>

1 Scope

This standard specifies the characteristics of receptacle connector dummy jam nut fixing for single channel fibre optic plug connectors, operating temperature up to 150 °C.

Connector interface dimensions, table of tests and qualification approval requirements, are contained in the Technical Specification EN 3733-001. EN 3733-002, List of product standards, includes the listings of product types, codification and applicable combinations of product types.

2 Normative references

The following referenced documents are indispensable for the application of this document. For dated references, only the edition cited applies. For undated references, the latest edition of the referenced document (including any amendments) applies.

EN 2591-100, *Aerospace series — Elements of electrical and optical connection — Test methods — Part 100: General.*

EN 3733-001, *Aerospace series — Connector, optical, circular, single channel, coupled by self-locking ring, operating temperature up to 150 °C continuous — Part 001: Technical specification.*¹⁾

EN 3733-002, *Aerospace series — Connector, optical, circular, single channel, coupled by self-locking ring, operating temperature up to 150 °C continuous — Part 002: List of product standards.*

EN 3733-003, *Aerospace series — Connector, optical, circular, single channel, coupled by self-locking ring, operating temperature up to 150 °C continuous — Part 003: Plug connector for cable to EN 4532 — Product standard.*

EN 3733-006, *Aerospace series — Connector, optical, circular, single channel, coupled by self-locking ring, operating temperature up to 150 °C continuous — Part 006: Receptacle connector, jam nut fixing for cable to EN 4532 — Product standard.*

3 Terms and definitions

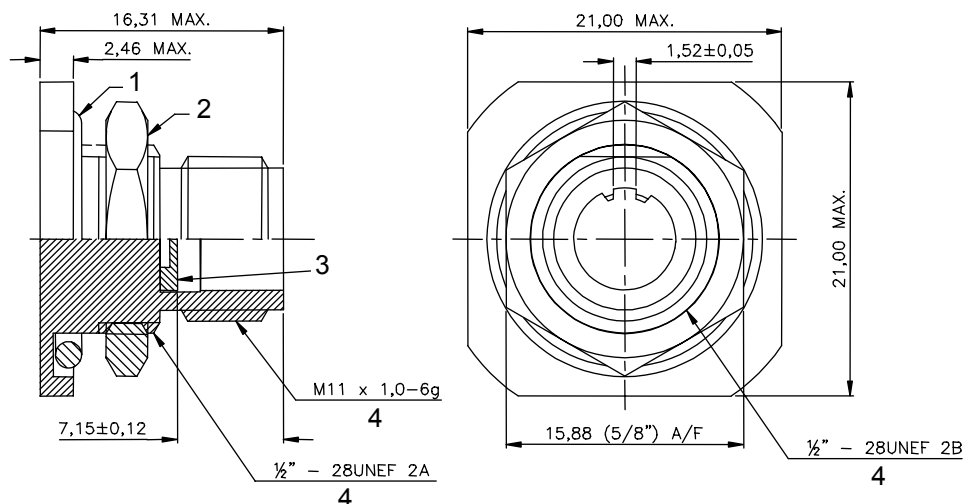
For the purposes of this document, the terms and definitions given in EN 2591-100 apply.

4 Required characteristics

4.1 Dimensions and mass

Dimensions (in millimetres) shall be as shown in Figure 1.

1) Published as ASD Prestandard at the date of publication of this standard.



Key

- 1 O-ring
- 2 Panel nut
- 3 Seal
- 4 Thread

Figure 1
iTeh STANDARD PREVIEW
(standards.iteh.ai)

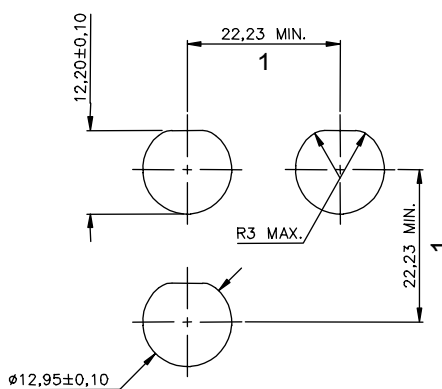
Mass: 19,1 g max.

4.2 Panel cut-out and mounting of connectors

Panel cut-out and connector mounting details shall be as shown in Figures 2 and 3 respectively.

Dimensions are in millimetres.

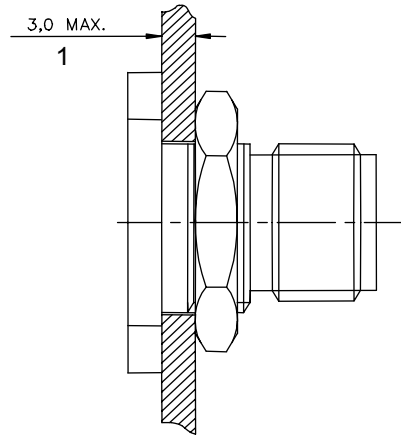
Jam nut panel mounting detail



Key

- 1 Recommended

Figure 2



Key

1 Panel thickness

Figure 3

4.3 Materials

Nickel-copper shell, fluorosilicone seal.

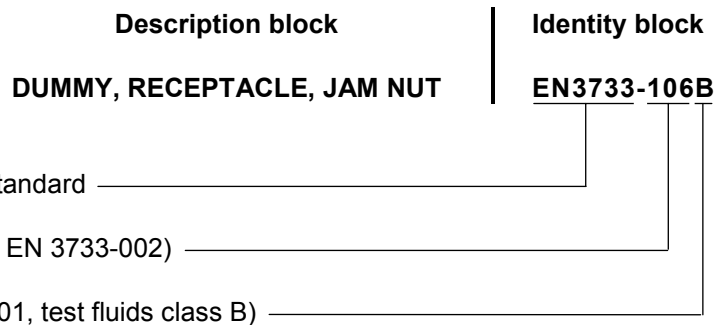
4.4 Application combinations

This dummy receptacle is for use with Product Standards conforming to EN 3733-003 and incorporates universal keying to enable any plug connector keyway orientation to be accommodated. See EN 3733-002 for applicable combinations of accessories and connectors.

iTeH STANDARD PREVIEW
(standards.iteh.ai)
<https://standards.iteh.ai/catalog/standards/sist/23a27d07-a573-4907-91f2-d1d3be3e8a0d/sist-en-3733-106-2008>

5 Designation

EXAMPLE



NOTE 1 Part number spacing as shown is for clarity only.

NOTE 2 If necessary, the code I9005 may be placed between the description block and the identity block.