

5 YfcbUj h\_U! ?cbY lcfžcdh] b]žc\_fc[ `]žYbc\_UbUbjždf] `f Yb`g`gUa cnU`Ydb]a  
cVfc Ya žg`ghUbc`XYcj bc`hYa dYfUi fc`Xc`% \$`š7 `!`\$\$( "XY. `DcX`U] Už`cbY`lcfž  
df]lfX]hYj `g`y`hf]a ]`i \_b`Ua ]j `g`UXi `n`9B`(`)' &žGHUbXUfX`nUdfc]nj cX

Aerospace series - Connector, optical, circular, single channel, coupled by self-locking ring, operating temperature 150 °C continuous - Part 004: Receptacle, connector, four hole fixing cable according to EN 4532, product standard

**STANDARD PREVIEW**

Luft- und Raumfahrt - Optischer Rundsteckverbinder einpolig, Schraubkupplung, Betriebstemperatur 150 °C konstant - Teil 004: Fester Steckverbinder mit vier Befestigungsbohrungen für Kabel nach EN 4532, Produktnorm

[SIST EN 3733-004:2008](https://standards.iteh.ai/catalog/standards/sist/9ce77e96-b92e-45ee-b38c-)

<https://standards.iteh.ai/catalog/standards/sist/9ce77e96-b92e-45ee-b38c->

Série aérospatiale - Connecteur optique circulaire monovoie à accouplement par bague fileté, température d'utilisation 150 °C continu - Partie 004: Embase à collerette à quatre trous pour la fixation pour câble selon l'EN 4532 - Norme de produit

**Ta slovenski standard je istoveten z: EN 3733-004:2008**

**ICS:**

49.060 Š^cp \ æš Ą^• [ |b \ æ Aerospace electric  
^|\ dā } æ ] !^ { æš Ą ā c { ā equipment and systems

**SIST EN 3733-004:2008**

**en**

**iTeh STANDARD PREVIEW**  
**(standards.iteh.ai)**

SIST EN 3733-004:2008

<https://standards.iteh.ai/catalog/standards/sist/9ce77e96-b92e-45ee-b38c-a90d38d97382/sist-en-3733-004-2008>

ICS 49.060

English Version

Aerospace series - Connector, optical, circular, single channel,  
coupled by self-locking ring, operating temperature 150 °C  
continuous - Part 004: Receptacle, connector, four hole fixing  
cable according to EN 4532, product standard

Série aérospatiale - Connecteur optique circulaire  
monovoie à accouplement par bague fileté, température  
d'utilisation 150 °C continu - Partie 004: Embase à  
collerette à quatre trous pour la fixation pour câble selon  
l'EN 4532 - Norme de produit

Luft- und Raumfahrt - Optischer Rundsteckverbinder  
einpolig, Schraubkupplung, Betriebstemperatur 150 °C  
konstant - Teil 004: Fester Steckverbinder mit vier  
Befestigungsbohrungen für Kabel nach EN 4532,  
Produktnorm

This European Standard was approved by CEN on 16 September 2007.

CEN members are bound to comply with the CEN/CENELEC Internal Regulations which stipulate the conditions for giving this European Standard the status of a national standard without any alteration. Up-to-date lists and bibliographical references concerning such national standards may be obtained on application to the CEN Management Centre or to any CEN member.

This European Standard exists in three official versions (English, French, German). A version in any other language made by translation under the responsibility of a CEN member into its own language and notified to the CEN Management Centre has the same status as the official versions.

<https://standards.itech.ai/catalog/standards/sist/9ce77e96-b92e-45ee-b38c-60e861a3770a/en-3733-004>

CEN members are the national standards bodies of Austria, Belgium, Bulgaria, Cyprus, Czech Republic, Denmark, Estonia, Finland, France, Germany, Greece, Hungary, Iceland, Ireland, Italy, Latvia, Lithuania, Luxembourg, Malta, Netherlands, Norway, Poland, Portugal, Romania, Slovakia, Slovenia, Spain, Sweden, Switzerland and United Kingdom.



EUROPEAN COMMITTEE FOR STANDARDIZATION  
COMITÉ EUROPÉEN DE NORMALISATION  
EUROPÄISCHES KOMITEE FÜR NORMUNG

Management Centre: rue de Stassart, 36 B-1050 Brussels

# Contents

Page

Foreword.....	3
1 Scope .....	4
2 Normative references .....	4
3 Terminology .....	4
4 Required characteristics .....	5
4.1 Dimensions and mass .....	5
4.2 Panel cut-out and mounting of connectors .....	5
4.3 Materials .....	6
4.4 Main general characteristics .....	7
4.5 Possible combinations of plugs and receptacles .....	7
5 Designation .....	7
6 Marking .....	7
7 Technical specification .....	8

## Figures

Figure 1 .....	5
Figure 2 .....	6
Figure 3 .....	6

**iTeh STANDARD PREVIEW**  
**(standards.iteh.ai)**  
[SIST EN 3733-004:2008](https://standards.iteh.ai/catalog/standards/sist/9ce77e96-b92e-45ee-b38c-a90d38d97382/sist-en-3733-004-2008)  
<https://standards.iteh.ai/catalog/standards/sist/9ce77e96-b92e-45ee-b38c-a90d38d97382/sist-en-3733-004-2008>

## Tables

Table 1 — Compatible connectors and spare parts .....	7
Table 2 — Additional test requirements applicable to this product standard .....	8

## Foreword

This document (EN 3733-004:2008) has been prepared by the Aerospace and Defence Industries Association of Europe - Standardization (ASD-STAN).

After enquiries and votes carried out in accordance with the rules of this Association, this Standard has received the approval of the National Associations and the Official Services of the member countries of ASD, prior to its presentation to CEN.

This European Standard shall be given the status of a national standard, either by publication of an identical text or by endorsement, at the latest by October 2008, and conflicting national standards shall be withdrawn at the latest by October 2008.

Attention is drawn to the possibility that some of the elements of this document may be the subject of patent rights. CEN [and/or CENELEC] shall not be held responsible for identifying any or all such patent rights.

According to the CEN/CENELEC Internal Regulations, the national standards organizations of the following countries are bound to implement this European Standard: Austria, Belgium, Bulgaria, Cyprus, Czech Republic, Denmark, Estonia, Finland, France, Germany, Greece, Hungary, Iceland, Ireland, Italy, Latvia, Lithuania, Luxembourg, Malta, Netherlands, Norway, Poland, Portugal, Romania, Slovakia, Slovenia, Spain, Sweden, Switzerland and the United Kingdom.

ITEH STANDARD PREVIEW  
(standards.iteh.ai)

SIST EN 3733-004:2008

<https://standards.iteh.ai/catalog/standards/sist/9ce77e96-b92e-45ee-b38c-a90d38d97382/sist-en-3733-004-2008>

## 1 Scope

This standard specifies the characteristics of receptacle connectors with four hole fixing in the family of circular single channel fibre optic connectors incorporating ferrules for aerospace series single core optical cable in accordance with EN 4532.

Connector interface dimensions, table of tests and qualification approval requirements, are contained in the Technical Specification EN 3733-001. EN 3733-002, List of product standards, includes the listings of product types, codification and applicable combinations of product types.

## 2 Normative references

The following referenced documents are indispensable for the application of this document. For dated references, only the edition cited applies. For undated references, the latest edition of the referenced document (including any amendments) applies.

EN 2591, *Aerospace series — Elements of electrical and optical connection — Test methods — General*<sup>1)</sup>

EN 2591-100, *Aerospace series — Elements of electrical and optical connection — Test methods — Part 100: General*

EN 3733-001, *Aerospace series — Connector, optical, circular, single channel, coupled by self-locking ring, operating temperature 150 °C continuous — Part 001: Technical specification*<sup>2)</sup>

EN 3733-002, *Aerospace series — Connector, optical, circular, single channel, coupled by self-locking ring, operating temperature 150 °C continuous — Part 002: List of product standards*<sup>2)</sup>

EN 3733-003, *Aerospace series — Connector, optical, circular, single channel, coupled by self-locking ring, operating temperature 150 °C continuous — Part 003: Plug connector for cable according to EN 4532, product standard*<sup>2)</sup>

EN 3733-007, *Aerospace series — Connector, optical, circular, single channel, coupled by self-locking ring, operating temperature 150 °C continuous — Part 007: Ferrule (optical contact) for cable according to EN 4532 (200 µm/280 µm fibre), product standard*<sup>2)</sup>

EN 3733-009, *Aerospace series — Connector, optical, circular, single channel, coupled by self-locking ring, operating temperature up to 150 °C continuous — Part 009: Receptacle sub-assembly for cable to EN 4532 (200 µm/280 µm fibre) — Product standard*

EN 4532, *Aerospace series — Cables, optical, single core — 200/280 µm fibre, 2,5 mm outer jacket — Technical specification*<sup>2)</sup>

MIL-STD-810F, *Environmental Engineering Considerations and Laboratory Tests*<sup>3)</sup>

## 3 Terminology

See EN 2591-100.

---

1) All parts quoted in Table 2.

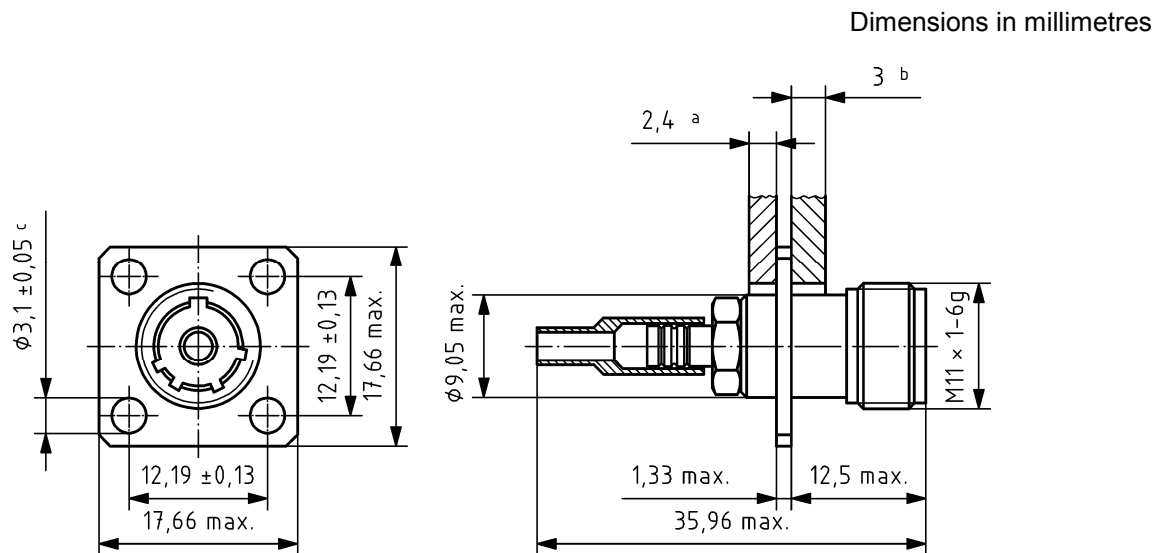
2) Published as AECMA prestandard at the date of publication of this standard.

3) Published by: Department of Defense (DOD), the Pentagon, Washington, DC 20301, USA.

## 4 Required characteristics

### 4.1 Dimensions and mass

Dimensions shall be as shown in Figure 1.



#### Key

a max. panel thickness front mounted

b max. panel thickness rear mounted

c 4 holes typical

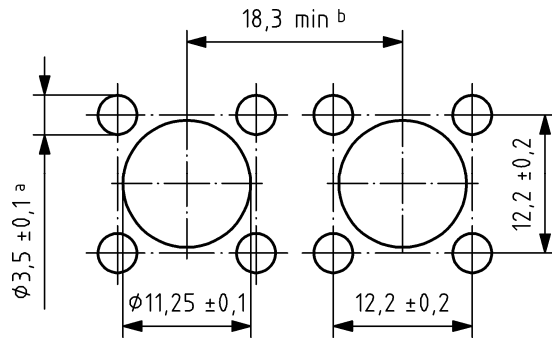
Mass: 14,1 g max.

NOTE Terminated overall length assumes a maximum gap of 1 mm between crimp sleeve and rear nut.

Figure 1

### 4.2 Panel cut-out and mounting of connectors

Panel cut-out and connector mounting details shall be as shown in Figures 2 and 3 respectively.

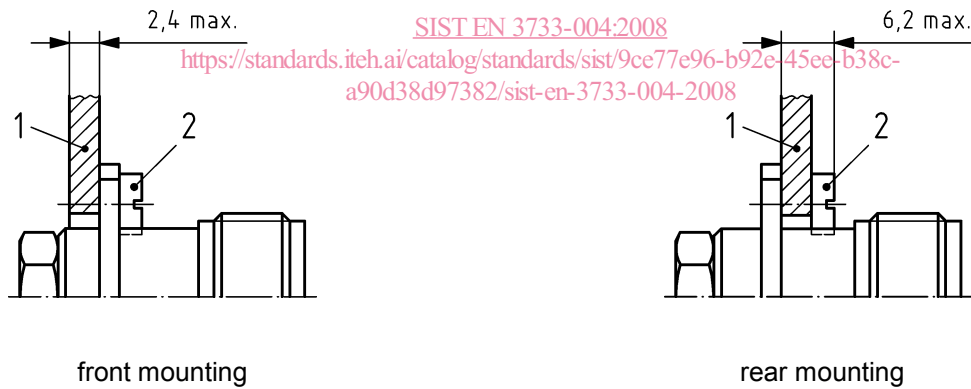


**Key**

- a 4 holes typical
- b minimum recommended

**Figure 2**

**iTeh STANDARD PREVIEW**  
**(standards.iteh.ai)**



**Key**

- 1 panel
- 2 screw head

**Figure 3**

**4.3 Materials**

Nickel-copper alloy connector shell.



#### 4.4 Main general characteristics

See EN 3733-002.

#### 4.5 Possible combinations of plugs and receptacles

Compatibility shall be in accordance with Table 1 for combinations of connector and deliverable spares. Connectors terminated with cable to EN 4532 are only compatible with similarly terminated mating connectors.

Table 1 — Compatible connectors and spare parts

Subject connector		Compatible mating connector	
Product standard EN 3733–	Product type	Product standard EN 3733–	Product type
004	Receptacle, connector, four hole fixing	003	Plug connector
		Spare parts for 004	
		Product standard EN 3733–	Product type
		007	Ferrule
		009	Receptacle sub-assembly

See also EN 3733-002 for combination of protective covers and connectors.

(standards.iteh.ai)

#### 5 Designation

SIST EN 3733-004:2008

EXAMPLE:

<https://standards.iteh.ai/catalog/standards/sist/9ce77e96-b92e-45ee-b38c-a90d38d97382/sist-en-3733-004-2008>

Description block

CONNECTOR, OPTICAL, RECEPTACLE

Identity block

EN 3733 – 004 – B – X

Number of the basic standard

Product standard (see EN 3733-002, product type)

Class (see EN 3733-001, test fluids class B)

Polarization (see EN 3733-001)

NOTE 1 Part number spacing as shown is for better readability only.

NOTE 2 If necessary, the code I9005 may be placed between the description block and the identity block.

#### 6 Marking

See EN 3733-001.