
**Road vehicles — Safety glazing materials —
Mechanical tests**

Véhicules routiers — Vitrages de sécurité — Essais mécaniques

ITEH STANDARD PREVIEW
(standards.iteh.ai)
Full standard:
<https://standards.iteh.ai/catalog/standards/sist/eed61d8-928a-41d8-9279-3cc702ddeb21/iso-3537-1999>



Foreword

ISO (the International Organization for Standardization) is a worldwide federation of national standards bodies (ISO member bodies). The work of preparing International Standards is normally carried out through ISO technical committees. Each member body interested in a subject for which a technical committee has been established has the right to be represented on that committee. International organizations, governmental and non-governmental, in liaison with ISO, also take part in the work. ISO collaborates closely with the International Electrotechnical Commission (IEC) on all matters of electrotechnical standardization.

International Standards are drafted in accordance with the rules given in the ISO/IEC Directives, Part 3.

Draft International Standards adopted by the technical committees are circulated to the member bodies for voting. Publication as an International Standard requires approval by at least 75 % of the member bodies casting a vote.

International Standard ISO 3537 was prepared by Technical Committee ISO/TC 22, *Road vehicles*, Subcommittee SC 11, *Safety glazing materials*.

This third edition cancels and replaces the second edition (ISO 3537:1993), which has been technically revised.

PREVIEW
iTeh STANDARD
(standards.itih.ai)
Full standard:
<https://standards.itih.ai/catalog/standards/sist/eed61188-928a-41d8-9279-3cc702ddeb21/iso-3537-1999>

© ISO 1999

All rights reserved. Unless otherwise specified, no part of this publication may be reproduced or utilized in any form or by any means, electronic or mechanical, including photocopying and microfilm, without permission in writing from the publisher.

International Organization for Standardization
Case postale 56 • CH-1211 Genève 20 • Switzerland
Internet iso@iso.ch

Printed in Switzerland

Road vehicles — Safety glazing materials — Mechanical tests

1 Scope

This International Standard specifies mechanical test methods relating to the safety requirements for all safety glazing materials in a road vehicle, whatever the type of glass or other material of which they are composed.

2 Normative references

The following normative documents contain provisions which, through reference in this text, constitute provisions of this International Standard. For dated references, subsequent amendments to, or revisions of, any of these publications do not apply. However, parties to agreements based on this International Standard are encouraged to investigate the possibility of applying the most recent editions of the normative documents indicated below. For undated references, the latest edition of the normative document referred to applies. Members of ISO and IEC maintain registers of currently valid International Standards.

ISO 48:1994, *Rubber, vulcanized or thermoplastic — Determination of hardness (hardness between 10 IRHD and 100 IRHD)*.

ISO 3536:1998, *Road vehicles — Safety glazing materials — Vocabulary*.

ISO 15082:—¹⁾, *Road vehicles — Tests for rigid plastic safety glazing materials*.

3 Terms and definitions

For the purposes of this International Standard, the terms and definitions given in ISO 3536 apply.

4 Test conditions

Unless otherwise specified, the tests shall be carried out under the following conditions:

Ambient temperature: 20 °C ± 5 °C

Atmospheric pressure: 86 kPa to 106 kPa (860 mbar to 1 060 mbar)

Relative humidity: (60 ± 20) %

5 Application of tests

For certain types of safety glazing materials, it is not necessary to carry out all the tests specified in this International Standard, when the results, according to the purpose of testing, can be predicted with certainty from knowledge of the properties of the safety glazing material concerned.

¹⁾ To be published.

6 227 g ball test

Test rigid plastic safety glazing materials in accordance with ISO 15082.

6.1 Principle

Determination of whether the safety glazing material has a certain minimum strength and cohesion under impact from a small hard object.

6.2 Apparatus

6.2.1 Hardness steel ball, with a mass of $227 \text{ g} \pm 2 \text{ g}$ and a diameter of approximately 38 mm.

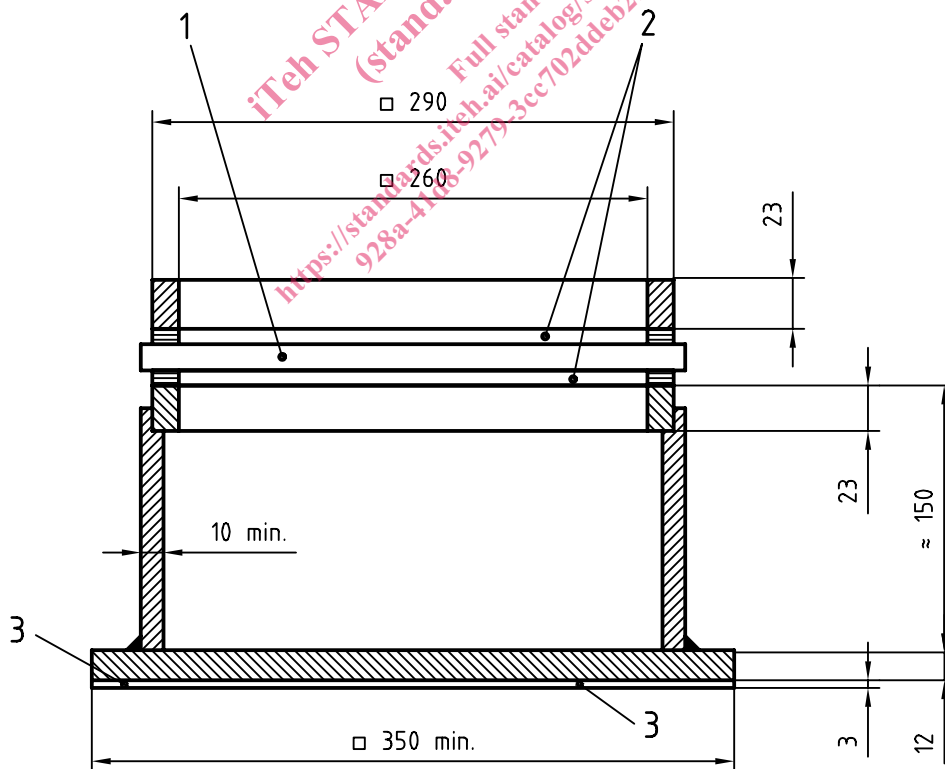
6.2.2 Means for dropping the ball freely from a height to be specified, or **means for giving the ball a velocity equivalent to that obtained by the free fall**.

When a device to project the ball is used, the tolerance on velocity shall be $\pm 1\%$ of the velocity equivalent to that obtained by the free fall.

6.2.3 Supporting fixture, such as that shown in Figure 1, composed of two steel frames, with machined borders, 15 mm wide, fitting one over the other and faced with rubber gaskets about 3 mm thick and 15 mm wide, of hardness 50 IRHD, determined in accordance with ISO 48.

The lower frame rests on a steel box, about 150 mm high. The test piece is held in place by the upper frame, the mass of which is about 3 kg. The supporting frame is welded on a sheet of steel about 12 mm thick, resting on the floor, with an interposed sheet of rubber, about 3 mm thick, of hardness 50 IRHD.

Dimensions in millimetres



Key

- 1 Test piece
- 2 Rubber gasket
- 3 Sheet of rubber

Figure 1 — Support for ball tests

6.3 Test piece

The test piece shall be a flat square with 300 mm $+10_0$ mm sides.

6.4 Procedure

Condition the test piece at the specified temperature for at least 4 h immediately preceding the test.

Place the test piece in the fixture (6.2.3). The plane of the test piece shall be perpendicular, within 3°, to the incident direction of the ball. When necessary to retain the test piece in the fixture, it shall be clamped to ensure that the movement of the test piece during test shall not exceed 2 mm at any point along the inside periphery of the fixture.

The point of impact shall be within 25 mm of the geometric centre of the test piece for a drop height less than or equal to 6 m, and within 50 mm of the centre of the test piece for a drop height greater than 6 m.

The ball shall strike the face of the test piece which represents the outside face of the safety glazing material when mounted on the vehicle. The ball shall be allowed to make only one impact.

6.5 Expression of results

Assess the type and extent of damage to the test piece. If fragments are detached from the test piece, the total mass of the fragments and the mass of the largest fragment, detached from the side remote from impact, shall be weighed to the nearest 0,1 g.

7 2 260 g ball test

Test rigid plastic safety glazing materials in accordance with ISO 15082.

7.1 Principle

Evaluation of the penetration resistance of the safety glazing material.

7.2 Apparatus

7.2.1 Hardened steel ball, with a mass of 2 260 g \pm 20 g and a diameter of approximately 82 mm.

7.2.2 Means for dropping the ball freely from a height to be specified, or **means for giving the ball a velocity equivalent to that obtained by the free fall**.

When a device to project the ball is used, the tolerance on velocity shall be \pm 1% of the velocity equivalent to that obtained by the free fall.

7.2.3 Supporting fixture, as described in 6.2.3.

7.3 Test piece

The test piece shall be a flat square with 300 mm $+10_0$ mm sides or shall be cut out from the flattest part of a windscreen or other curved safety glazing material.

Alternatively, the whole windscreen or other curved safety glazing material may be tested. In this case, care shall be taken to ensure adequate contact between the safety glazing material and the support.

7.4 Procedure

Condition the test piece at the specified temperature for a least 4 h immediately preceding the test.

Place the test piece in the fixture (6.2.3). The plane of the test piece shall be perpendicular, within 3°, to the incident direction of the ball. When necessary to retain the test piece in the fixture, the test piece in the fixture shall be clamped to ensure that the movement of the test piece during test shall not exceed 2 mm at any point along the inside periphery of the fixture.

The point of impact shall be within 25 mm of the geometric centre of the test piece. The ball shall strike the face of the test piece which represents the internal face of the safety glazing material when mounted on the vehicle. The ball shall be allowed to make only one impact.

7.5 Expression of results

If the ball passes completely through the test piece within 5 s after the impact, the result shall be recorded as a "penetration". If the ball remains on top of the test piece, or wedged in a hole, for 5 s or more, the result shall be recorded as a "support".

8 Abrasion test

Test rigid plastic safety glazing materials in accordance with ISO 15082.

8.1 Principle

Determination of whether the safety glazing material has a certain minimum resistance to abrasion.

8.2 Apparatus

8.2.1 Abrading instrument,²⁾ shown diagrammatically in Figure 2, and consisting of

- horizontal turntable and centre clamp which revolves counter-clockwise at 55 r/min to 75 r/min;
- two weighted parallel arms, each carrying a special abrasive wheel freely rotating on a ball bearing horizontal spindle; each wheel rests on the test specimen under the pressure exerted by a mass of 500 g.

The turntable of the abrading instrument shall rotate regularly, substantially in one plane (the deviation from this plane shall not be greater than $\pm 0,05$ mm at a distance of 1,6 mm from the turntable periphery).

The wheels shall be mounted in such a way that when they are in contact with the rotating test piece, they rotate in contrary directions so as to exert a compressive and abrasive action along curved lines over an annular area of about 30 cm², twice during each rotation of the test piece.

²⁾ A suitable abrading instrument is supplied by Teledyne Taber (USA).

This information is given for the convenience for users of this International Standard and does not constitute an endorsement by ISO of the product named. Equivalent products may be used if they can be shown to lead to the same results.

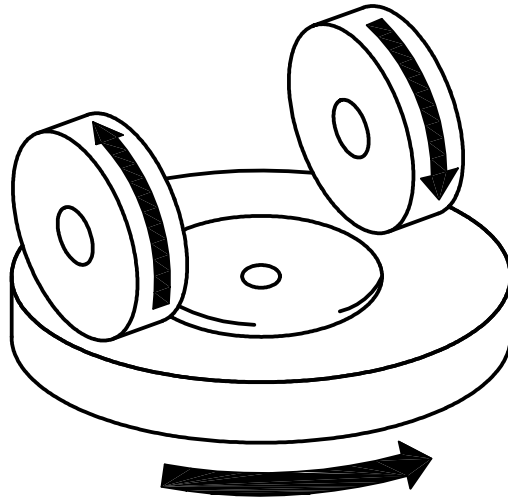


Figure 2 — Diagram of abrading instrument

8.2.2 Abrasive wheels,³⁾ each 45 mm to 50 mm in diameter and 12,5 mm thick, composed of special finely screened abrasive embedded in a medium-hard rubber. The wheels shall have a hardness of 72 IRHD \pm 5 IRHD measured at four points equally spaced on the centreline of the abrading surface with the pressure directly applied vertically along a diameter of the wheel, the readings being taken 10 s after full application of pressure.

The abrasive wheels shall be prepared for use by very slow rotation against a sheet of flat glass.

8.2.3 Light source, consisting of an incandescent lamp, the filament of which is contained within a parallelepiped 1,5 mm \times 1,5 mm \times 3 mm. The voltage at the lamp terminals shall be such that the colour temperature is 2 856 K \pm 50 K. This voltage shall be stabilized within 1/1 000. The instrument used to check the voltage shall be of appropriate accuracy for this application. Alternatively, the source colour, Illuminant A, may be altered to Illuminant C by placing a daylight filter in the light beam.

8.2.4 Optical system, consisting of a lens corrected for chromatic aberrations. The clear aperture of the lens shall not exceed $f/20$. The distance between the lens and the light source shall be adjusted in order to obtain a light beam which is substantially parallel.

A diaphragm shall be inserted to limit the diameter of the light beam to 7 mm \pm 1 mm. This diaphragm shall be situated at a distance of 100 mm \pm 50 mm from the lens of the side remote from the light source.

8.2.5 Equipment for measuring scattered light (see Figure 3), consisting of photoelectric cell with an integrating sphere of diameter 200 mm to 250 mm. The sphere shall be equipped with entrance and exit ports for the light. The entrance port shall be circular and have a diameter at least twice that of the light beam. The exit port of the sphere is provided with a light-trap or a reflectance standard respectively according to the procedure described in 8.4.4. The light-trap shall absorb the light when no test piece is inserted in the light beam.

The axis of the light beam shall pass through the centre of the entrance and exit ports. The diameter b of the light exit port shall be equal to $2a \tan 4^\circ$, where a is the diameter of the sphere.

The photoelectric cell shall be mounted in such a way that it cannot be reached by light coming directly from the entrance port or from the reflectance standard.

³⁾ Suitable abrasive wheels may be obtained from Teledyne Taber (USA).

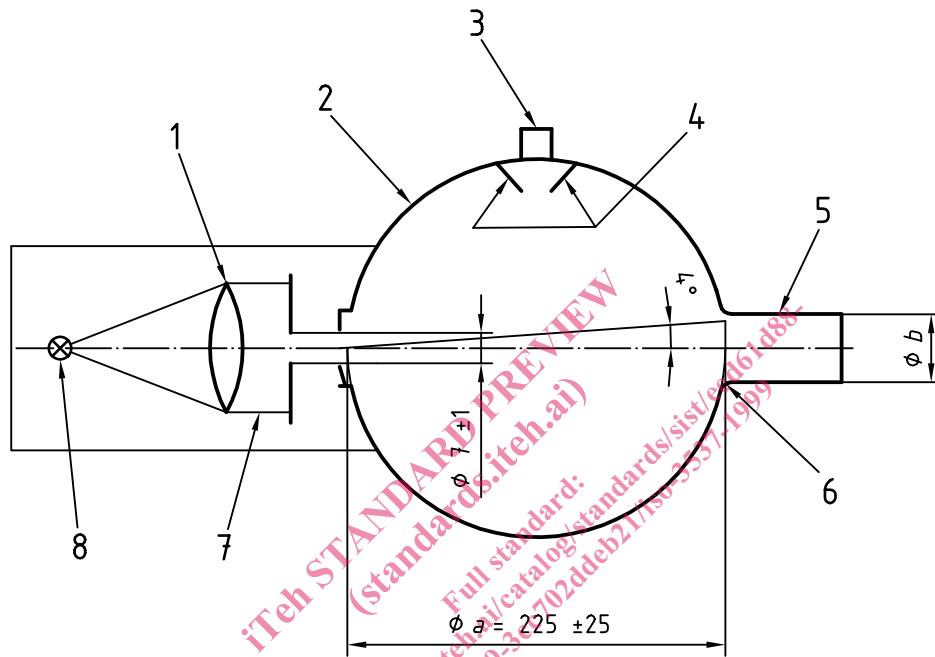
This information is given for the convenience for users of this International Standard and does not constitute an endorsement by ISO of the product named. Equivalent products may be used if they can be shown to lead to the same results.

The surfaces of the interior of the integrating sphere and the reflectance standard shall be of substantially equal reflectance and shall be matt and non-selective.

The output of the photoelectric cell shall be linear within $\pm 2\%$ over the range of luminous intensity used. The design of the instrument shall be such that there is no galvanometer deflection when the sphere is dark.

The whole apparatus shall be checked at regular intervals by means of calibration standards of defined haze.

Dimensions in millimetres



Key

- | | | | |
|---|--------------------|---|-----------------------|
| 1 | Lens | 5 | Light-trap |
| 2 | Integrating sphere | 6 | Opening of light-trap |
| 3 | Photoelectric cell | 7 | Parallel beam |
| 4 | Baffles | 8 | Lamp |

8.3 Test pieces

The test pieces shall be flat squares with 100 mm sides having both surfaces substantially plane and parallel, and optionally with a 6,3 mm diameter fixing hole drilled in the centre.

8.4 Procedure

8.4.1 The abrasion test shall be carried out on both inside and outside surfaces of the safety glazing material except in the case where both surfaces are comprised of glass. In this case they shall be carried out only on the outside surface.

8.4.2 Immediately before and after the abrasion, clean the test pieces in the following manner:

- a) wipe with a linen cloth under clean running water;

- b) rinse with distilled or demineralized water;
- c) blow dry with air or nitrogen;
- d) remove possible traces of water by dabbing softly with a damp linen cloth. If necessary, dry by pressing lightly between two linen cloths.

Any treatment with ultrasonic equipment shall be avoided.

After cleaning, the test pieces shall be handled only by their edges and shall be stored to prevent damage to, or contamination of, their surfaces.

8.4.3 When testing glass surfaces of safety glazing materials, condition the test pieces prior to testing for a minimum of 48 h at 20 °C ± 5 °C and (60 ± 20) % relative humidity.

When testing plastic surfaces of safety glazing materials, condition the test pieces for a minimum of 48 h at 23 °C ± 2 °C and (50 ± 5) % relative humidity.

Condition the abrasive wheels, prior to testing, for a minimum of 48 h at the same conditions of temperature and relative humidity as the samples to be tested.

8.4.4 Immediately place the test piece against the entrance port of the integrating sphere. The angle between the normal to the surface of the test piece and the axis of the beam shall not exceed 8°.

Take the four readings indicated in Table 1.

Table 1

Reading	With test piece	With light trap	With reflectance standard	Quantity represented
τ_1	No	No	Yes	Incident light
τ_2	Yes	No	Yes	Total light transmitted by test piece
τ_3	No	Yes	No	Light scattered by instrument
τ_4	Yes	Yes	No	Light scattered by instrument and test piece

Repeat readings for τ_1 , τ_2 , τ_3 and τ_4 with additional specified positions of the test piece to determine uniformity.

Calculate the total transmittance:

$$\tau_t = \tau_2 / \tau_1 \quad (1)$$

Calculate the diffuse transmittance as follows:

$$\tau_d = \frac{\tau_4 - \tau_3(\tau_2 / \tau_1)}{\tau_1 - \tau_3} \quad (2)$$

Calculate the percentage haze, or light, or both, scattered as follows:

$$\frac{\tau_d}{\tau_t} \times 100 \quad (3)$$