

INTERNATIONAL STANDARD

**ISO
1478**

Second edition
1999-08-01

Tapping screws thread

Filetage de vis à tôle

iTeh Standards
(<https://standards.iteh.ai>)
Document Preview

[ISO 1478:1999](#)

<https://standards.iteh.ai/catalog/standards/iso/7127dc03-5960-4f6c-964c-867101b7632e/iso-1478-1999>



Reference number
ISO 1478:1999(E)

Foreword

ISO (the International Organization for Standardization) is a worldwide federation of national standards bodies (ISO member bodies). The work of preparing International Standards is normally carried out through ISO technical committees. Each member body interested in a subject for which a technical committee has been established has the right to be represented on that committee. International organizations, governmental and non-governmental, in liaison with ISO, also take part in the work. ISO collaborates closely with the International Electrotechnical Commission (IEC) on all matters of electrotechnical standardization.

International Standards are drafted in accordance with the rules given in the ISO/IEC Directives, Part 3.

Draft International Standards adopted by the technical committees are circulated to the member bodies for voting. Publication as an International Standard requires approval by at least 75 % of the member bodies casting a vote.

International Standard ISO 1478 was prepared by Technical Committee ISO/TC 2, *Fasteners*.

This second edition cancels and replaces the first edition (ISO 1478:1983) which has been technically revised.

iTeh Standards (<https://standards.iteh.ai>) Document Preview

[ISO 1478:1999](https://standards.iteh.ai/catalog/standards/iso/7127dc03-5960-4f6c-964c-867101b7632e/iso-1478-1999)

<https://standards.iteh.ai/catalog/standards/iso/7127dc03-5960-4f6c-964c-867101b7632e/iso-1478-1999>

© ISO 1999

All rights reserved. Unless otherwise specified, no part of this publication may be reproduced or utilized in any form or by any means, electronic or mechanical, including photocopying and microfilm, without permission in writing from the publisher.

International Organization for Standardization
Case postale 56 • CH-1211 Genève 20 • Switzerland
Internet iso@iso.ch

Printed in Switzerland

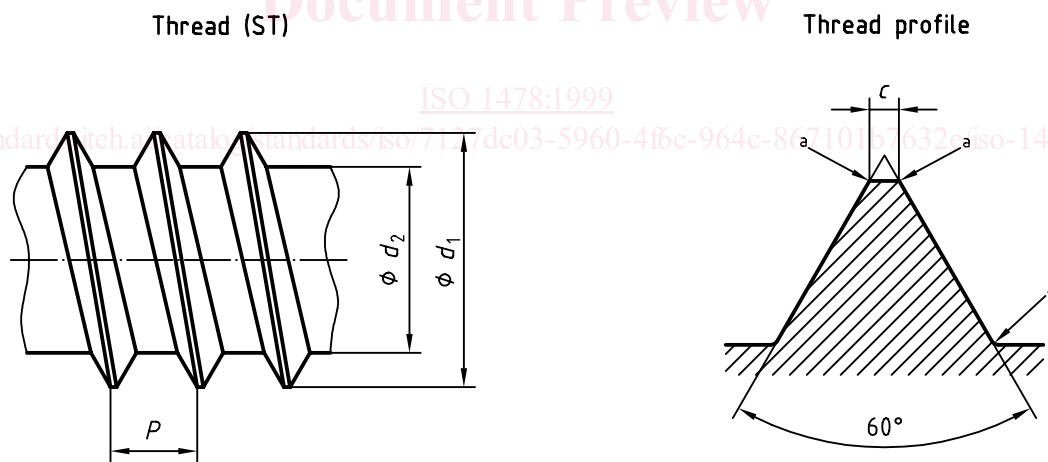
Tapping screws thread

1 Scope

This International Standard specifies the thread and thread ends for tapping screws (sheet metal screws) with thread sizes from ST1,5 to ST9,5 inclusive.

2 Dimensions

See Figures 1 and 2 and Table 1.



a Slight radius

Figure 1 — Thread dimensions