



**SLOVENSKI STANDARD**  
**SIST EN 474-9:2007/kprA1:2008**

**01-oktober-2008**

---

**Stroji za zemeljska dela - Varnost - 9. del: Zahteve za stroje za polaganje cevi**

Earth-moving machinery - Safety - Part 9: Requirements for pipelayers

Erdbaumaschinen - Sicherheit - Teil 9: Anforderungen für Rohrverleger

Engins de terrassement - Sécurité - Partie 9: Prescriptions applicables aux poseurs de canalisations

**Ta slovenski standard je istoveten z: EN 474-9:2006/prA1**

---

**ICS:**

53.100      Stroji za zemeljska dela      Earth-moving machinery

**SIST EN 474-9:2007/kprA1:2008**      en,fr

**ITeH STANDARD PREVIEW**  
**(standards.iteh.ai)**

Full standard:  
<https://standards.iteh.ai/catalog/standards/sist/9cd1a17f-ddb3-4c6a-8296-57cb9d456c4e/sist-en-4749-2007-kprA1-2008>

EUROPEAN STANDARD  
NORME EUROPÉENNE  
EUROPÄISCHE NORM

**FINAL DRAFT**  
**EN 474-9:2006**

**prA1**

June 2008

---

ICS 53.100

English Version

## Earth-moving machinery - Safety - Part 9: Requirements for pipelayers

Engins de terrassement - Sécurité - Partie 9: Prescriptions applicables aux poseurs de canalisations

Erdbaumaschinen - Sicherheit - Teil 9: Anforderungen für Rohrverleger

This draft amendment is submitted to CEN members for unique acceptance procedure. It has been drawn up by the Technical Committee CEN/TC 151.

This draft amendment A1, if approved, will modify the European Standard EN 474-9:2006. If this draft becomes an amendment, CEN members are bound to comply with the CEN/CENELEC Internal Regulations which stipulate the conditions for inclusion of this amendment into the relevant national standard without any alteration.

This draft amendment was established by CEN in three official versions (English, French, German). A version in any other language made by translation under the responsibility of a CEN member into its own language and notified to the CEN Management Centre has the same status as the official versions.

CEN members are the national standards bodies of Austria, Belgium, Bulgaria, Cyprus, Czech Republic, Denmark, Estonia, Finland, France, Germany, Greece, Hungary, Iceland, Ireland, Italy, Latvia, Lithuania, Luxembourg, Malta, Netherlands, Norway, Poland, Portugal, Romania, Slovakia, Slovenia, Spain, Sweden, Switzerland and United Kingdom.

**Warning** : This document is not a European Standard. It is distributed for review and comments. It is subject to change without notice and shall not be referred to as a European Standard.



EUROPEAN COMMITTEE FOR STANDARDIZATION  
COMITÉ EUROPÉEN DE NORMALISATION  
EUROPÄISCHES KOMITEE FÜR NORMUNG

**Management Centre: rue de Stassart, 36 B-1050 Brussels**

**EN 474-9:2006/prA1:2008 (E)****Foreword**

This document (EN 474-9:2006/prA1:2008) has been prepared by Technical Committee CEN/TC 151 “Construction equipment and building material machines — Safety”, the secretariat of which is held by DIN.

This document is currently submitted to the Unique Acceptance Procedure.

This document has been prepared under a mandate given to CEN by the European Commission and the European Free Trade Association, and supports essential requirements of EU Directive(s).

For relationship with EU Directive(s), see informative Annexes ZA and ZB, which are integral parts of this document.

**ITeh STANDARD PREVIEW**  
(standards.itech.ai)  
Full standard:  
<https://standards.itech.ai/catalog/standards/sist/9ed1a177-4dd1b3-46a-8296-57cb9d456c4e/sist-en-474-9-2007-kprA1-2008>

## 1 Modification to the Contents

Add Annex ZB.

## 2 Modification to the Foreword

Replace the fifth paragraph with the following:

"For relationship with EU Directive(s), see informative Annexes ZA and ZB, which are integral parts of this document."

## 3 Modification to Clause 2, Normative references

Replace "ISO/DIS 6393:2004, *Earth-moving machinery — Determination of sound power level noise emissions — Stationary test conditions.*" with "ISO 6393:2008, *Earth-moving machinery - Determination of sound power level - Stationary test conditions*".

Replace "ISO/DIS 6394:2004" with "ISO 6394:2008".

## 4 Modification to 5.5.1, Sound power level

Replace "ISO/DIS 6393:2004" with "ISO 6393:2008".

## 5 Modification to 5.5.2, Emission sound pressure level at operator's station

Replace "ISO/DIS 6394:2004" with "ISO 6394:2008".

## 6 Modification to Annex B

Replace Figure B.4 with the following:

EN 474-9:2006/prA1:2008 (E)

"

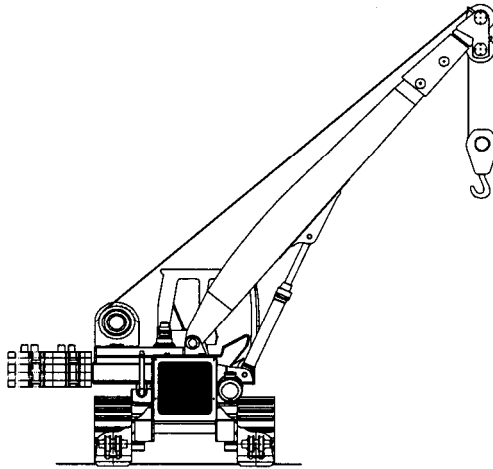


Figure B.4 — Crawler pipelayer with a rotating upper structure"

## 7 Addition of a new Annex ZB

Add the following new Annex ZB:

"

### Annex ZB (informative)

#### Relationship between this European Standard and the Essential Requirements of EU Directive 2006/42/EC

This European Standard has been prepared under a mandate given to CEN by the European Commission and the European Free Trade Association to provide a means of conforming to Essential Requirements of the New Approach Directive 2006/42/EC on machinery.

Once this standard is cited in the Official Journal of the European Communities under that Directive and has been implemented as a national standard in at least one Member State, compliance with the normative clauses of this standard confers, within the limits of the scope of this standard, a presumption of conformity with the relevant Essential Requirements of that Directive and associated EFTA regulations.

**WARNING** — Other requirements and other EU Directives may be applicable to the product(s) falling within the scope of this standard."