



SLOVENSKI STANDARD SIST EN 3660-013:2008

01-julij-2008

5 YfcbUj h_U!`8 cXUh_]nUc_fc[`Y]b`dfUj c_cfbYYY_f] bY]b`cdh] bY`cbY_lcfY!
\$% "XY.`? UYg_Ugdc^_Užhd`5 žfUj bUžbYHgb^YbUžn`XfÿUca `nUgdc^_c`!`GfUbxUfX
nUdfc]nj cX

Aerospace series - Cable outlet accessories for circular and rectangular electrical and optical connectors - Part 013: Cable outlet, style A, straight, unsealed, with cable tie strain relief - Product standard

ITeH STANDARD PREVIEW

Luft- und Raumfahrt - Endgehäuse für elektrische und optische Rund- und Rechtecksteckverbinder - Teil 013: Endgehäuse, Bauform A, gerade, nicht abgedichtet, mit Arm für Kabelbinder - Produktnorm

[SIST EN 3660-013:2008](https://standards.iteh.ai/catalog/standards/sist/1255d718-e1ca-458a-b1c4-3a1000000000/sist-en-3660-013-2008)

<https://standards.iteh.ai/catalog/standards/sist/1255d718-e1ca-458a-b1c4-3a1000000000/sist-en-3660-013-2008>

Série aérospatiale - Accessoires arrière pour connecteurs circulaires et rectangulaires électriques et optiques - Partie 013 : Raccord, type A, droit non étanche, avec tenue du câble par fretage - Norme de produit

Ta slovenski standard je istoveten z: EN 3660-013:2008

ICS:

49.060 Š^c^ \ aš Ā^• [|b \ æ Aerospace electric
^|\ dā} aš] !^ { aš Ā ā c^ { ā equipment and systems

SIST EN 3660-013:2008 en

iTeh STANDARD PREVIEW
(standards.iteh.ai)

SIST EN 3660-013:2008

<https://standards.iteh.ai/catalog/standards/sist/1255d718-e1ca-458a-b1c4-e41bab9f84/sist-en-3660-013-2008>

ICS 49.060

English Version

Aerospace series - Cable outlet accessories for circular and rectangular electrical and optical connectors - Part 013: Cable outlet, style A, straight, unsealed, with cable tie strain relief - Product standard

Série aérospatiale - Accessoires arrière pour connecteurs circulaires et rectangulaires électriques et optiques - Partie 013 : Raccord, type A, droit non étanche, avec tenue du câble par fretage - Norme de produit

Luft- und Raumfahrt - Endgehäuse für elektrische und optische Rund- und Rechtecksteckverbinder - Teil 013: Endgehäuse, Bauform A, gerade, nicht abgedichtet, mit Arm für Kabelbinder - Produktnorm

This European Standard was approved by CEN on 19 January 2008.

CEN members are bound to comply with the CEN/CENELEC Internal Regulations which stipulate the conditions for giving this European Standard the status of a national standard without any alteration. Up-to-date lists and bibliographical references concerning such national standards may be obtained on application to the CEN Management Centre or to any CEN member.

This European Standard exists in three official versions (English, French, German). A version in any other language made by translation under the responsibility of a CEN member into its own language and notified to the CEN Management Centre has the same status as the official versions.

[SIST EN 3660-013:2008](https://standards.iteh.ai/catalog/standards/sist/1255d718-elca-458a-b1c4-47b6d98b-1100-3-2008)

CEN members are the national standards bodies of Austria, Belgium, Bulgaria, Cyprus, Czech Republic, Denmark, Estonia, Finland, France, Germany, Greece, Hungary, Iceland, Ireland, Italy, Latvia, Lithuania, Luxembourg, Malta, Netherlands, Norway, Poland, Portugal, Romania, Slovakia, Slovenia, Spain, Sweden, Switzerland and United Kingdom.



EUROPEAN COMMITTEE FOR STANDARDIZATION
COMITÉ EUROPÉEN DE NORMALISATION
EUROPÄISCHES KOMITEE FÜR NORMUNG

Management Centre: rue de Stassart, 36 B-1050 Brussels

Contents

Page

Foreword.....	3
1 Scope	4
2 Normative references	4
3 Terms and definitions	4
4 Characteristics	4
5 Designation	10
6 Marking	11
7 Technical specification	11

iTeh STANDARD PREVIEW (standards.iteh.ai)

[SIST EN 3660-013:2008](https://standards.iteh.ai/catalog/standards/sist/1255d718-e1ca-458a-b1c4-e41bab9f9f84/sist-en-3660-013-2008)

<https://standards.iteh.ai/catalog/standards/sist/1255d718-e1ca-458a-b1c4-e41bab9f9f84/sist-en-3660-013-2008>

Foreword

This document (EN 3660-013:2008) has been prepared by the Aerospace and Defence Industries Association of Europe - Standardization (ASD-STAN).

After enquiries and votes carried out in accordance with the rules of this Association, this Standard has received the approval of the National Associations and the Official Services of the member countries of ASD, prior to its presentation to CEN.

This European Standard shall be given the status of a national standard, either by publication of an identical text or by endorsement, at the latest by October 2008, and conflicting national standards shall be withdrawn at the latest by October 2008.

Attention is drawn to the possibility that some of the elements of this document may be the subject of patent rights. CEN [and/or CENELEC] shall not be held responsible for identifying any or all such patent rights.

According to the CEN/CENELEC Internal Regulations, the national standards organizations of the following countries are bound to implement this European Standard: Austria, Belgium, Bulgaria, Cyprus, Czech Republic, Denmark, Estonia, Finland, France, Germany, Greece, Hungary, Iceland, Ireland, Italy, Latvia, Lithuania, Luxembourg, Malta, Netherlands, Norway, Poland, Portugal, Romania, Slovakia, Slovenia, Spain, Sweden, Switzerland and the United Kingdom.

ITEH STANDARD PREVIEW
(standards.iteh.ai)

[SIST EN 3660-013:2008](https://standards.iteh.ai/catalog/standards/sist/1255d718-e1ca-458a-b1c4-e41bab99f84/sist-en-3660-013-2008)

<https://standards.iteh.ai/catalog/standards/sist/1255d718-e1ca-458a-b1c4-e41bab99f84/sist-en-3660-013-2008>

1 Scope

This product standard defines a range of cable outlets, style A, for use under the following conditions:

Associated electrical connector(s)	:	EN 3660-002
Temperature range,	Class N	: - 65 °C to 200 °C
	Class W	: - 65 °C to 175 °C

2 Normative references

The following referenced documents are indispensable for the application of this document. For dated references, only the edition cited applies. For undated references, the latest edition of the referenced document (including any amendments) applies.

EN 2591-*, *Aerospace series — Elements of electrical and optical connection — Test methods.*

EN 3660-001, *Aerospace series — Cable outlet accessories for circular and rectangular electrical and optical connectors — Part 001: Technical specification.*

EN 3660-002, *Aerospace series — Cable outlet accessories for circular and rectangular electrical and optical connectors — Part 002: Index of product standards.*

AS85049, *Connector accessories, electrical general specification for.*¹⁾

3 Terms and definitions

For the purposes of this document, the terms and definitions given in EN 3660-001 apply.

4 Characteristics

4.1 Dimensions and mass

For dimensions and mass, see Figure 1, Figure 2 and Table 1.

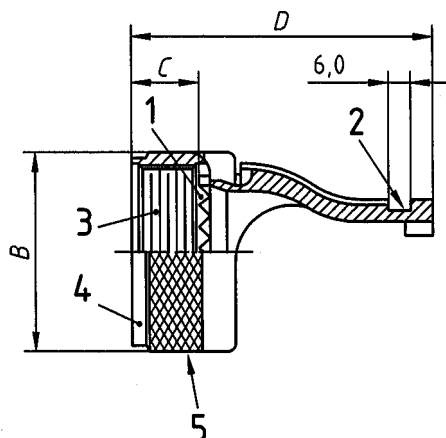
For spacer pad, see Figure 3.

For interface dimensions, see 4.2.

* All its parts quoted.

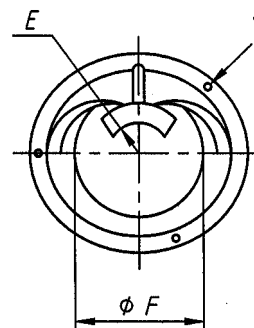
1) Published by: Society of Automotive Engineers, Inc. (SAE), 400 Commonwealth Drive, Warrendale, PA 15096-0001.

All dimensions in millimetres



Key

- 1 Teeth N (see Table 2)
- 2 Area for cable tie or lacing cord
- 3 Thread A
- 4 Marking (see Clause 6)
- 5 Knurled, manufacturer's option



Key

- 1 Three off wire lock holes equi-spaced for 0,8 mm max. diameter wire

Figure 1

Figure 2

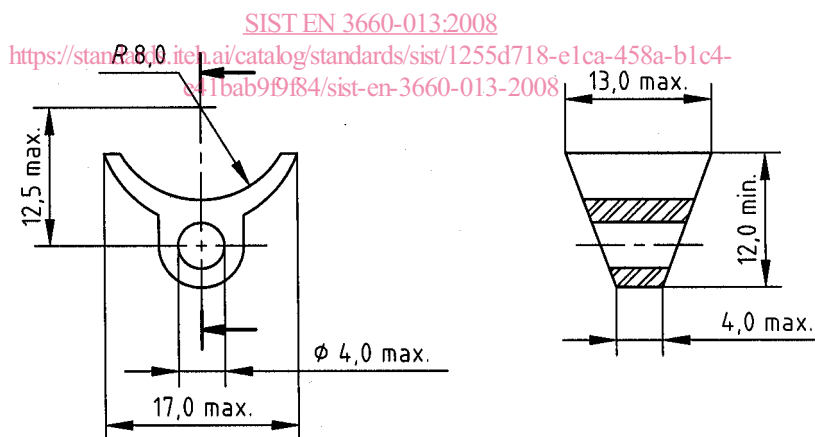


Figure 3 — Spacer pad

Table 1

Shell size	A Thread Class 2B inches	Ø B max. mm	C ^a ± 0,38 mm	D max. mm	E Radius + 0,2 0 mm	Ø F max. mm	Mass max. Classes N and W g	Mass max. Spacer pad g
08	0.4375-28UNEF	16	6,29	30	2,1	6,70	4,5	0,65
10	0.5625-24UNEF	19			2,9	9,95	5,0	
12	0.6875-24UNEF	22		31	3,8	12,85	6,5	
14	0.8125-20UNEF	25		36	4,8	16,02	9,0	
16	0.9375-20UNEF	29			5,7	19,20	10,0	
18	1.0625-18UNEF	31		38	7,1	21,46	11,0	
20	1.1875-18UNEF	35		41		24,63	13,5	
22	1.3125-18UNEF	38		44	7,8	27,80	15,0	
24	1.4375-18UNEF	41		47	8,8	30,90	18,5	

^a "C" dimension is taken when the coupling nut is pulled in forward position.

iTeh STANDARD PREVIEW (standards.iteh.ai)

4.2 Interface dimensions

4.2.1 Associated connector

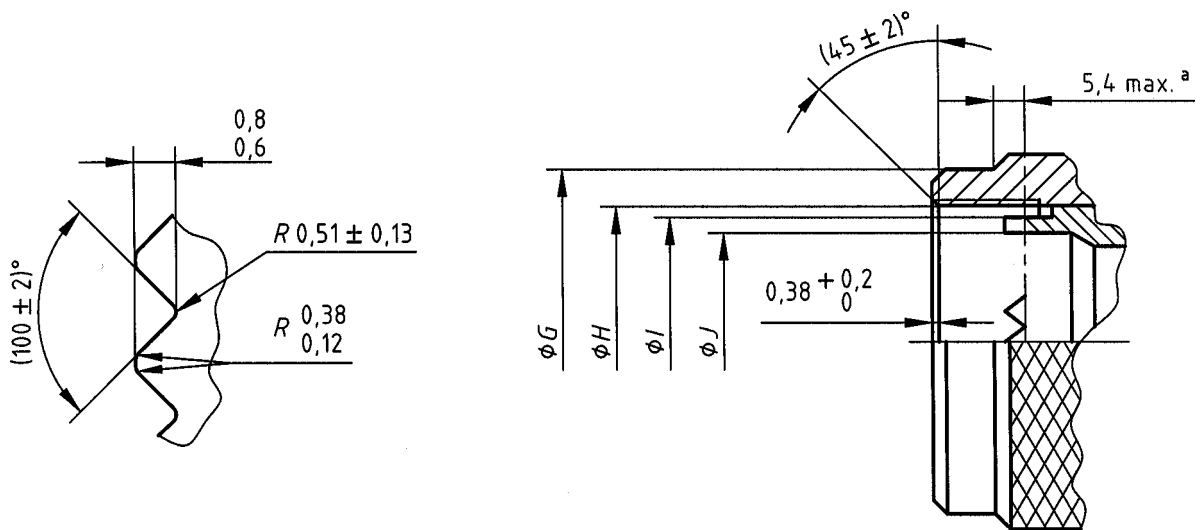
See EN 3660-002.

[SIST EN 3660-013:2008
https://standards.iteh.ai/catalog/standards/sist/1255d718-e1ca-458a-b1c4-e41bab9f9f84/sist-en-3660-013-2008](https://standards.iteh.ai/catalog/standards/sist/1255d718-e1ca-458a-b1c4-e41bab9f9f84/sist-en-3660-013-2008)

4.2.2 Standard AS85049 interface

See Figure 4, Figure 5 and Table 2.

All dimensions in millimetres



^a After max. 5,4 mm from the root of the teeth, the cable outlet's coupling nut must conform to the G diameter.

Figure 4 Figure 5

STANDARD PREVIEW
(standardsiteh.ai)
Table 2

Shell size	$\varnothing G$	$\varnothing H$	$\varnothing I$		$\varnothing J$		N Number of teeth
	max. mm	max. mm	min.	max.	min.	max.	
08	15,20	10,26	9,7	10,01	7,59	8,80	12
10	18,40	13,36	12,9	13,16	10,85	12,00	16
12	21,60	16,54	15,8	16,33	13,79	14,94	20
14	24,80	19,51	19,0	19,30	16,92	18,06	24
16	28,00	22,68	22,1	22,48	20,09	21,23	28
18	31,00	25,58	24,9	25,30	22,78	23,93	32
20	34,20	28,88	28,0	28,68	25,96	27,10	36
22	37,40	31,93	31,2	31,65	29,13	30,26	40
24	40,60	35,10	34,4	34,82	32,21	33,34	44

4.3 Material and finish

Cable outlet: Material/Finish Class N : Aluminium/Electroless nickel
Material/Finish Class W : Aluminium/Olive drab cadmium plate

Spacer: Fluorosilicone, colour green