



SLOVENSKI STANDARD SIST EN 4640-004:2008

01-september-2008

5 YfcbUj h U! ?cbY hcf 1žcdh b]ždfUj c ch]žg'ghc Uca 'jb'd'cy cžj Y cbhU hb]žg
dfYa Yfca ' Ud]W%& žg'gbYa 'lj c Wbhf]fbc'di yc'!\$\$("XY.'G`cdb] #Gdc'b]
cdh] bY[U cbhY hcf U! GhUbXUX'nUdfc]nj cX

Aerospace series - Connectors, optical, rectangular, rack and panel, multicontact, 1,25 diameter ferrule, with removable alignment sleeve holder - Part 004: Receptacle optical connector - Product standard

ITh STANDARD PREVIEW

(standards.iteh.ai)

Luft- und Raumfahrt - Optischer Rechtecksteckverbinder, Gehäuse, Einschub, Steckverbinder, Multipin, Ferrulendurchmesser 1,25 mm, demontierbarer Zentrierhülsenhalter - Teil 004: Optischer Kuppler - Produktnorm

<https://standards.iteh.ai/standards/EN/4640-004:2008>
58b6a7d4aa78/sist-en-4640-004-2008

Série aérospatiale - Connecteurs, optiques, rectangulraies, à contacts mutiples, rackales, ferrule diamètre 1,25, équipés d'un porte sleeve démontable - Partie 004: Embase de connecteur optique - Norme de produit

Ta slovenski standard je istoveten z: EN 4640-004:2008

ICS:

49.060 Šca\ aš Á^• [|b\ æ Aerospace electric
^|\ dā} aš] |^ { aš Áã c { ã equipment and systems

SIST EN 4640-004:2008

en

iTeh STANDARD PREVIEW
(standards.iteh.ai)

[SIST EN 4640-004:2008](https://standards.iteh.ai/catalog/standards/sist/3366eb6e-2314-48e6-b308-58b6a7d4aa78/sist-en-4640-004-2008)

<https://standards.iteh.ai/catalog/standards/sist/3366eb6e-2314-48e6-b308-58b6a7d4aa78/sist-en-4640-004-2008>

EUROPEAN STANDARD
NORME EUROPÉENNE
EUROPÄISCHE NORM

EN 4640-004

May 2008

ICS 49.060

English Version

Aerospace series - Connectors, optical, rectangular, rack and panel, multicontact, 1,25 diameter ferrule, with removable alignment sleeve holder - Part 004: Receptacle optical connector - Product standard

Série aérospatiale - Connecteurs, optiques, rectangulaires, à contacts multiples, rackables, ferrule diamètre 1,25, équipés d'un porte sleeve démontable - Partie 004: Embase de connecteur optique - Norme de produit

Luft- und Raumfahrt - Optischer Rechtecksteckverbinder, Gehäuse, Einschub, Steckverbinder, Multipin, Ferrulendurchmesser 1,25 mm, demontierbarer Zentrierhülsenhafter - Teil 004: Optischer Kuppler - Produktnorm

This European Standard was approved by CEN on 14 March 2008.

CEN members are bound to comply with the CEN/CENELEC Internal Regulations which stipulate the conditions for giving this European Standard the status of a national standard without any alteration. Up-to-date lists and bibliographical references concerning such national standards may be obtained on application to the CEN Management Centre or to any CEN member.

This European Standard exists in three official versions (English, French, German). A version in any other language made by translation under the responsibility of a CEN member into its own language and notified to the CEN Management Centre has the same status as the official versions.

<https://standards.iteh.ai/catalog/standards/sist/3366eb6e-2314-48e6-b308-5816e371a578/sist/4640-004:2008>

CEN members are the national standards bodies of Austria, Belgium, Bulgaria, Cyprus, Czech Republic, Denmark, Estonia, Finland, France, Germany, Greece, Hungary, Iceland, Ireland, Italy, Latvia, Lithuania, Luxembourg, Malta, Netherlands, Norway, Poland, Portugal, Romania, Slovakia, Slovenia, Spain, Sweden, Switzerland and United Kingdom.



EUROPEAN COMMITTEE FOR STANDARDIZATION
COMITÉ EUROPÉEN DE NORMALISATION
EUROPÄISCHES KOMITEE FÜR NORMUNG

Management Centre: rue de Stassart, 36 B-1050 Brussels

Contents		Page
Foreword.....		3
1	Scope	4
2	Normative references	4
3	Terms and definitions	4
4	Required characteristics	4
5	Arrangement designation	7
6	Sleeve holder designation	7
7	Marking	7
8	Technical specification	7

iTeh STANDARD PREVIEW
(standards.iteh.ai)

[SIST EN 4640-004:2008](https://standards.iteh.ai/catalog/standards/sist/3366eb6e-2314-48e6-b308-58b6a7d4aa78/sist-en-4640-004-2008)

<https://standards.iteh.ai/catalog/standards/sist/3366eb6e-2314-48e6-b308-58b6a7d4aa78/sist-en-4640-004-2008>

Foreword

This document (EN 4640-004:2008) has been prepared by the Aerospace and Defence Industries Association of Europe - Standardization (ASD-STAN).

After enquiries and votes carried out in accordance with the rules of this Association, this Standard has received the approval of the National Associations and the Official Services of the member countries of ASD, prior to its presentation to CEN.

This European Standard shall be given the status of a national standard, either by publication of an identical text or by endorsement, at the latest by November 2008, and conflicting national standards shall be withdrawn at the latest by November 2008.

Attention is drawn to the possibility that some of the elements of this document may be the subject of patent rights. CEN [and/or CENELEC] shall not be held responsible for identifying any or all such patent rights.

According to the CEN/CENELEC Internal Regulations, the national standards organizations of the following countries are bound to implement this European Standard: Austria, Belgium, Bulgaria, Cyprus, Czech Republic, Denmark, Estonia, Finland, France, Germany, Greece, Hungary, Iceland, Ireland, Italy, Latvia, Lithuania, Luxembourg, Malta, Netherlands, Norway, Poland, Portugal, Romania, Slovakia, Slovenia, Spain, Sweden, Switzerland and the United Kingdom.

ITEH STANDARD PREVIEW
(standards.iteh.ai)

[SIST EN 4640-004:2008](https://standards.iteh.ai/catalog/standards/sist/3366eb6e-2314-48e6-b308-58b6a7d4aa78/sist-en-4640-004-2008)

<https://standards.iteh.ai/catalog/standards/sist/3366eb6e-2314-48e6-b308-58b6a7d4aa78/sist-en-4640-004-2008>

EN 4640-004:2008 (E)**1 Scope**

This standard specifies the characteristics of a receptacle optical connector, rack and panel, multicontact.

2 Normative references

The following referenced documents are indispensable for the application of this document. For dated references, only the edition cited applies. For undated references, the latest edition of the referenced document (including any amendments) applies.

EN 2424, *Aerospace series — Marking of aerospace products.*

EN 4640-001, *Aerospace series — Connectors, optical, rectangular, rack and panel, multicontact, 1,25 diameter ferrule, with removable alignment sleeve holder — Part 001: Technical specification.*¹⁾

EN 4640-002, *Aerospace series — Connectors, optical, rectangular, rack and panel, multicontact, 1,25 diameter ferrule, with removable alignment sleeve holder — Part 002: List of product standards.*¹⁾

ARINC Specification 600, *Air Transport Avionics Equipment Interfaces.*²⁾

3 Terms and definitions

For the purposes of this document, the terms and definitions given in EN 4640-001 apply.

ITeC STANDARD PREVIEW
(standards.iteh.ai)

4 Required characteristics**4.1 General**

[SIST EN 4640-004:2008
https://standards.iteh.ai/catalog/standards/sist/3366eb6e-2314-48e6-b308-58b6a7d4aa78/sist-en-4640-004-2008](https://standards.iteh.ai/catalog/standards/sist/3366eb6e-2314-48e6-b308-58b6a7d4aa78/sist-en-4640-004-2008)

The female insert for receptacle connector is composed of an insert and a removable sleeve holder as specified as follow.

The sleeve holder is delivered with the female insert. It is considered as a part of the female insert (specific design per manufacturer).

The sleeve holder can be supplied separately only for repair purpose.

4.2 Dimensions**4.2.1 Receptacle connector interface: Outer dimensions**

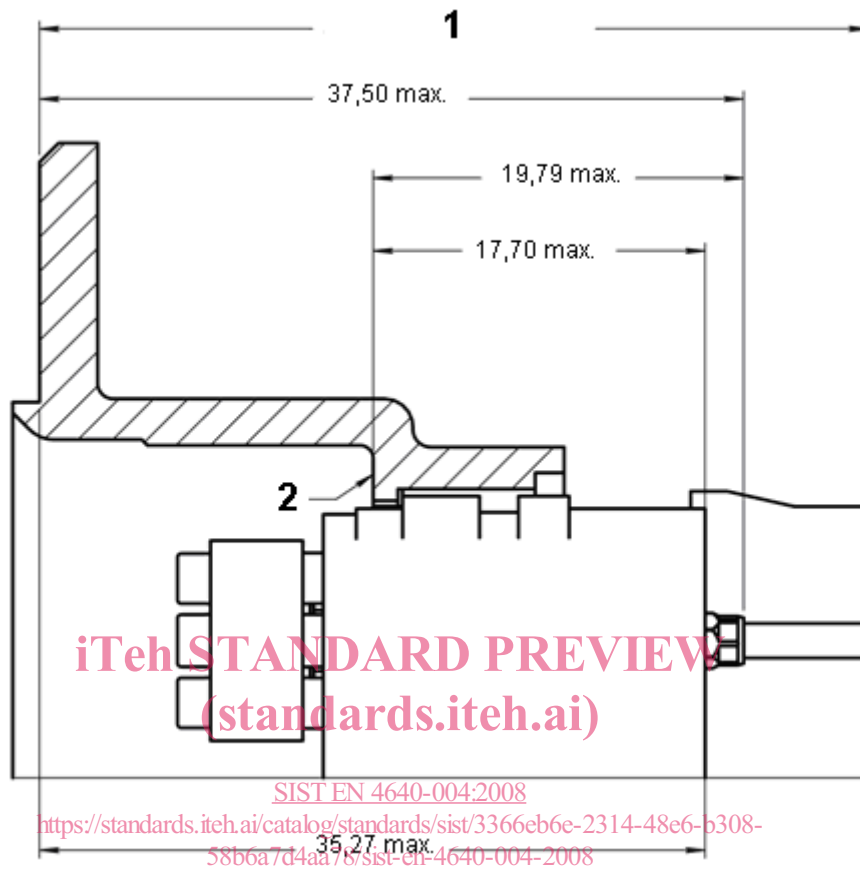
See ARINC Specification 600.

1) Published as ASD Prestandard at the date of publication of this standard.

2) Published by: AERONAUTICAL RADIO, INC. 2551 Riva road, Annapolis, Maryland 21401-7435 USA.

4.2.2 Rectangular connector interface insert: Optical contact position

See Figure 1.



Key

- 1 44 max. with grommet
- 2 Mechanical bottom of the receptacle

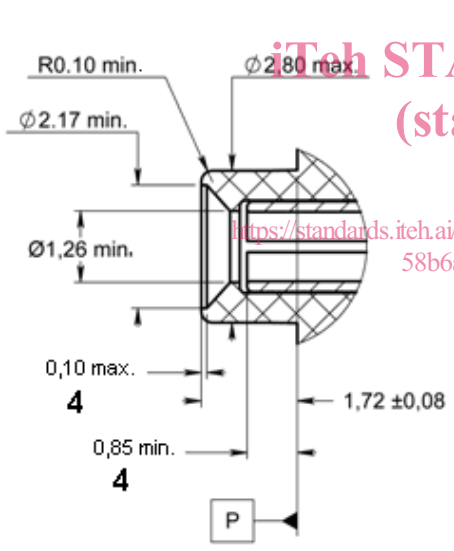
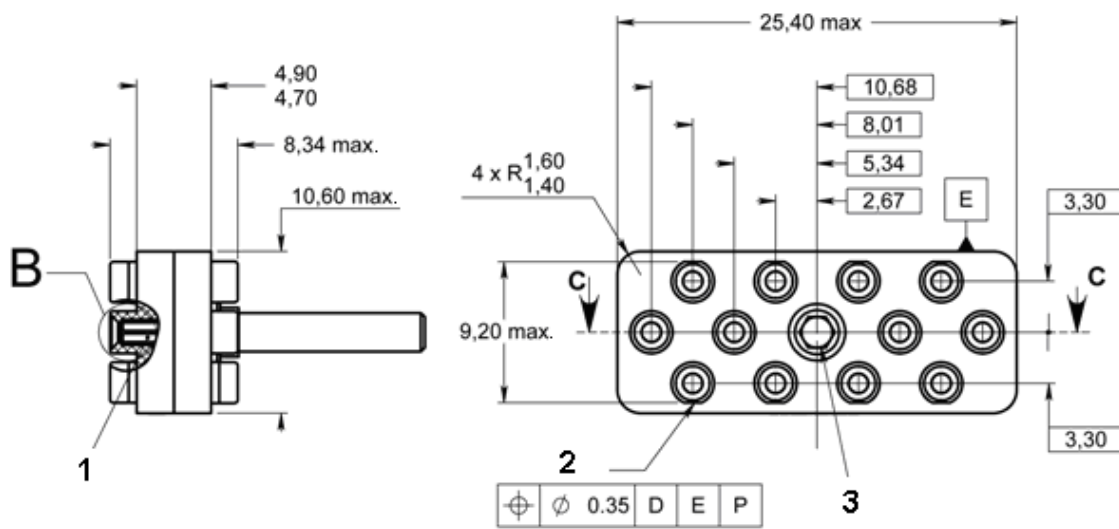
NOTE Other dimensions in accordance with ARINC Specification 600.

Figure 1 — Optical contact position

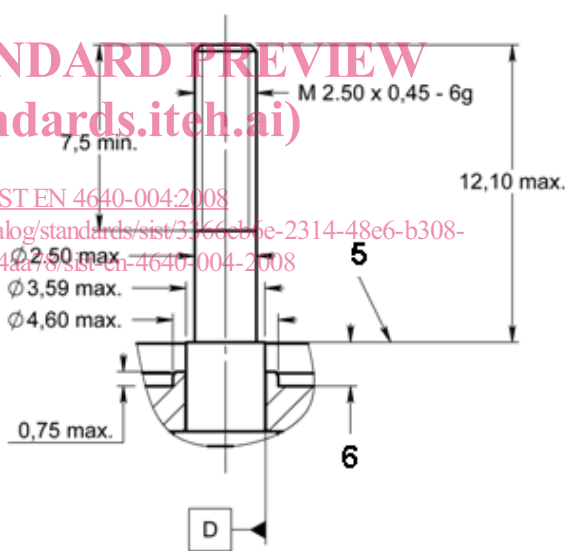
EN 4640-004:2008 (E)

4.2.3 Removable alignment sleeve holder

See Figure 2.



View B
12 identical cavities
on both side



Detail of the central screw

Key

- | | |
|---------------------------|----------------------------------|
| 1 Alignment sleeve | 4 Both side |
| 2 12 cavities | 5 Module limit stop |
| 3 5/64 Hex. captive screw | 6 Floating movement 0,98 to 1,30 |

Figure 2

4.3 Material and surface treatment

See ARINC Specification 600.