



SLOVENSKI STANDARD
SIST ISO 7241-2:2001

01-december-2001

Fluidna tehnika - Hidravlika - Hitre spojke - 2. del: Postopki preskušanja

Hydraulic fluid power -- Quick-action couplings -- Part 2: Test methods

Transmissions hydrauliques -- Raccords rapides -- Partie 2: Méthodes d'essai

Ta slovenski standard je istoveten z: ISO 7241-2:2000

[SIST ISO 7241-2:2001](https://standards.iteh.ai/catalog/standards/sist/ab1ec94d-c5b0-4796-981e-a04955be6ee5/sist-iso-7241-2-2001)

<https://standards.iteh.ai/catalog/standards/sist/ab1ec94d-c5b0-4796-981e-a04955be6ee5/sist-iso-7241-2-2001>

ICS:

23.100.40 Cevna napeljava in sklopke Piping and couplings

SIST ISO 7241-2:2001

en

iTeh STANDARD PREVIEW
(standards.iteh.ai)

SIST ISO 7241-2:2001

<https://standards.iteh.ai/catalog/standards/sist/ab1ec94d-c5b0-4796-981e-a04955be6ee5/sist-iso-7241-2-2001>

INTERNATIONAL STANDARD

ISO
7241-2

Second edition
2000-03-15

Hydraulic fluid power — Quick-action couplings —

Part 2: Test methods

Transmissions hydrauliques — Raccords rapides —
Partie 2: Méthodes d'essai
(standards.iteh.ai)

SIST ISO 7241-2:2001

<https://standards.iteh.ai/catalog/standards/sist/ab1ec94d-c5b0-4796-981e-a04955be6ee5/sist-iso-7241-2-2001>



Reference number
ISO 7241-2:2000(E)

© ISO 2000

ISO 7241-2:2000(E)

PDF disclaimer

This PDF file may contain embedded typefaces. In accordance with Adobe's licensing policy, this file may be printed or viewed but shall not be edited unless the typefaces which are embedded are licensed to and installed on the computer performing the editing. In downloading this file, parties accept therein the responsibility of not infringing Adobe's licensing policy. The ISO Central Secretariat accepts no liability in this area.

Adobe is a trademark of Adobe Systems Incorporated.

Details of the software products used to create this PDF file can be found in the General Info relative to the file; the PDF-creation parameters were optimized for printing. Every care has been taken to ensure that the file is suitable for use by ISO member bodies. In the unlikely event that a problem relating to it is found, please inform the Central Secretariat at the address given below.

iTeh STANDARD PREVIEW (standards.iteh.ai)

[SIST ISO 7241-2:2001](https://standards.iteh.ai/catalog/standards/sist/ab1ec94d-c5b0-4796-981e-a04955be6ee5/sist-iso-7241-2-2001)

<https://standards.iteh.ai/catalog/standards/sist/ab1ec94d-c5b0-4796-981e-a04955be6ee5/sist-iso-7241-2-2001>

© ISO 2000

All rights reserved. Unless otherwise specified, no part of this publication may be reproduced or utilized in any form or by any means, electronic or mechanical, including photocopying and microfilm, without permission in writing from either ISO at the address below or ISO's member body in the country of the requester.

ISO copyright office
Case postale 56 • CH-1211 Geneva 20
Tel. + 41 22 749 01 11
Fax + 41 22 734 10 79
E-mail copyright@iso.ch
Web www.iso.ch

Printed in Switzerland

Contents

	Page
Foreword.....	v
Introduction	vi
1 Scope	1
2 Normative references	1
3 Terms and definitions	1
4 Selection and examination of test samples	2
5 Test apparatus	2
6 Test conditions	2
7 Connect force test	2
8 Disconnect force test	2
9 Leakage test	3
9.1 Low pressure, coupled.....	3
9.2 Low pressure, uncoupled (valved only)	4
9.3 Maximum operating pressure, coupled.....	5
9.4 Maximum operating pressure, uncoupled (valved only).....	5
10 Extreme temperature test	5
10.1 Maximum operating temperature exposure, coupled.....	5
10.2 Maximum operating temperature exposure, uncoupled (valved only)	5
10.3 Maximum operating temperature service, coupled.....	5
10.4 Maximum operating temperature service, uncoupled (valved only).....	6
10.5 Minimum operating temperature, coupled.....	6
10.6 Minimum operating temperature, uncoupled (valved only)	6
11 Pressure impulse test	6
11.1 Test coupling.....	6
11.2 Coupled test	6
11.3 Uncoupled test (valved only).....	7
12 Rotating impulse test	7
13 Endurance test	7
14 Pressure drop test	8
15 Vacuum test.....	9
15.1 Coupled test	9
15.2 Uncoupled test (valved only).....	11
16 Air inclusion test.....	11
17 Spillage test.....	11
18 Static pressure test	13
18.1 Coupled.....	13
18.2 Uncoupled (valved type only).....	14
19 Surge flow test — long duration	14
20 Surge flow test – short duration.....	14
21 Burst test	16
21.1 Safety precautions.....	16

ISO 7241-2:2000(E)

21.2	Burst pressure, uncoupled (valved type only).....	16
21.3	Burst pressure, coupled.....	16
22	Data accuracy.....	16
23	Test report and data presentation.....	16
24	Summary of information to be supplied.....	16
25	Test/production similarity.....	17
26	Identification statement (Reference to this part of ISO 7241)	17
Annex A (normative) Test data form		18

iTeh STANDARD PREVIEW
(standards.iteh.ai)

SIST ISO 7241-2:2001

<https://standards.iteh.ai/catalog/standards/sist/ab1ec94d-c5b0-4796-981e-a04955be6ee5/sist-iso-7241-2-2001>

Foreword

ISO (the International Organization for Standardization) is a worldwide federation of national standards bodies (ISO member bodies). The work of preparing International Standards is normally carried out through ISO technical committees. Each member body interested in a subject for which a technical committee has been established has the right to be represented on that committee. International organizations, governmental and non-governmental, in liaison with ISO, also take part in the work. ISO collaborates closely with the International Electrotechnical Commission (IEC) on all matters of electrotechnical standardization.

International Standards are drafted in accordance with the rules given in the ISO/IEC Directives, Part 3.

Draft International Standards adopted by the technical committees are circulated to the member bodies for voting. Publication as an International Standard requires approval by at least 75 % of the member bodies casting a vote.

Attention is drawn to the possibility that some of the elements of this part of ISO 7241 may be the subject of patent rights. ISO shall not be held responsible for identifying any or all such patent rights.

International Standard ISO 7241-2 was prepared by Technical Committee ISO/TC 131, *Fluid power systems*, Subcommittee SC 4, *Connectors and similar products and components*.

This second edition cancels and replaces the first edition (ISO 7241-2:1986), which has been technically revised.

ISO 7241 consists of the following parts, under the general title *Hydraulic fluid power — Quick-action couplings*:

- *Part 1: Dimensions and requirements* [SIST ISO 7241-2:2001](https://standards.iteh.ai/catalog/standards/sist/ab1ec94d-c5b0-4796-981e-a04955be6ee5/sist-iso-7241-2-2001)
- *Part 2: Test methods* <https://standards.iteh.ai/catalog/standards/sist/ab1ec94d-c5b0-4796-981e-a04955be6ee5/sist-iso-7241-2-2001>

Annex A forms a normative part of this part of ISO 7241.

Introduction

In hydraulic fluid power systems, power is transmitted and controlled through a liquid under pressure within an enclosed circuit. Quick-action couplings are used to quickly join or separate fluid conductors, without the use of tools or special devices.

iTeh STANDARD PREVIEW (standards.iteh.ai)

[SIST ISO 7241-2:2001](https://standards.iteh.ai/catalog/standards/sist/ab1ec94d-c5b0-4796-981e-a04955be6ee5/sist-iso-7241-2-2001)

<https://standards.iteh.ai/catalog/standards/sist/ab1ec94d-c5b0-4796-981e-a04955be6ee5/sist-iso-7241-2-2001>

Hydraulic fluid power — Quick-action couplings —

Part 2: Test methods

1 Scope

This part of ISO 7241 specifies different test methods which could be applied to quick-action couplings.

NOTE Users of this part ISO 7241 may select only the tests applicable to their needs. It is not intended that all tests be carried out for every application.

This part of ISO 7241 is applicable to male and female coupling halves, complete couplings, couplings with and without sealing means when uncoupled, and couplings that are connected and disconnected by a linear and/or rotational motion.

iTeh STANDARD PREVIEW (standards.iteh.ai)

2 Normative references

The following normative documents contain provisions which, through reference in this text, constitute provisions of this part of ISO 7241. For dated references, subsequent amendments to, or revisions of, any of these publications do not apply. However, parties to agreements based on this part of ISO 7241 are encouraged to investigate the possibility of applying the most recent editions of the normative documents indicated below. For undated references, the latest edition of the normative document referred to applies. Members of ISO and IEC maintain registers of currently valid International Standards.

ISO 3448, *Industrial liquid lubricants — ISO viscosity classification.*

ISO 4397, *Fluid power systems and components — Connectors and associated components — Nominal outside diameters of tubes and nominal inside diameters of hoses.*

ISO 4411, *Hydraulic fluid power — Valves — Determination of pressure differential/flow characteristics.*

ISO 5598, *Fluid power systems and components — Vocabulary.*

ISO 6803, *Rubber or plastics hoses and hose assemblies — Hydraulic-pressure impulse test without flexing.*

ISO 7241-1, *Hydraulic fluid power — Quick-action couplings — Part 1: Dimensions and requirements.*

3 Terms and definitions

For the purposes of this part of ISO 7241, the terms and definitions given in ISO 5598 and the following apply.

3.1

coupling size designation

designation that refers to the nominal inside diameter of the hose, in accordance with ISO 4397, that is recommended for use with the coupling

ISO 7241-2:2000(E)**4 Selection and examination of test samples**

Coupling assemblies selected shall constitute a representative sample of a production lot in all respects: design, material, surface treatment, process, etc.

5 Test apparatus

- 5.1 The apparatus shown in Figures 1 to 7 shall be used.
- 5.2 Apparatus capable of providing test result data accuracy in accordance with clause 22 shall be used.

6 Test conditions

- 6.1 Tests shall be carried out at an ambient temperature of 20 °C to 35 °C, unless otherwise specified.
- 6.2 Tests shall be carried out using a fluid of ISO VG 32, in accordance with ISO 3448 (i.e. having a viscosity of 28,8 mm²/s to 35,2 mm²/s at 40 °C).

7 Connect force test

7.1 Lubricate the coupling interfaces with the test fluid. Insert the coupling in a test fixture. Maintain the internal test pressure, i.e. the maximum internal pressure as specified in ISO 7241-1.

7.2 Apply a linear force and/or torque to the coupling half until complete connection occurs.

NOTE During this operation, the locking mechanism may be operated manually, if necessary, to permit normal coupling of the halves.

<https://standards.iteh.ai/catalog/standards/sist/ab1ec94d-c5b0-4796-981e-a04955be6ee5/sist-iso-7241-2-2001>

7.3 Measure the connecting force and/or torque, as appropriate.

7.4 Repeat the test a total of five times on the same test coupling. Average the results of the five tests to determine the connect force or torque. Report the average connect force or torque in the test report.

7.5 Report any conditions of damage or malfunction in the test report.

8 Disconnect force test

8.1 Lubricate the coupling interfaces with the test fluid. Insert the coupling in a test fixture. Maintain the internal test pressure, i.e. the maximum operating pressure specified in ISO 7241-1, and/or the prevailing flow conditions.

8.2 Apply linear force and/or torque to the retaining mechanism of the coupling until disconnection occurs. Measure the disconnect force and/or torque.

8.3 Repeat the test for five disconnections on the same test coupling. Average the test results of the five tests to determine the disconnect force and/or torque. Report the average of the results in the test report.

8.4 Report any condition of damage or malfunction in the test report.

9 Leakage test

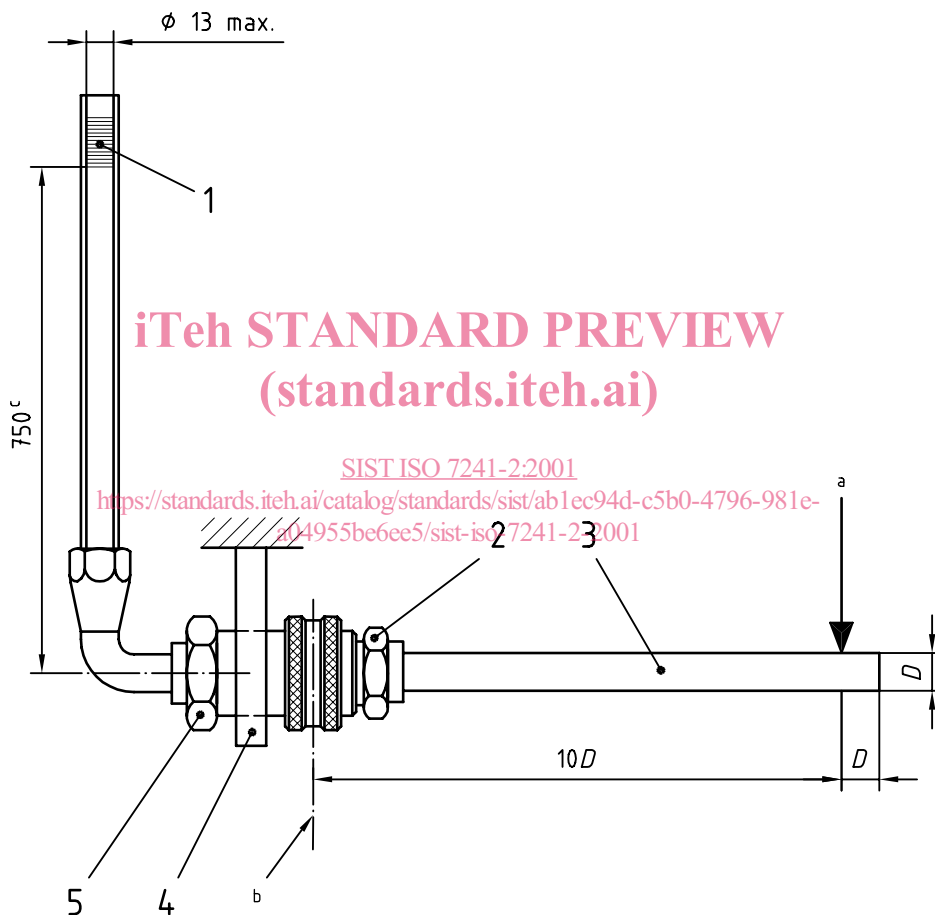
9.1 Low pressure, coupled

9.1.1 Insert the coupling assembly in a test apparatus. Fill the test apparatus with test fluid (see 6.2) to a fluid column height of 750 mm. Apply a 50 N load perpendicular to the coupling centreline at a distance of $10D$ from the axis of the gauge balls of the locking device (see Figure 1), where D equals the nominal inside diameter of the hose, in accordance with ISO 4397, that is recommended for use with the coupling.

9.1.2 Measure the drop in column height over a minimum test period of 30 min. Calculate the leakage rate in millilitres per hour.

9.1.3 Report the leakage rate in the test report.

Dimensions in millimetres



D = nominal size of the coupling, in millimetres

Key

- 1 Column with top portion graduated for measurement
- 2 Male coupling half
- 3 Steel rod connected to the male coupling half not held in the fixture
- 4 Fixture to hold the female coupling half
- 5 Female coupling half

- a 50 N load perpendicular to coupling centreline
- b Centreline of locking device
- c Fluid column height

Figure 1 — Low-pressure leakage test apparatus (coupled)

ISO 7241-2:2000(E)

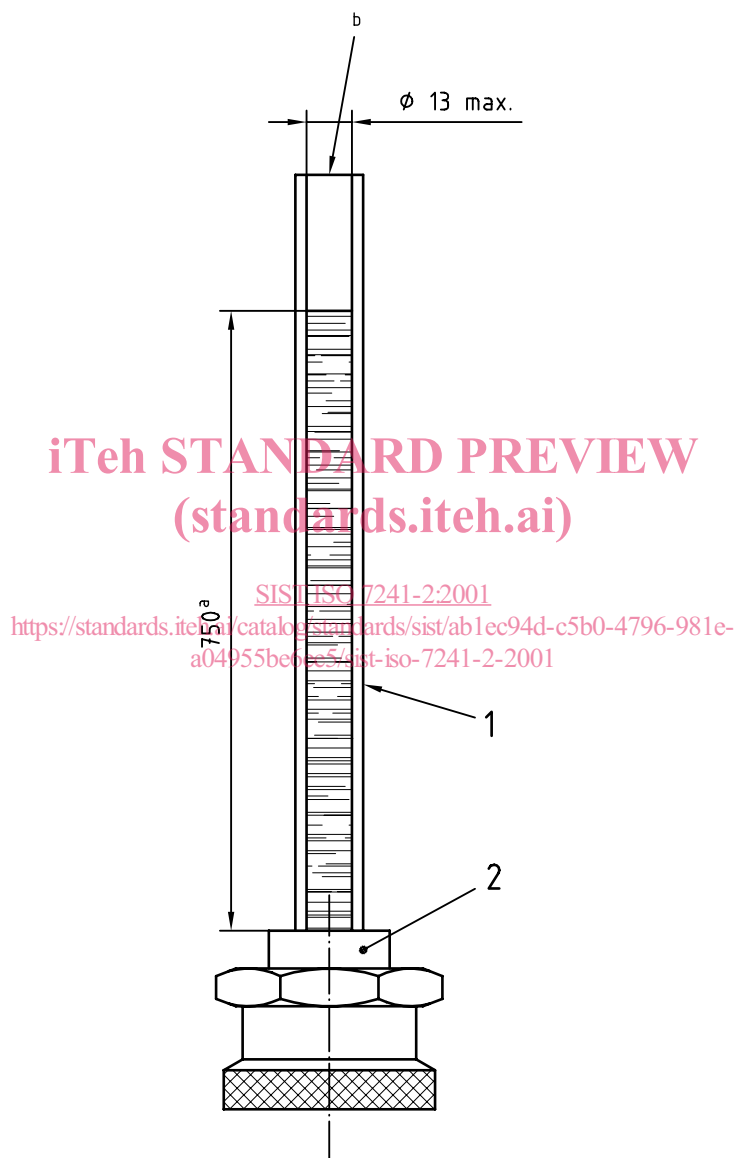
9.2 Low pressure, uncoupled (valved only)

9.2.1 Insert each coupling half in a test apparatus. Fill the test apparatus with test fluid (see 6.2) to a fluid column height of 750 mm (see Figure 2).

9.2.2 Measure the drop in column height over a test period of 30 min. Calculate the leakage rate in millilitres per hour.

9.2.3 Report the leakage rate in the test report.

Dimensions in millimetres



Key

- 1 Column with top portion graduated for measurement
- 2 Coupling half (male or female half) test component

- a Fluid column height
b Open top

Figure 2 — Low-pressure leakage test apparatus (uncoupled half)