



SLOVENSKI STANDARD SIST ISO 16028:2001

01-december-2001

:`i]XbUHM b]_U!`<]XfUj`]_U!` Ybc`hYgb^YbY\ JhY`gdc^_Y`nUhU_Y`cX`&\$`A DUfB\$\$
VUfLXc` ` %a` A DUfi %a` VUfL!`GdYWZ_UWY

Hydraulic fluid power -- Flush-face type, quick-action couplings for use at pressures of 20 MPa (200 bar) to 31,5 MPa (315 bar) -- Specifications

iTeh STANDARD PREVIEW

Transmissions hydrauliques -- Raccords rapides de type à face plane pour usage à des pressions de 20 MPa (200 bar) à 31,5 MPa (315 bar) -- Spécifications

[SIST ISO 16028:2001](https://standards.iteh.ai/catalog/standards/sist/58a5bd83-15c6-41d7-96c0-0297ad10c725/sist-iso-16028-2001)

Ta slovenski standard je istoveten z: [ISO 16028:1999](https://standards.iteh.ai/catalog/standards/sist/58a5bd83-15c6-41d7-96c0-0297ad10c725/sist-iso-16028-2001)

ICS:

23.100.40 Cevna napeljava in sklopke Piping and couplings

SIST ISO 16028:2001

en

iTeh STANDARD PREVIEW
(standards.iteh.ai)

SIST ISO 16028:2001

<https://standards.iteh.ai/catalog/standards/sist/58a5bd83-15c6-41d7-96c0-0297aa10c725/sist-iso-16028-2001>

INTERNATIONAL STANDARD

ISO 16028

First edition
1999-12-15

Hydraulic fluid power — Flush-face type, quick-action couplings for use at pressures of 20 MPa (200 bar) to 31,5 MPa (315 bar) — Specifications

*Transmissions hydrauliques — Raccords rapides de type à face plane pour
usage à des pressions de 20 MPa (200 bar) à 31,5 MPa (315 bar) —
Spécifications*

iTeh STANDARD PREVIEW
(standards.iteh.ai)

[SIST ISO 16028:2001](https://standards.iteh.ai/catalog/standards/sist/58a5bd83-15c6-41d7-96c0-0297aa10c725/sist-iso-16028-2001)

<https://standards.iteh.ai/catalog/standards/sist/58a5bd83-15c6-41d7-96c0-0297aa10c725/sist-iso-16028-2001>



Reference number
ISO 16028:1999(E)

© ISO 1999

ISO 16028:1999(E)**PDF disclaimer**

This PDF file may contain embedded typefaces. In accordance with Adobe's licensing policy, this file may be printed or viewed but shall not be edited unless the typefaces which are embedded are licensed to and installed on the computer performing the editing. In downloading this file, parties accept therein the responsibility of not infringing Adobe's licensing policy. The ISO Central Secretariat accepts no liability in this area.

Adobe is a trademark of Adobe Systems Incorporated.

Details of the software products used to create this PDF file can be found in the General Info relative to the file; the PDF-creation parameters were optimized for printing. Every care has been taken to ensure that the file is suitable for use by ISO member bodies. In the unlikely event that a problem relating to it is found, please inform the Central Secretariat at the address given below.

iTeh STANDARD PREVIEW (standards.iteh.ai)

[SIST ISO 16028:2001](https://standards.iteh.ai/catalog/standards/sist/58a5bd83-15c6-41d7-96c0-0297aa10c725/sist-iso-16028-2001)

<https://standards.iteh.ai/catalog/standards/sist/58a5bd83-15c6-41d7-96c0-0297aa10c725/sist-iso-16028-2001>

© ISO 1999

All rights reserved. Unless otherwise specified, no part of this publication may be reproduced or utilized in any form or by any means, electronic or mechanical, including photocopying and microfilm, without permission in writing from either ISO at the address below or ISO's member body in the country of the requester.

ISO copyright office
Case postale 56 • CH-1211 Geneva 20
Tel. + 41 22 749 01 11
Fax + 41 22 734 10 79
E-mail copyright@iso.ch
Web www.iso.ch

Printed in Switzerland

Foreword

ISO (the International Organization for Standardization) is a worldwide federation of national standards bodies (ISO member bodies). The work of preparing International Standards is normally carried out through ISO technical committees. Each member body interested in a subject for which a technical committee has been established has the right to be represented on that committee. International organizations, governmental and non-governmental, in liaison with ISO, also take part in the work. ISO collaborates closely with the International Electrotechnical Commission (IEC) on all matters of electrotechnical standardization.

International Standards are drafted in accordance with the rules given in the ISO/IEC Directives, Part 3.

Draft International Standards adopted by the technical committees are circulated to the member bodies for voting. Publication as an International Standard requires approval by at least 75 % of the member bodies casting a vote.

Attention is drawn to the possibility that some of the elements of this International Standard may be the subject of patent rights. ISO shall not be held responsible for identifying any or all such patent rights.

International Standard ISO 16028 was prepared by Technical Committee ISO/TC 131, *Fluid power systems*, Subcommittee SC 4, *Connectors and similar products and components*.

iTeh STANDARD PREVIEW (standards.iteh.ai)

[SIST ISO 16028:2001](https://standards.iteh.ai/catalog/standards/sist/58a5bd83-15c6-41d7-96c0-0297aa10c725/sist-iso-16028-2001)

<https://standards.iteh.ai/catalog/standards/sist/58a5bd83-15c6-41d7-96c0-0297aa10c725/sist-iso-16028-2001>

ISO 16028:1999(E)

Introduction

In hydraulic fluid power systems, power is transmitted and controlled through a liquid under pressure within an enclosed circuit. Quick-action couplings are used to join or separate quickly fluid conductor lines, without the use of tools or special devices.

iTeh STANDARD PREVIEW (standards.iteh.ai)

[SIST ISO 16028:2001](https://standards.iteh.ai/catalog/standards/sist/58a5bd83-15c6-41d7-96c0-0297aa10c725/sist-iso-16028-2001)

<https://standards.iteh.ai/catalog/standards/sist/58a5bd83-15c6-41d7-96c0-0297aa10c725/sist-iso-16028-2001>

Hydraulic fluid power — Flush-face type, quick-action couplings for use at pressures of 20 MPa (200 bar) to 31,5 MPa (315 bar) — Specifications

1 Scope

This International Standard specifies the interface dimensions for interchangeability and specifies the performance requirements for hydraulic, flush-face type, quick-action couplings for use at pressures of 20 MPa (200 bar) to 31,5 MPa (315 bar).

Couplings in accordance with this International Standard are not designed to connect or disconnect under pressure.

NOTE Couplings in accordance with this International Standard provide for automatic sealing of the fluid pressure on the upstream side and on the downstream side when the coupling is disconnected.

iTeh STANDARD PREVIEW (standards.iteh.ai)

2 Normative references

The following normative documents contain provisions which, through reference in this text, constitute provisions of this International Standard. For dated references, subsequent amendments to, or revisions of, any of these publications do not apply. However, parties to agreements based on this International Standard are encouraged to investigate the possibility of applying the most recent editions of the normative documents indicated below. For undated references, the latest edition of the normative document referred to applies. Members of ISO and IEC maintain registers of currently valid International Standards.

ISO 4397, *Fluid power systems and components — Connectors and associated components — Nominal outside diameters of tubes and nominal inside diameters of hoses.*

ISO 4399, *Fluid power systems and components — Connectors and associated components — Nominal pressures.*

ISO 5598, *Fluid power systems and components — Vocabulary.*

ISO 7241-2, *Hydraulic fluid power — Quick-action couplings — Part 2: Test methods.*

3 Terms and definitions

For the purposes of this International Standard, the terms and definitions given in ISO 5598 apply.

4 Dimensional requirements

Hydraulic flush face quick-action couplings shall conform to the dimensions shown in Figure 1 and given in Table 1. The coupling size relates to the nominal inside diameter of the hose, in accordance with ISO 4397, that is recommended for use with the coupling.

ISO 16028:1999(E)**5 Performance requirements**

- 5.1** Hydraulic, flush-face, quick-action couplings in accordance with this International Standard shall meet or exceed the performance requirements given in Table 2.
- 5.2** The operating pressure shall be verified by pressure impulse testing in accordance with ISO 7241-2 for 100 000 cycles in the coupled and uncoupled conditions.
- 5.3** The rated burst pressure shall be verified by testing in accordance with ISO 7241-2 for one cycle in the coupled and uncoupled conditions.
- 5.4** The pressure drop at rated flow shall be verified by testing in accordance with ISO 7241-2.
- 5.5** The fluid loss per disconnect shall be verified by spillage testing in accordance with ISO 7241-2.
- 5.6** The surge flow capability shall be verified by surge flow testing in accordance with ISO 7241-2.
- 5.7** Provisions for locking the coupling in the coupled condition, to reduce the probability of accidental disconnect, shall be agreed upon between the manufacturer and the user.

6 Identification statement (Reference to this International Standard)

Use the following statement in test reports, catalogues and sales literature when electing to comply with this International Standard:

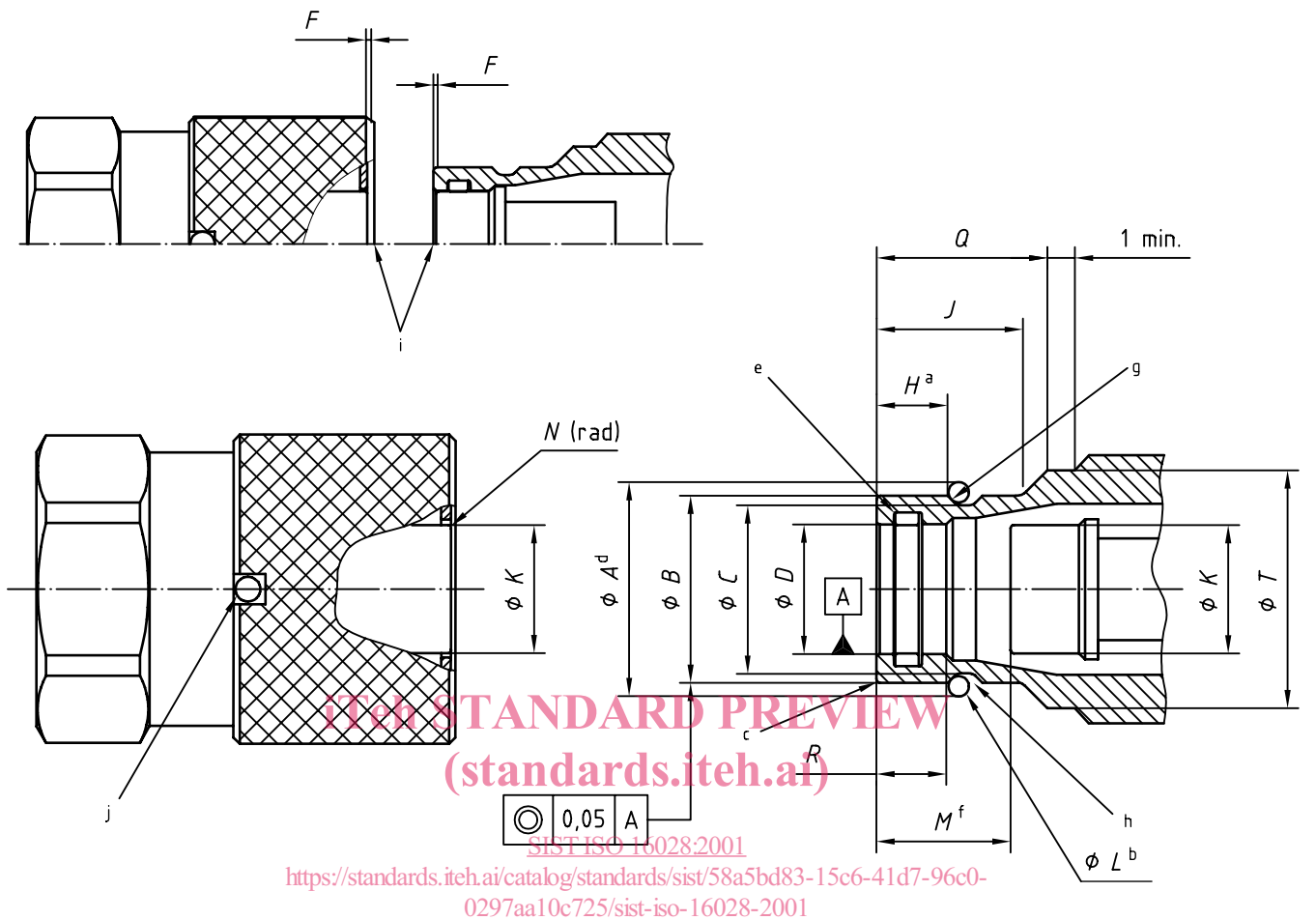
iTeh STANDARD PREVIEW

“Dimensional and performance requirements in accordance with ISO 16028:1999, *Hydraulic fluid power — Flush-face type, quick-action couplings for use at pressures of 20 MPa (200 bar) to 31,5 MPa (315 bar) — Specifications.*”

[SIST ISO 16028:2001](https://standards.iteh.ai/catalog/standards/sist/58a5bd83-15c6-41d7-96c0-0297aa10c725/sist-iso-16028-2001)

<https://standards.iteh.ai/catalog/standards/sist/58a5bd83-15c6-41d7-96c0-0297aa10c725/sist-iso-16028-2001>

Dimensions in millimetres



- | | | | |
|---|--|---|---|
| a | Distance to ball | g | Minimum hardness 50 HRC in ball contact area |
| b | Gage ball | h | The shape of the neck receiving the balls in the coupled position is left to the manufacturer |
| c | Chamfer RU or $U \times 45^\circ$ | i | This surface shall be flush within F max. |
| d | Gage diameter | j | Locking collar optional (see 5.7) |
| e | Locate seal within length R to seal on $\varnothing K$ | | |
| f | Minimum with poppet against its stop | | |

Figure 1 — Hydraulic, flush-face type, quick-action coupling