



DRAFT INTERNATIONAL STANDARD ISO/DIS 9597

ISO/TC 74

Secretariat: **IBN**

Voting begins on
2002-07-04

Voting terminates on
2002-12-04

INTERNATIONAL ORGANIZATION FOR STANDARDIZATION • МЕЖДУНАРОДНАЯ ОРГАНИЗАЦИЯ ПО СТАНДАРТИЗАЦИИ • ORGANISATION INTERNATIONALE DE NORMALISATION

Methods of testing cement — Determination of setting times and soundness

[Revision of first edition (ISO 9597:1989)]

Méthodes d'essai des ciments — Détermination du temps de prise et de la stabilité

ICS 91.100.10

iTeh STANDARD PREVIEW (standards.iteh.ai)

[ISO/DIS 9597](https://standards.iteh.ai/catalog/standards/sist/0674b9ed-4c6c-49bf-962d-72924a1b283c/iso-dis-9597)

<https://standards.iteh.ai/catalog/standards/sist/0674b9ed-4c6c-49bf-962d-72924a1b283c/iso-dis-9597>

ISO/CEN PARALLEL ENQUIRY

This draft International Standard is a draft European Standard developed within the European Committee for Standardization (CEN) and processed under the CEN-lead mode of collaboration as defined in the Vienna Agreement. The document has been transmitted by CEN to ISO for circulation for ISO member body voting in parallel with CEN enquiry. Comments received from ISO member bodies, including those from non-CEN members, will be considered by the appropriate CEN technical body. **Accordingly, ISO member bodies who are not CEN members are requested to send a copy of their comments on this DIS directly to CEN/TC 51 (IBN/BIN, Avenue de la Brabançonne/laan, 29, B-1000 Bruxelles) as well as returning their vote and comments in the normal way to the ISO Central Secretariat.** Should this DIS be accepted, a final draft, established on the basis of comments received, will be submitted to a parallel two-month FDIS vote in ISO and formal vote in CEN.

THIS DOCUMENT IS A DRAFT CIRCULATED FOR COMMENT AND APPROVAL. IT IS THEREFORE SUBJECT TO CHANGE AND MAY NOT BE REFERRED TO AS AN INTERNATIONAL STANDARD UNTIL PUBLISHED AS SUCH.

IN ADDITION TO THEIR EVALUATION AS BEING ACCEPTABLE FOR INDUSTRIAL, TECHNOLOGICAL, COMMERCIAL AND USER PURPOSES, DRAFT INTERNATIONAL STANDARDS MAY ON OCCASION HAVE TO BE CONSIDERED IN THE LIGHT OF THEIR POTENTIAL TO BECOME STANDARDS TO WHICH REFERENCE MAY BE MADE IN NATIONAL REGULATIONS.

ICS

English version

Methods of testing cement - Determination of setting times and soundness (ISO/DIS 9597:2002)

Méthodes d'essais des ciments - Détermination du temps de prise et de la stabilité (ISO/DIS 9597:2002)

This draft European Standard is submitted to CEN members for parallel enquiry. It has been drawn up by the Technical Committee CEN/TC 51.

If this draft becomes a European Standard, CEN members are bound to comply with the CEN/CENELEC Internal Regulations which stipulate the conditions for giving this European Standard the status of a national standard without any alteration.

This draft European Standard was established by CEN in three official versions (English, French, German). A version in any other language made by translation under the responsibility of a CEN member into its own language and notified to the Management Centre has the same status as the official versions.

CEN members are the national standards bodies of Austria, Belgium, Czech Republic, Denmark, Finland, France, Germany, Greece, Iceland, Ireland, Italy, Luxembourg, Malta, Netherlands, Norway, Portugal, Spain, Sweden, Switzerland and United Kingdom.

Warning : This document is not a European Standard. It is distributed for review and comments. It is subject to change without notice and shall not be referred to as a European Standard.

<https://standards.iteh.ai/catalog/standards/sist/0674b9ed-4c6c-49bf-962d-72924a1b283c/iso-dis-9597>



EUROPEAN COMMITTEE FOR STANDARDIZATION
COMITÉ EUROPÉEN DE NORMALISATION
EUROPÄISCHES KOMITEE FÜR NORMUNG

Management Centre: rue de Stassart, 36 B-1050 Brussels

Contents

Foreword.....	3
1 Scope.....	4
2 Normative references.....	4
3 Principles	4
4 Laboratory, equipment and materials	4
4.1 Laboratory.....	4
4.2 General requirements for the equipment	5
5 Standard consistence test	5
5.1 Apparatus.....	5
5.2 Procedure.....	6
6 Setting time test	10
6.1 Apparatus.....	10
6.2 Determination of initial setting time	11
6.3 Determination of final setting time	11
7 Soundness test.....	12
7.1 Apparatus.....	12
7.2 Procedure.....	14
7.3 Report.....	14
7.4 Retest	14

[ISO/DIS 9597](https://standards.iteh.ai/catalog/standards/sist/0674b9ed-4c6c-49bf-962d-72924a1b283c/iso-dis-9597)

<https://standards.iteh.ai/catalog/standards/sist/0674b9ed-4c6c-49bf-962d-72924a1b283c/iso-dis-9597>

Foreword

This document (prEN ISO 9597) has been prepared by Technical Committee CEN/TC 51 "Cement and building limes", the secretariat of which is held by national standard body, in collaboration with Technical Committee ISO/TC 74 "Cement and lime".

This document is currently submitted to the parallel Enquiry.

This European Standard shall be given the status of a National Standard, either by publication of an identical text or by endorsement, at the latest day by xxxx 200y, and conflicting national standards shall be withdrawn at the latest by xxxx 200y.

This European Standard supersedes EN 196-3:1994 which is withdrawn.

This edition introduces the following technical changes based on comments received by the Secretariat:

- a) requirement for the laboratory relative humidity is reduced to a minimum of 50 % from a minimum of 65 % (4.1);
- b) drinking water is permitted for storing and boiling test specimens (4.6);
- c) the Vicat mould is permitted to be cylindrical in addition to truncated conical shape (5.1);
- d) the end-point for the determination of standard consistence is increased to (6 ± 3) mm from (6 ± 1) mm (5.2.3);
- e) the determination of setting time is carried out whilst the specimen is immersed in water (6);
- f) in the determination of setting time the tolerance on storage temperature for specimens is reduced to $(20,0 \pm 1,0)$ °C from (20 ± 1) °C (6.1.3);
- g) in the determination of setting time automatic apparatus conforming to the requirements of the reference method is permitted (6.1.1);
- h) the end-point for the determination of initial setting time is increased to (6 ± 3) mm from (4 ± 1) mm (6.2.2);
- i) the end-point for the determination of final setting time is required to be confirmed by testing in two additional positions in the test specimen (6.3.1);
- j) the material of construction of the Le Chatelier apparatus for determination of soundness is extended to any non-corrodible spring metal (7.1.1);
- k) the determination of soundness is carried out once (7.2);
- l) the minimum relative humidity in which specimens for determination of soundness are to be stored is reduced to 90 % from 98 % (7.1.3);
- m) where a retest of the determination of soundness is required the relative humidity at which the cement sample is stored is reduced to 50 % from 65 %.

1 Scope

This European Standard describes the methods for determining standard consistence, setting times and soundness of cements.

The method applies to common cements and to other cements and materials, the standards for which call up this method. It may not apply to other cement types that have, for example, a very short initial setting time. The method is used for assessing whether the setting time and soundness of a cement is in conformity with its specification.

This standard describes the reference methods and allows the use of alternative procedures and equipment, as indicated in notes, provided that they have been calibrated against the reference methods. In the event of a dispute, only the reference equipment and procedures are used.

2 Normative references

This European Standard incorporates by dated or undated reference, provisions from other publications. These normative references are cited at the appropriate places in the text and the publications are listed hereafter. For dated references, subsequent amendments to or revisions of any of these publications apply to this European Standard only when incorporated in it by amendment or revision. For undated references the latest edition of the publication referred to applies.

prEN ISO 679, *Methods of testing cement — Determination of strength*

3 Principles

Cement paste of standard consistence has a specified resistance to penetration by a standard plunger. The water required for such a paste is determined by trial penetrations of pastes with different water contents.

The setting time is determined by observing the penetration of a needle into cement paste of standard consistence until it reaches a specified value.

The soundness is determined by observing the volume expansion of cement paste of standard consistence as indicated by the relative movement of two needles.

4 Laboratory, equipment and materials

4.1 Laboratory

The laboratory in which specimens are prepared and tested shall be maintained at a temperature of (20 ± 2) °C and a relative humidity of not less than 50 %.

The temperature and relative humidity of the air in the laboratory and the temperature of the water in the storage containers shall be recorded at least once per day during working hours.

Cement, water and apparatus used to make and test specimens shall be at a temperature of (20 ± 2) °C.

Where temperature ranges are given, the target temperature at which the controls are set shall be the middle value of the range.

4.2 General requirements for the equipment

The tolerances shown in Figures 1 and 2 are important for correct operation of the equipment in the testing procedure. When regular control measurements show that the tolerances are not met, the equipment shall be rejected, adjusted or repaired. Records of control measurements shall be kept.

Acceptance measurements on new equipment shall cover mass, volume, and dimensions to the extent that these are indicated in this European Standard paying particular attention to those critical dimensions for which tolerances are specified.

In those cases where the material of the equipment can influence the results, the material is specified and shall be used.

The approximate dimensions shown in the figures are provided as guidance to equipment manufacturers or operators. Dimensions which include tolerances are obligatory.

4.3 Balance, capable of weighing to an accuracy of ± 1 g.

4.4 Graduated cylinder or burette, capable of dispensing to an accuracy of ± 1 ml.

4.5 Mixer, conforming to 4.4 of prEN ISO 679:200x.

NOTE A more homogeneous paste is produced at the lower limit of tolerance for the clearance between the blade and the bowl.

4.6 Water, distilled or deionized water shall be used for making the specimens. Drinking water may be used for storing and boiling specimens.

ITh STANDARD PREVIEW
(standards.iteh.ai)

5 Standard consistence test

ISO/DIS 9597

5.1 Apparatus <https://standards.iteh.ai/catalog/standards/sist/0674b9ed-4c6c-49bf-962d-72924a1b283c/iso-dis-9597>

Use the manual Vicat apparatus as shown in Figure 1(a) and 1(b) with the plunger shown in Figure 1(c). The plunger shall be of non-corrodible metal in the form of a right cylinder of (50 ± 1) mm effective length and of $(10,00 \pm 0,05)$ mm diameter. The total mass of moving parts shall be (300 ± 1) g. Their movement shall be truly vertical and without appreciable friction, and their axis shall coincide with that of the plunger.

The Vicat mould (see Figure 1(a)) to contain the paste under test shall be of hard rubber, plastics or brass. It shall be of cylindrical or preferably truncated conical form $(40,0 \pm 0,2)$ mm deep and shall have an internal diameter of (75 ± 10) mm. It shall be adequately rigid and shall be provided with a base-plate larger than the mould and at least 2,5 mm thick, constructed of impermeable material resistant to attack by cement paste, e.g. plane glass.

NOTE 1 Moulds of other metal may be used provided that they are of the specified depth and that their use has been calibrated against the specified mould.

NOTE 2 It is recommended that a laboratory uses base plates of equal thickness in order that the scale of the Vicat apparatus has only to be adjusted once for several determinations.

5.2 Procedure

5.2.1 Mixing the cement paste

Weigh, to an accuracy of ± 1 g, by means of the balance (4.3), 500 g of cement and a quantity of water, e.g. 125 g. When water is measured by volume using the graduated cylinder or burette (4.4) it shall be dispensed to an accuracy of ± 1 ml. Mix each batch of paste mechanically using the mixer (4.5). The timing of the various mixing stages refers to the times at which mixer power is switched on/off and shall be maintained within ± 2 s.

With the mixer in the operating condition:

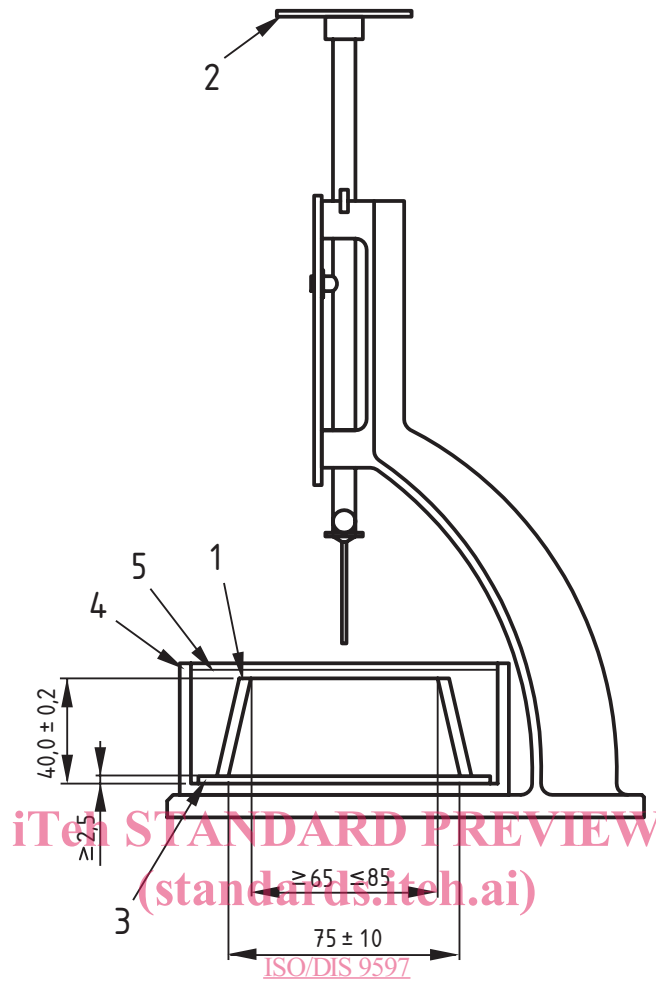
- a) place the water and cement into the bowl taking care to avoid loss of water or cement; complete the addition within 10 s;
- b) immediately start the mixer at low speed whilst starting the timing of the mixing stages. In addition, record the time to the nearest minute as 'zero time';

NOTE 1 'Zero time' is the point from which the initial (see 6.2) and final (see 6.3) Setting times are calculated.

- c) Stop the mixer after 90 s for 30 s during which remove by means of a suitable rubber or plastics scraper all the paste adhering to the wall and bottom part of the bowl and place it in the middle of the bowl;
- d) restart the mixer and run at low speed for a further 90 s. The total mixer running time shall be 3 min.

NOTE 2 Any other mixing method may be used provided that it has been calibrated against the reference method.

iTeh STANDARD PREVIEW
(standards.iteh.ai)
ISO/DIS 9597
<https://standards.iteh.ai/catalog/standards/sist/0674b9ed-4c6c-49bf-962d-72924a1b283c/iso-dis-9597>



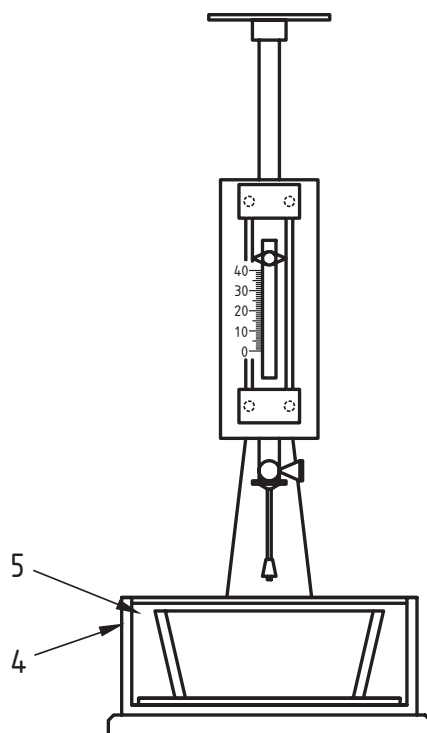
Key:

<https://standards.itech.ai/catalog/standards/sist/0674b9ed-4c6c-49bf-962d-72924a1b283c/iso-dis-9597>

- | | | |
|--------------|------------------------------------|---------------|
| 1. Mould | 2. Platform for correcting weights | 3. Base plate |
| 4. Container | 5. Water | 6. |

Dimensions in mm

Figure 1.a) — Typical manual Vicat apparatus for determination of standard consistence and setting time: (a) Side view with mould in upright position for initial setting time determination



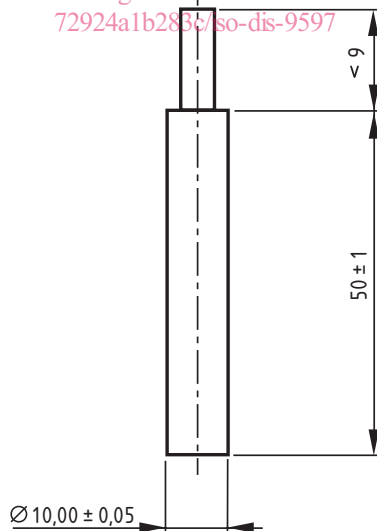
For key, see figure 1a

Dimensions in mm

iTeh STANDARD PREVIEW
(standards.iteh.ai)

Figure 1.b) — Typical manual Vicat apparatus for determination of standard consistence and setting time: (b) front view with mould inverted for final setting time determination

<https://standards.iteh.ai/catalog/standards/sist/0674b9ed-4c6c-49bf-962d-72924a1b2835/iso-dis-9597>



For key, see figure 1a

Dimensions in mm

Figure 1.c) — Typical manual Vicat apparatus for determination of standard consistence and setting time: (c) plunger for standard consistence