



SLOVENSKI STANDARD
SIST ISO 11925-3:1998/Cor.1:1999
01-september-1999

DfYg_i gj'cXnj U bUc[Yb^!'GdcgcVbcghj y][U[fUXVYb] \ `dfc]nj cXcj `j
bYdcgfYXbYa `gh_i `g'd`Ua Ybca `!' "XY.`DfYg_i g'n'fUn` b]a][cf]b_]!'HY b] b]
dcdfUj Y_%

Reaction to fire tests — Ignitability of building products subjected to direct impingement of flame — Part 3:Multi-source test - Technical corrigendum 1

iTeh STANDARD PREVIEW
(standards.iteh.ai)

[SIST ISO 11925-3:1998/Cor.1:1999](https://standards.iteh.ai/catalog/standards/sist/15ad0097-1610-4ca9-8966-11ca4c62cd/sist-iso-11925-3-1998-cor-1-1999)

Ta slovenski standard je istoveten z: **ISO 11925-3:1997/Cor 1:1998**

ICS:

13.220.50	Požarna odpornost gradbenih materialov in elementov	Fire-resistance of building materials and elements
-----------	---	--

SIST ISO 11925-3:1998/Cor.1:1999 **en**

iTeh STANDARD PREVIEW
(standards.iteh.ai)

SIST ISO 11925-3:1998/Cor.1:1999

<https://standards.iteh.ai/catalog/standards/sist/15ad0097-1610-4ca9-8966-1fea4fc02cf9/sist-iso-11925-3-1998-cor-1-1999>

**INTERNATIONAL STANDARD ISO 11925-3:1997
TECHNICAL CORRIGENDUM 1**

Published 1998-07-15

INTERNATIONAL ORGANIZATION FOR STANDARDIZATION • МЕЖДУНАРОДНАЯ ОРГАНИЗАЦИЯ ПО СТАНДАРТИЗАЦИИ • ORGANISATION INTERNATIONALE DE NORMALISATION

**Reaction to fire tests — Ignitability of building products subjected
to direct impingement of flame —****Part 3:
Multi-source test****TECHNICAL CORRIGENDUM 1***Essais de réaction au feu — Allumabilité des produits du bâtiment soumis à l'incidence directe de la flamme —**Partie 3: Essai multi-sources**RECTIFICATIF TECHNIQUE 1***iTeh STANDARD PREVIEW
(standards.iteh.ai)**[SIST ISO 11925-3:1998/Cor.1:1999](https://standards.iteh.ai/catalog/standards/sist/15ad0097-1610-4ca9-8966-1192531998cor11999)[https://standards.iteh.ai/catalog/standards/sist/15ad0097-1610-4ca9-8966-](https://standards.iteh.ai/catalog/standards/sist/15ad0097-1610-4ca9-8966-1192531998cor11999)

Technical Corrigendum 1 to International Standard ISO 11925-3:1997 was prepared by Technical Committee ISO/TC 92, *Fire safety*, Subcommittee SC 1, *Reaction to fire*.

Page iv, Introduction

In the 4th paragraph, second line, replace “with” by “in”.

Page 3, clause 7.1 c)

Replace “growing” with “varying in size and intensity with time”.

Page 7, subclause 11.6

In the third line, replace the comma with a semi-colon.

ICS 13.220.50**Ref. No. ISO 11925-3:1997/Cor.1:1998(E)**

Page 16

Replace figure 5 with the following figure.

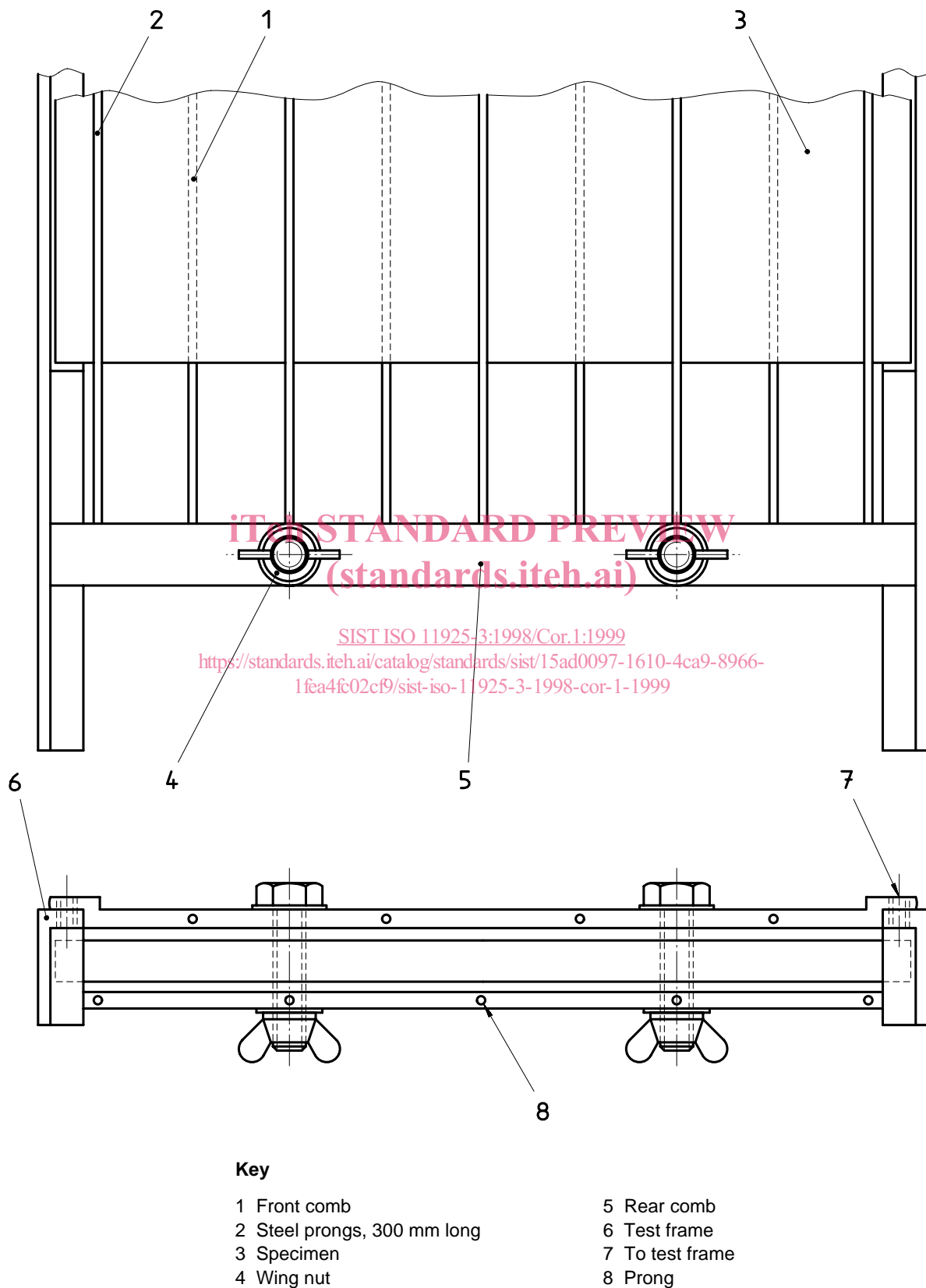


Figure 5 — Typical restraining comb for thermoplastic and flexible materials