

INTERNATIONAL STANDARDIZED PROFILE

**ISO/IEC
ISP
12069-5**

First edition
1999-03-01

Information technology — International Standardized Profiles ADFnn — Document Filing and Retrieval (DFR) —

Part 5:

ADF13 — Common Filing and Retrieval — Document Store Manipulation Profile

*Technologies de l'information — Profils normalisés internationaux ADFnn —
Classement et recherche documentaire (DFR) —*

*Partie 5: ADF13 — Classement et recherche courants — Profil de
manipulation de stockage documentaire*



Reference number
ISO/IEC ISP 12069-5:199(E)

Contents

1 Scope 1

1.1 General..... 1

1.2 Position within the taxonomy 1

1.3 Scenario..... 1

2 Normative references 2

3 Definitions 3

4 Abbreviations 3

5 Conformance..... 4

6 Constraints supported by ADF13..... 4

6.1 Support Classification..... 4

6.2 Support classification of service 4

Annex A (normative) Profile requirements list for this part of ISO/IEC ISP 12069 5

A.1 DfrBind 5

A.1.1 DfrBindArgument Parameters 5

A.1.2 DfrBindResult Parameters..... 6

A.1.3 DfrBind Error 6

A.2 DfrUnbind..... 6

A.3 Create 6

A.3.1 CreateArgument Parameters..... 6

A.3.1.1 DfrObjectClass 7

A.3.1.2 DfrEntryName 7

A.3.1.3 EntryInformationSelection 7

A.3.1.4 DfrObjectContent 7

A.3.1.5 EntryModification 7

iteh STANDARD PREVIEW
(standards.iteh.ai)

ISO/IEC ISP 12069-5:1999
<https://standards.iteh.ai/catalog/standards/sist/b29da05a-5b55-441f-bd5b-11e6fc3e1b47/iso-iec-isp-12069-5-1999>

A.3.2 CreateResult Parameters	8
A.3.3 Create Error	8
A.4 Delete	8
A.4.1 DeleteArgument Parameters.....	8
A.4.2 DeleteResult Parameters.....	8
A.4.3 Delete Error.....	9
A.5 Copy	9
A.5.1 CopyArgument Parameters.....	9
A.5.1.1 Entry	9
A.5.1.2 EntryModification.....	9
A.5.1.3 SourceEntry.....	10
A.5.1.4 ErrorHandlingMode.....	10
A.5.1.5 DfrObjectContent	10
A.5.2 CopyResult Parameters.....	11
A.5.2.1 EntryInformation	11
A.5.2.2 DfrEntry.....	11
A.5.2.3 DfrObjectContent	11
A.5.3 Copy Error	12
A.6 Move	12
A.6.1 MoveArgument Parameters	12
A.6.1.1 Entry	13
A.6.1.2 EntryModification.....	13
A.6.2 MoveResult Parameters	14
A.6.3 Move Error	14
A.7 Read	15
A.7.1 ReadArgument Parameters.....	15
A.7.1.1 Entry	15
A.7.1.2 DfrEntryName	15
A.7.1.3 DfrPathName	15
A.7.1.4 CharacterData.....	15

iTeh STANDARD PREVIEW
(standards.iteh.ai)

ISO/IEC ISP 12069-5:1999
<https://standards.iteh.ai/catalog/standards/sist/b29da65a-5b53-441f-bd3b-11e6f3e1b47/iso-iec-isp-12069-5-1999>

A.7.1.5 EntryInformationSelection 15

A.7.1.6 AttributeSelection 15

A.7.1.7 DfrObjectClass 16

A.7.2 ReadResult Parameters 16

A.7.3 Read Error 16

A.8 Modify 16

A.8.1 ModifyArgument Parameters 16

A.8.1.1 EntryModification 17

A.8.1.2 DfrObjectContent 17

A.8.2 ModifyResult Parameters 18

A.8.2.1 EntryInformation 18

A.8.2.2 DfrEntry 18

A.8.2.3 DfrObjectContent 19

A.8.3 Modify Error 19

A.9 List 19

A.10 Search 19

A.10.1 SearchArgument Parameters 20

A.10.1.1 SearchMode 20

A.10.1.2 Limits 20

A.10.1.3 SearchDomain 20

A.10.2 SearchResult Parameters 21

A.10.3 Search Error 21

A.11 Reserve 21

A.12 Abandon 21

A.13 Error 21

A.13.1 AttributeError 22

A.13.1.1 Problems 22

A.13.1.2 AttributeProblem 23

A.13.2 NameError 23

A.13.3 AccessError 23

iTeh STANDARD PREVIEW
(standards.iteh.ai)

ISO/IEC ISP 12069-5:1999
<https://standards.iteh.ai/catalog/standards/sist/b29da65a-5b53-441f-bd3b-11e6f3e1b47/iso-iec-isp-12069-5-1999>

A.13.3.1	AccessProblem	23
A.13.4	ReferentAccessError	24
A.13.4.1	ReferentAccessProblem.....	24
A.13.5	SecurityError	24
A.13.6	ServiceError.....	24
A.13.6.1	ServiceProblem.....	24
A.13.7	AbandonedFailed.....	24
A.13.8	Abandoned	24
A.13.9	ExternalServerError	25
A.13.10	VersionManagementError	25
A.13.11	UpdateError	25
A.13.12	ReservationError.....	25
A.13.13	InterServerAccessError.....	25
A.14	DFR-Object-Classes.....	25
A.15	DFR-Attributes.....	25
A.15.1	Support Classification.....	25
A.15.1.1	DFR-Basic-Attribute-Set.....	26
A.15.1.2	DFR-Extension-Attribute-Set	27
A.15.2	Attribute-Types.....	27
A.15.2.1	DfrAccessListElement	28
A.15.2.2	AccessRights	28
A.15.2.3	ValidUserKey	28
A.15.2.4	UserKeyList	28
A.15.2.5	DfrPurgeRequest.....	29

iTeh STANDARD PREVIEW
(standards.iteh.ai)

ISO/IEC ISP 12069-5:1999
<https://standards.iteh.ai/catalog/standards/sist/b29da65a-5b53-441f-bd3b-11e6f3e1b47/iso-iec-isp-12069-5-1999>

Foreword

ISO (the International Organization for Standardization) and IEC (the International Electrotechnical Commission) form the specialized system for worldwide standardization. National bodies that are members of ISO or IEC participate in the development of International Standards through technical committees established by the respective organization to deal with particular fields of technical activity. ISO and IEC technical committees collaborate in fields of mutual interest. Other international organizations, governmental and non-governmental, in liaison with ISO and IEC, also take part in the work.

In the field of information technology, ISO and IEC have established a joint technical committee, ISO/IEC JTC 1. In addition to developing International Standards, ISO/IEC JTC 1 has created a Special Group on Functional Standardization for the elaboration of International Standardized Profiles.

An International Standardized Profile is an internationally agreed, harmonized document which identifies a standard or group of standards, together with options and parameters, necessary to accomplish a function or a set of functions.

Draft International Standardized Profiles are circulated to national bodies for voting. Publication as an International Standardized Profile requires approval by at least 75 % of the national bodies casting a vote.

International Standardized Profile ISO/IEC ISP 12069-5 was prepared with the collaboration of

- Asia-Oceania Workshop (AOW);
- European Workshop for Open Systems (EWOS);
- Open Systems Environment Implementors' Workshop (OIW).

ISO/IEC ISP 12069 consists of the following parts, under the general title *Information technology — International Standardized Profiles ADFnn — Document Filing and Retrieval (DFR)*:

- *Part 1: Introduction to the DFR ISP*
- *Part 2: Specification of ROSE, RTSE, ACSE, Presentation and Session protocols for use by DFR*
- *Part 3: ADF11 — Common Document Filing and Retrieval — Read Only Profile*
- *Part 4: ADF12 — Common Filing and Retrieval — Archiving Profile*
- *Part 5: ADF13 — Common Filing and Retrieval — Document Store Manipulation Profile*
- *Part 6: ADF21 — Remote Store Management — Simple Management Profile*
- *Part 7: ADF22 — Remote Store Management — Full Management Profile*

Annex A forms an integral part of this part of ISO/IEC ISP 12069.

Information technology — International Standardized Profiles ADFnn — Document Filing and Retrieval (DFR) —

Part 5:

ADF13 — Common Filing and Retrieval — Document Store Manipulation Profile

1 Scope

1.1 General

This part of ISO/IEC ISP 12069 contains the overall specifications for the support of document filing and retrieval functionality between a DFR user and a DFR server using DFR access protocol. This specification forms the document store manipulation capabilities of Common Filing and Retrieval application functions.

For this part of ISO/IEC ISP 12069, specifications defined in ISO/IEC ISP 12069-1 and ISO/IEC ISP 12069-2 apply. If any specification of another part of ISO/IEC ISP 12069 is used, it is explicitly indicated.

1.2 Position within the taxonomy (standards.iteh.ai)

This part of ISO/IEC ISP 12069 is the fifth part of the DFR ISPs. The structure of the DFR ISPs is described in ISO/IEC ISP 12069-1.

<https://standards.iteh.ai/catalog/standards/sist/b29da65a-5b53-441f-bd3b-17c1e5e1b47a/iso-iec-isp-12069-5-1999>

ADF13 Document Store Manipulation profile is part of the ADF1n series of profiles, called Common Filing and Retrieval profiles. It includes the functionality of ADF11 Read Only profile (specified in ISO/IEC ISP 12069-3) and ADF12 Archiving profile (specified in ISO/IEC ISP 12069-4).

It may be combined with any T-Profile (see ISO/IEC TR 10000) specifying the OSI connection-mode Transport service.

1.3 Scenario

ADF13 is intended to accomplish the document store manipulation when common filing and retrieval capabilities of a DFR document are required.

The model used is one of a DFR user and a DFR server intercommunicating using the ADF13 profile of the DFR protocol. This situation is illustrated in Figure 1.

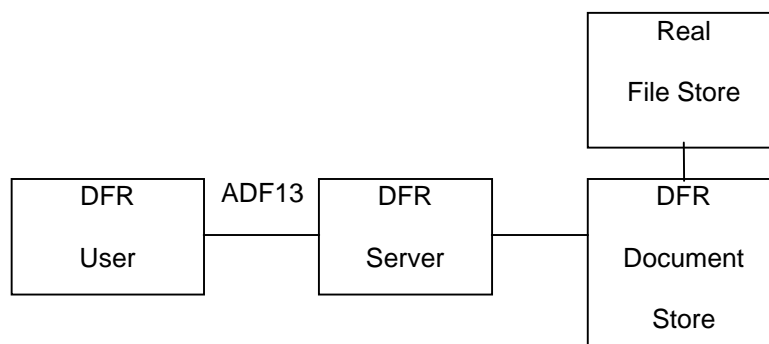


Figure 1 — Scenario for the use of ADF13

2 Normative references

The following documents contain provisions which, through reference in this text, constitute provisions of this part of ISO/IEC ISP 12069. At the time of publication, the editions indicated were valid. All documents are subject to revision, and parties to agreements based on this part of ISO/IEC ISP 12069 are warned against automatically applying any more recent editions of the documents listed below, since the nature of references made by ISPs to such documents is that they may be specific to a particular edition. Members of IEC and ISO maintain registers of currently valid International Standards and ISPs, and ITU-T maintains published editions of its current Recommendations.

ISO/IEC 8326:1996, *Information technology — Open Systems Interconnection — Session service definition.*

ISO/IEC 8327-1:1996, *Information technology — Open Systems Interconnection — Connection-oriented Session protocol: Protocol specification.*

ISO 8649:1988, *Information processing systems — Open Systems Interconnection — Service definition for the Association Control Service Element.*

ISO 8650:1988, *Information processing systems — Open Systems Interconnection — Protocol specification for the Association Control Service Element.*

ISO/IEC 8822:1994, *Information technology — Open Systems Interconnection — Presentation service definition.*

ISO/IEC 8823-1:1994, *Information technology — Open Systems Interconnection — Connection-oriented presentation protocol: Protocol specification.*

ISO/IEC 8824:1990, *Information technology — Open Systems Interconnection — Specification of Abstract Syntax Notation One (ASN.1).*

ISO/IEC 8825:1990, *Information technology — Open Systems Interconnection — Specification of Basic Encoding Rules for Abstract Syntax Notation One (ASN.1).*

ISO/IEC 9072-1:1989, *Information processing systems — Text communication — Remote Operations — Part 1: Model, notation and service definition.*

ISO/IEC 9072-2:1989, *Information processing systems — Text communication — Remote Operations — Part 2: Protocol specification.*

ISO/IEC 9646-7:1995, *Information technology — Open Systems Interconnection — Conformance testing methodology and framework — Part 7: Implementation Conformance Statements.*

ISO/IEC TR 10000-1:1995, *Information technology — Framework and taxonomy of International Standardized Profiles — Part 1: General principles and documentation framework.*

ISO/IEC TR 10000-2:1995, *Information technology — Framework and taxonomy of International Standardized Profiles — Part 2: Principles and Taxonomy for OSI profiles.*

ISO/IEC 10031-2:1991, *Information technology — Text and office systems — Distributed-office-applications model — Part 2: Distinguished-object-reference and associated procedures.*

ISO/IEC 10166-1:1991, *Information technology — Text and office systems — Document Filing and Retrieval (DFR) — Part 1: Abstract service definition and procedures.*

ISO/IEC 10166-1:1991/Amd.1:1995, *Information technology — Text and office systems — Document Filing and Retrieval (DFR) — Part 1: Abstract service definition and procedures — Amendment 1: Minor Enhancements.*

ISO/IEC 10166-1:1991/Amd.2:1996, *Information technology — Text and office systems — Document Filing and Retrieval (DFR) — Part 1: Abstract service definition and procedures — Amendment 2: Combined usage of DFR and DTAM.*

ISO/IEC 10166-1:1991/Cor.1:1994, *Information technology — Text and office systems — Document Filing and Retrieval (DFR) — Part 1: Abstract service definition and procedures — Technical Corrigendum 1.*

ISO/IEC 10166-1:1991/Cor.2:1994, *Information technology — Text and office systems — Document Filing and Retrieval (DFR) — Part 1: Abstract service definition and procedures — Technical Corrigendum 2.*

ISO/IEC 10166-1:1991/Cor.3:1994, *Information technology — Text and office systems — Document Filing and Retrieval (DFR) — Part 1: Abstract service definition and procedures — Technical Corrigendum 3.*

ISO/IEC 10166-2:1991, *Information technology — Text and office systems — Document Filing and Retrieval (DFR) — Part 2: Protocol specification.*

ISO/IEC 10166-2:1991/Amd.1:1995, *Information technology — Text and office systems — Document Filing and Retrieval (DFR) — Part 2: Protocol specification — Amendment 1: Minor enhancements for additional error.*

ISO/IEC 10166-2:1991/Amd.2:1996, *Information technology — Text and office systems — Document Filing and Retrieval (DFR) — Part 2: Protocol specification — Amendment 2: Combined usage of DFR and DTAM.*

ISO/IEC 10166-2:1991/Cor.1:1994, *Information technology — Text and office systems — Document Filing and Retrieval (DFR) — Part 2: Protocol specification — Technical Corrigendum 1.*

ISO/IEC 10166-2:1991/Cor.2:1995, *Information technology — Text and office systems — Document Filing and Retrieval (DFR) — Part 2: Protocol specification — Technical Corrigendum 2.*

ISO/IEC ISP 11188-1:1995, *Information technology — International Standardized Profile — Common upper layer requirements — Part 1: Basic connection oriented requirements.*

ISO/IEC ISP 12069-1:1996, *Information technology — International Standardized Profiles ADFnn — Document Filing and Retrieval (DFR) — Part 1: Introduction to the DFR ISP.*

ISO/IEC ISP 12069-2:1996, *Information technology — International Standardized Profiles ADFnn — Document Filing and Retrieval (DFR) — Part 2: Specification of ROSE, RTSE, ACSE, Presentation and Session protocols for use by DFR.*

ISO/IEC ISP 12069-3:1996, *Information technology — International Standardized Profiles ADFnn — Document Filing and Retrieval (DFR) — Part 3: ADF11 — Common Document Filing and Retrieval — Read Only Profile.*

ISO/IEC ISP 12069-4:1998, *Information technology — International Standardized Profiles ADFnn — Document Filing and Retrieval (DFR) — Part 4: ADF12 — Common Document Filing and Retrieval — Archiving Profile.*

ISO/IEC ISP 12069-6:1998, *Information technology — International Standardized Profiles ADFnn — Document Filing and Retrieval (DFR) — Part 6: ADF21 — Remote Store Management — Simple Management Profile.*

3 Definitions

For the purposes of this part of ISO/IEC ISP 12069, the definitions given in ISO/IEC ISP 12069-1 and ISO/IEC ISP 12069-2 apply.

4 Abbreviations

For the purposes of this part of ISO/IEC ISP 12069, the abbreviations given in ISO/IEC ISP 12069-1 and ISO/IEC ISP 12069-2 apply.

5 Conformance

This part of ISO/IEC ISP 12069 states requirements upon implementation to achieve interworking. A claim of conformance to this ADF13 is a claim that all requirements in the relevant base standards and recommendations are satisfied, that all the requirements in ISO/IEC ISP 12069-1 and ISO/IEC ISP 12069-2 are satisfied, and that all requirements in clause 6 and annex A of this part of ISO/IEC ISP 12069 are satisfied.

6 Constraints supported by ADF13

This clause describes the characteristics which are supported by this part of ISO/IEC ISP 12069.

The specifications of annex A are required for applications conforming to ADF13.

6.1 Support Classification

For this part of ISO/IEC ISP 12069, the constraints provided in subclause 3.2 of ISO/IEC ISP 12069-1 apply.

6.2 Support classification of service

The support classification for each operation is detailed in Table 1.

Table 1 — Support classification for DFR Operations

Operation	Support Classification
DfrBind	m
DfrUnbind	m
Create	m
Delete	m
Copy	m
Move	m
Read	m
Modify	m
List	m
Search	m
Reserve	m
Abandon	o

Support classification: m: mandatory; o: optional; i: out of scope

Annex A (normative)

Profile requirements list for this part of ISO/IEC ISP 12069

In the event of a discrepancy becoming apparent in the body of this part of ISO/IEC ISP 12069 and the tables in this annex, this annex is to take precedence.

In each table, "static client" means static capability required for an ADF13 user implementation, "static server" means static capability required for an ADF13 server implementation, and "dynamic" means the dynamic behaviour between ADF13 user and server implementations.

Table A.1 defines specific conditions (in addition to those specified in Table A.1 of ISO/IEC ISP 12069-3) that are used to determine dynamic conditional support classification (see 3.2.2 of ISO/IEC ISP 12069-1).

Table A.1 — Specific Conditions

Symbol	Condition	Support classification	
		TRUE	FALSE
PR	Reservation is requested by the client	m2	x
PG	Function set Full Set is implemented	m2	x
PE	Object class Reference is implemented	m2	x
PL	Object class Search-Result-List is implemented	m2	x
P7	DfrObjectClass is not a DFR-Search-Result-List	m2	x
P8	DfrObjectClass is a DFR-Document	m2	x
P9	DfrObjectClass is a DFR-Document or a DFR-Reference	m2	x
P10	SearchMode is in updatemode	m2	x
P11	SearchMode is not in non-stored-search	m2	x
P12	SearchMode is in new-search-stored or non-stored-search	m2	x

NOTE This table defines symbols to be used for the explanatory remarks. For each symbol (PR, PL, etc.) indicated in this table, each implementation may individually select the value "TRUE" or "FALSE". If "TRUE" is selected the value of dynamic support classification should be replaced by the value specified in "TRUE" column. Otherwise, the value of dynamic support classification should be replaced by the value specified in "FALSE" column.

A.1 DfrBind

This clause specifies restrictions on the DfrBind operation.

A.1.1 DfrBindArgument Parameters

This subclause specifies restrictions on the arguments used in the invocation of the DfrBind operation.

The specifications provided in A.1.1 of ISO/IEC ISP 12069-3 apply with the following modifications:

- The entry for the "dfr-profile-selection" element is replaced by the following entry:

Element	Data Type	Default	Static Client	Static Server	Dynamic	Comments
dfr-profile-selection	OBJECT IDENTIFIER	-	m	m	m1	ISO/IEC ISP 12069-5

A.1.2 DfrBindResult Parameters

This subclause specifies restrictions on the result parameters of the DfrBind operation.

The specifications provided in A.1.2 of ISO/IEC ISP 12069-3 apply.

A.1.3 DfrBind Error

This subclause specifies restrictions on the result error of the DfrBind operation.

The specifications provided in A.1.3 of ISO/IEC ISP 12069-3 apply.

A.2 DfrUnbind

This clause specifies restrictions on the DfrUnbind operation.

The specifications provided in A.2 of ISO/IEC ISP 12069-3 apply.

iTeh STANDARD PREVIEW
(standards.iteh.ai)

A.3 Create

[ISO/IEC ISP 12069-5:1999
https://standards.iteh.ai/catalog/standards/sist/b29da65a-5b53-441f-bd3b-11e6fc3e1b47/iso-iec-isp-12069-5-1999](https://standards.iteh.ai/catalog/standards/sist/b29da65a-5b53-441f-bd3b-11e6fc3e1b47/iso-iec-isp-12069-5-1999)

This clause specifies restrictions on the Create operation.

A.3.1 CreateArgument Parameters

This subclause specifies restrictions on the arguments used in the invocation of the Create operation.

The specifications provided in A.3.1 of ISO/IEC ISP 12069-4 apply with the following modifications:

- The entries for the "modifications", "attributes", "content" and "reservation" elements are replaced by the following entries:

Element	Data Type	Default	Static Client	Static Server	Dynamic	Comments
modifications	SEQUENCE OF EntryModification	-	o	o	c1	see A.3.1.5 see Note
attributes	SET OF Attribute	-	o	m	c1	[c.f. ISO/IEC 9594] see Note
content	DfrObjectContent	-	o	m	c1	see A.3.1.4; see Note
reservation	Reservation	-	o	m	c1(PR)	see A.9.1.5 in ISO/IEC 12069-6

NOTE The arguments modifications, attributes and content must be specified due to the subclause 8.2.1 of ISO/IEC 10166-1.