



# SLOVENSKI STANDARD SIST EN 33:2011

01-november-2011

## Nadomešča:

SIST EN 33:2003

SIST EN 33:2003/AC:2005

SIST EN 34:1998

SIST EN 37:2000

SIST EN 38:1998

---

## WC školjke in WC naprave - Priključne mere

WC pans and WC suites - Connecting dimensions

**ITeH STANDARD PREVIEW**  
**(standards.iteh.ai)**

WC-Becken und WC-Anlagen - Anschlussmaße

<https://standards.iteh.ai/catalog/standards/sist/d0e65ba5-6584-4908-ac06-9bec038d70db/sist-en-33-2011>

Cuvettes de WC et cuvettes à réservoir attenant - Cotes de raccordement

**Ta slovenski standard je istoveten z: EN 33:2011**

---

## ICS:

91.140.70      Sanitarne naprave      Sanitary installations

**SIST EN 33:2011**      **en,fr,de**

**iTeh STANDARD PREVIEW**  
**(standards.iteh.ai)**

SIST EN 33:2011

<https://standards.iteh.ai/catalog/standards/sist/d0e65ba5-6584-4908-ae06-9bec038d70db/sist-en-33-2011>

EUROPEAN STANDARD  
NORME EUROPÉENNE  
EUROPÄISCHE NORM

**EN 33**

September 2011

ICS 91.140.70

Supersedes EN 33:2003, EN 34:1992, EN 37:1998, EN 38:1992

English Version

## WC pans and WC suites - Connecting dimensions

Cuvettes de WC à alimentation indépendante et cuvettes de WC à réservoir attenant - Cotes de raccordement

WC-Becken und WC-Anlagen - Anschlussmaße

This European Standard was approved by CEN on 29 July 2011.

CEN members are bound to comply with the CEN/CENELEC Internal Regulations which stipulate the conditions for giving this European Standard the status of a national standard without any alteration. Up-to-date lists and bibliographical references concerning such national standards may be obtained on application to the CEN-CENELEC Management Centre or to any CEN member.

This European Standard exists in three official versions (English, French, German). A version in any other language made by translation under the responsibility of a CEN member into its own language and notified to the CEN-CENELEC Management Centre has the same status as the official versions.

CEN members are the national standards bodies of Austria, Belgium, Bulgaria, Croatia, Cyprus, Czech Republic, Denmark, Estonia, Finland, France, Germany, Greece, Hungary, Iceland, Ireland, Italy, Latvia, Lithuania, Luxembourg, Malta, Netherlands, Norway, Poland, Portugal, Romania, Slovakia, Slovenia, Spain, Sweden, Switzerland and United Kingdom.

SIST EN 33:2011

<https://standards.iteh.ai/catalog/standards/sist/d0e65ba5-6584-4908-ae06-9bec038d70db/sist-en-33-2011>



EUROPEAN COMMITTEE FOR STANDARDIZATION  
COMITÉ EUROPÉEN DE NORMALISATION  
EUROPÄISCHES KOMITEE FÜR NORMUNG

Management Centre: Avenue Marnix 17, B-1000 Brussels

**Contents**

Page

Foreword.....	3
1 Scope .....	4
2 Connecting dimensions .....	4
2.1 Inlet of WC pans with independent water supply.....	4
2.2 Outlets of WC pans and WC suites.....	6
3 Fixing dimensions for wall-hung WC pans and WC suites .....	10
4 Fixing dimensions for the seat.....	11

**iTeh STANDARD PREVIEW**  
**(standards.iteh.ai)**

SIST EN 33:2011

<https://standards.iteh.ai/catalog/standards/sist/d0e65ba5-6584-4908-ae06-9bec038d70db/sist-en-33-2011>

## Foreword

This document (EN 33:2011) has been prepared by Technical Committee CEN/TC 163 “Sanitary appliances”, the secretariat of which is held by UNI.

This European Standard shall be given the status of a national standard, either by publication of an identical text or by endorsement, at the latest by March 2012, and conflicting national standards shall be withdrawn at the latest by March 2012.

Attention is drawn to the possibility that some of the elements of this document may be the subject of patent rights. CEN [and/or CENELEC] shall not be held responsible for identifying any or all such patent rights.

This document supersedes EN 33:2003, EN 34:1992, EN 37:1998, EN 38:1992.

According to the CEN/CENELEC Internal Regulations, the national standards organizations of the following countries are bound to implement this European Standard: Austria, Belgium, Bulgaria, Croatia, Cyprus, Czech Republic, Denmark, Estonia, Finland, France, Germany, Greece, Hungary, Iceland, Ireland, Italy, Latvia, Lithuania, Luxembourg, Malta, Netherlands, Norway, Poland, Portugal, Romania, Slovakia, Slovenia, Spain, Sweden, Switzerland and the United Kingdom.

## iTeh STANDARD PREVIEW (standards.iteh.ai)

SIST EN 33:2011

<https://standards.iteh.ai/catalog/standards/sist/d0e65ba5-6584-4908-ae06-9bec038d70db/sist-en-33-2011>

## EN 33:2011 (E)

## 1 Scope

This European Standard specifies the connecting dimensions of WC pans and WC suites regardless of the materials used for their manufacture.

This European Standard does not apply to siphonic action WC pans and WC suites.

NOTE 1 Other connecting dimensions are permitted, e. g. special designs of WC pans, if the manufacturer supplies or recommends the appropriate fittings.

NOTE 2 The shape of the appliance in the figures is for illustration only; it in no way prejudices the final shape of the appliance, which is left to the initiative of the manufacturer.

## 2 Connecting dimensions

### 2.1 Inlet of WC pans with independent water supply

The connecting dimensions of inlets of WC pans with independent water supply shall comply with the dimensions given in Tables 1, and 2.

Table 1 — Inlet dimensions

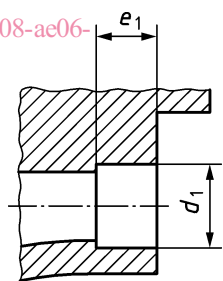
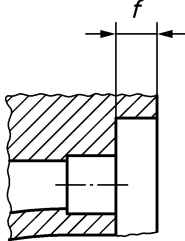
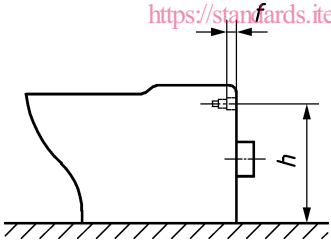
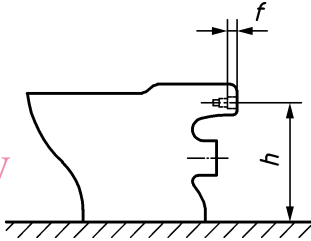
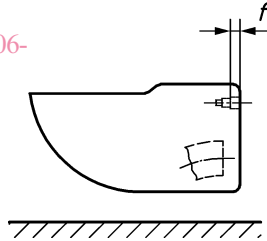
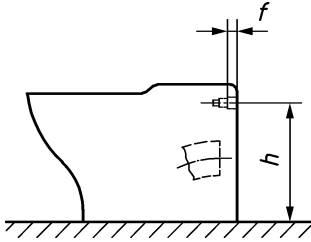
Designation	Symbol	Dimensions mm	Figure
Internal diameter of inlet measured over the initial 25 mm of $e_1$	$d_1$	55 <sup>+3</sup> <sub>-1</sub>	
Depth of the internal cylindrical part in front of the shoulder	$e_1$	≥ 25	

Table 2 — Position of inlets inside the WC pans

Designation	Symbol	Dimensions mm	Figure
Height of the centre of the inlet in relation to the base of the appliance  NOTE Other dimensions are permissible for special needs, e.g. WC pans for children, disabled persons or comfort reasons.	$h$	$345^{+15}_{-25}$	 See below
Distance from the vertical plane of the inlet to the back wall of the appliance  	$f$	0 or $\geq 15$	Pedestal WC pan with vertical or horizontal outlet
		$\geq 15$	 Wall-hung WC pan
		$\geq 15$	 Back-to-wall WC pan with concealed outlet
		$\leq 45$	 Back-to-wall WC pan with exposed outlet

## 2.2 Outlets of WC pans and WC suites

The connecting dimensions of WC pans outlets shall comply with the dimensions given in Tables 3 to 6.

**Table 3 — Outlet dimensions**

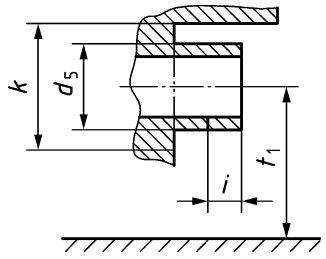
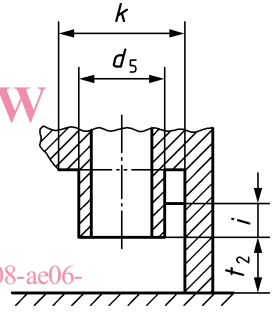
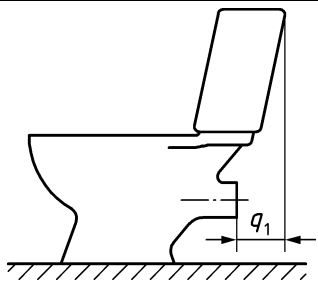
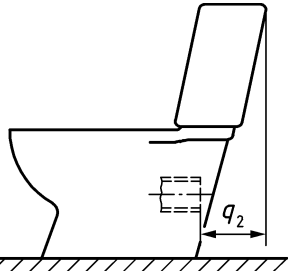
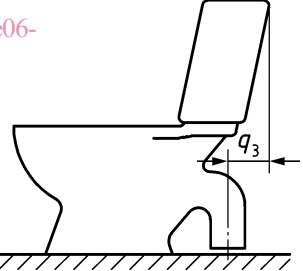
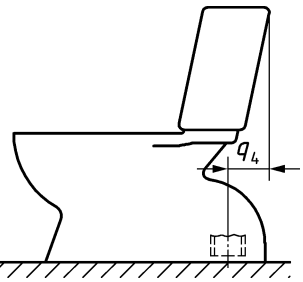
Designation	Symbol	Dimensions mm	Figure
External diameter of the outlet	$d_5$	$102 \pm 5$	 <p>Horizontal outlet</p>
External cylindrical part of the outlet without grooves	$i$	$\geq 40$	
Diameter of the free space around the outlet	$k$	$\geq 150$	 <p>Vertical outlet</p>
Distance between the centre line of the outlet and the base of the appliance NOTE Other connecting dimensions are permitted for specific cases as, for example, WC pans and WC suites for children, for disabled persons or for comfort reasons.	$t_1$	$180^{+15}_{-10}$	
Distance from the plane passing through the end of the outlet and the base of the appliance	$t_2$	$\geq 10$	



Table 4 — Pedestal WC suites

Designation	Symbol	Dimensions mm	Figure
Distance between the vertical plane passing through the end of the outlet and the part of the WC suite nearest to the wall	$q_1$	$140 \pm 25$	 <p>Pedestal WC suite with exposed horizontal outlet</p>
		$100 \pm 25$	
Distance from the centre line of the outlet and the vertical plane passing through the part of the WC suite nearest to the wall	$q_2$	$\geq 115$	 <p>Pedestal WC suite with concealed horizontal outlet</p>
Distance from the centre line of the outlet and the vertical plane passing through the part of the WC suite nearest to the wall	$q_3$	$75 \pm 15$	 <p>Pedestal WC suite with exposed vertical outlet</p>
		$120 \pm 25$	
		$225 \pm 25$	
	$q_4$	$120 \pm 25$	 <p>Pedestal WC suite with concealed vertical outlet</p>
$225 \pm 25$			

iTeh STANDARD PREVIEW  
(standards.iteh.ai)

SIST EN 33:2011  
<https://standards.iteh.ai/catalog/standards/sist/d0751a15-584-4908-ae06-9bec038d70db/sist-en-33-2011>