



SLOVENSKI STANDARD
SIST ISO/TR 10828:1998/TC 1:2002
01-julij-2002

Dc`yUghY`Xj c`jW`!`; Yca Yff]`g_Y`cV`_Y`dc`yYj Y[UdfcZ`U!`HYM b] b]`dcdfUj Y_`%

Worms gears — Geometry of worm profiles - TECHNICAL CORRIGENDUM 1

iTeh STANDARD PREVIEW
(standards.iteh.ai)

Ta slovenski standard je istoveten z: **ISO/TR 10828:1997/Cor 1:1998**

[SIST ISO/TR 10828:1998/TC 1:2002](https://standards.iteh.ai/catalog/standards/sist/1e429425-630e-40e4-acbe-31cc6b2ee646/sist-iso-tr-10828-1998-tc-1-2002)

<https://standards.iteh.ai/catalog/standards/sist/1e429425-630e-40e4-acbe-31cc6b2ee646/sist-iso-tr-10828-1998-tc-1-2002>

ICS:

21.200 Gonila Gears

SIST ISO/TR 10828:1998/TC 1:2002 en

iTeh STANDARD PREVIEW
(standards.iteh.ai)

SIST ISO/TR 10828:1998/TC 1:2002

<https://standards.iteh.ai/catalog/standards/sist/1e429425-630e-40e4-aebe-31cc6b2ee646/sist-iso-tr-10828-1998-tc-1-2002>



TECHNICAL REPORT ISO/TR 10828:1997
TECHNICAL CORRIGENDUM 1

Published 1998-11-01

INTERNATIONAL ORGANIZATION FOR STANDARDIZATION • МЕЖДУНАРОДНАЯ ОРГАНИЗАЦИЯ ПО СТАНДАРТИЗАЦИИ • ORGANISATION INTERNATIONALE DE NORMALISATION

Worms gears — Geometry of worm profiles

TECHNICAL CORRIGENDUM 1

Engrenages à vis cylindriques — Géométrie des profils de vis

RECTIFICATIF TECHNIQUE 1

Technical corrigendum 1 to Technical Report ISO/TR 10828:1997 was prepared by Technical Committee ISO/TC 60, *Gears*, Subcommittee SC 1, *Nomenclature and wormgearing*.

(standards.iteh.ai)

[SIST ISO/TR 10828:1998/TC 1:2002](https://standards.iteh.ai/catalog/standards/sist/1e429425-630e-40e4-acbe-31cc6b2ee646/sist-iso-tr-10828-1998-tc-1-2002)

<https://standards.iteh.ai/catalog/standards/sist/1e429425-630e-40e4-acbe-31cc6b2ee646/sist-iso-tr-10828-1998-tc-1-2002>

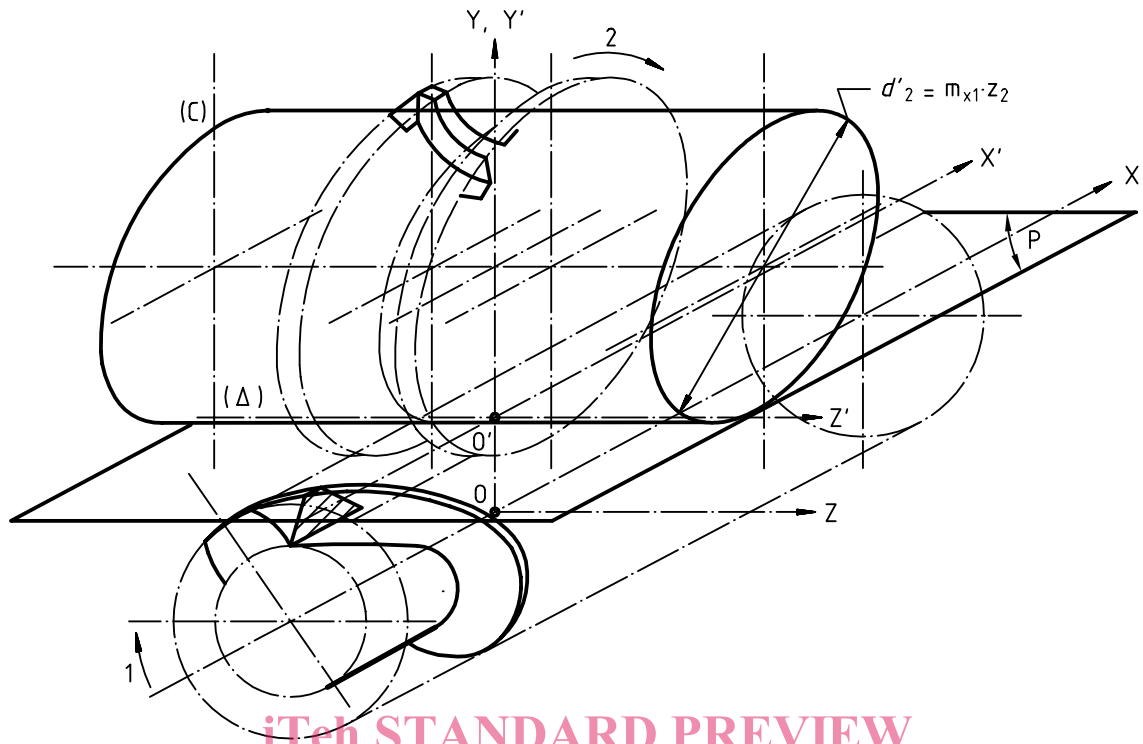
Page i

Replace the first element of the English title with the following:

“worm gears”

Page 3

Replace Figure 1 by the new figure on the following page.



iTeh STANDARD PREVIEW
(standards.iteh.ai)

Key

- 1 Direction of rotation of the worm
- 2 Direction of rotation of the wormwheel
- (C) Pitch cylinder of the shaper
- P Pitch plane of the worm
- (Δ) Pitch line

Figure 1 : Conventions used in equations