
**Cranked-link drag chains of welded
construction, attachments and sprockets**

*Chaînes racleuses en acier, de construction soudée, à maillons coudés,
plaques-attaches et roues dentées*

iTeh STANDARD PREVIEW
(standards.iteh.ai)

[ISO 6971:2002](https://standards.iteh.ai/catalog/standards/sist/581aacdb-6fe5-44ab-8596-dc3bfd6aa245/iso-6971-2002)

[https://standards.iteh.ai/catalog/standards/sist/581aacdb-6fe5-44ab-8596-
dc3bfd6aa245/iso-6971-2002](https://standards.iteh.ai/catalog/standards/sist/581aacdb-6fe5-44ab-8596-dc3bfd6aa245/iso-6971-2002)



PDF disclaimer

This PDF file may contain embedded typefaces. In accordance with Adobe's licensing policy, this file may be printed or viewed but shall not be edited unless the typefaces which are embedded are licensed to and installed on the computer performing the editing. In downloading this file, parties accept therein the responsibility of not infringing Adobe's licensing policy. The ISO Central Secretariat accepts no liability in this area.

Adobe is a trademark of Adobe Systems Incorporated.

Details of the software products used to create this PDF file can be found in the General Info relative to the file; the PDF-creation parameters were optimized for printing. Every care has been taken to ensure that the file is suitable for use by ISO member bodies. In the unlikely event that a problem relating to it is found, please inform the Central Secretariat at the address given below.

iTeh STANDARD PREVIEW
(standards.iteh.ai)

[ISO 6971:2002](#)

<https://standards.iteh.ai/catalog/standards/sist/581aacdb-6fe5-44ab-8596-dc3bfd6aa245/iso-6971-2002>

© ISO 2002

All rights reserved. Unless otherwise specified, no part of this publication may be reproduced or utilized in any form or by any means, electronic or mechanical, including photocopying and microfilm, without permission in writing from either ISO at the address below or ISO's member body in the country of the requester.

ISO copyright office
Case postale 56 • CH-1211 Geneva 20
Tel. + 41 22 749 01 11
Fax + 41 22 749 09 47
E-mail copyright@iso.ch
Web www.iso.ch

Printed in Switzerland

Contents

Page

Foreword	iv
1 Scope	1
2 Normative reference	1
3 Chains	1
3.1 General	1
3.2 Nomenclature	1
3.3 Dimensions	1
3.4 Tensile strength	2
3.5 Length accuracy	2
3.6 Designation	2
3.7 Marking	2
4 Attachments	6
4.1 Types	6
4.2 Dimensions	6
5 Sprockets	9
5.1 Diametral dimensions	9
5.2 Tooth gap form	12
5.3 Rim profile	13
5.4 Tolerances	14
5.5 Marking	14

[ISO 6971:2002](https://standards.itech.ai/catalog/standards/sist/581aacdb-6fe5-44ab-8596-dc3bfd6aa245/iso-6971-2002)

<https://standards.itech.ai/catalog/standards/sist/581aacdb-6fe5-44ab-8596-dc3bfd6aa245/iso-6971-2002>

Foreword

ISO (the International Organization for Standardization) is a worldwide federation of national standards bodies (ISO member bodies). The work of preparing International Standards is normally carried out through ISO technical committees. Each member body interested in a subject for which a technical committee has been established has the right to be represented on that committee. International organizations, governmental and non-governmental, in liaison with ISO, also take part in the work. ISO collaborates closely with the International Electrotechnical Commission (IEC) on all matters of electrotechnical standardization.

International Standards are drafted in accordance with the rules given in the ISO/IEC Directives, Part 3.

The main task of technical committees is to prepare International Standards. Draft International Standards adopted by the technical committees are circulated to the member bodies for voting. Publication as an International Standard requires approval by at least 75 % of the member bodies casting a vote.

Attention is drawn to the possibility that some of the elements of this International Standard may be the subject of patent rights. ISO shall not be held responsible for identifying any or all such patent rights.

ISO 6971 was prepared by Technical Committee ISO/TC 100, *Chains and chain wheels for power transmission and conveyors*.

This second edition cancels and replaces the first edition (ISO 6971:1982), which has been technically revised. In particular, the references and terminology have been revised to bring them into conformity with other International Standards and current practice. Furthermore, in clause 5, the pitch line clearance of sprockets has been altered for consistency with current industry practice.

iTeh STANDARD PREVIEW
(standards.iteh.ai)

ISO 6971:2002
<https://standards.iteh.ai/catalog/standards/sist/581aacdb-6fe5-44ab-8596-dc3bfd6aa245/iso-6971-2002>

Cranked-link drag chains of welded construction, attachments and sprockets

1 Scope

This International Standard specifies the characteristics of cranked-link¹⁾ drag chains of welded construction suitable for conveying bulk materials, together with associated attachments and chain sprockets. The chain dimensions specified in this International Standard ensure interchangeability of both complete chains and individual links for repair purposes.

This International Standard is applicable to sprockets with between 5 and 20 teeth.

Specifications are also given for five types of attachment for use with the conveyor chains conforming to this International Standard.

2 Normative reference

The following normative document contains provisions which, through reference in this text, constitute provisions of this International Standard. For dated references, subsequent amendments to, or revisions of, any of these publications do not apply. However, parties to agreements based on this International Standard are encouraged to investigate the possibility of applying the most recent edition of the normative document indicated below. For undated references, the latest edition of the normative document referred to applies. Members of ISO and IEC maintain registers of currently valid International Standards.

ISO 286-2, *ISO system of limits and fits — Part 2: Tables of standard tolerance grades and limit deviations for holes and shafts*

3 Chains

3.1 General

The chain is designed to operate with the closed end of each link in the forward direction to produce the maximum scraping action against the material to be conveyed.

3.2 Nomenclature

The nomenclature of the chains and their component parts is specified in Figures 1 and 2.

3.3 Dimensions

Conveyor chain dimensions shall conform to those given in Table 1 (see Figure 3). Both maximum and minimum dimensions are specified to ensure interchangeability of links made by different chain manufacturers. Although these represent limits for interchangeability, they shall not necessarily be regarded as limits of tolerance for manufacture.

1) In the USA, the term “offset sidebar” is used in place of “cranked link”.

3.4 Tensile strength

3.4.1 Minimum tensile strength

The minimum tensile strength is that value which shall be exceeded when a tensile force is applied to a sample which is tested to destruction in accordance with 3.4.2.

NOTE This minimum tensile strength is not a working force. It is intended primarily as a comparative figure between chains of different construction. For application information, it is necessary to consult the manufacturers or their published data.

3.4.2 Tensile testing

A tensile force, not less than the minimum tensile strength specified in Table 1, shall be applied slowly to the ends of a chain, containing a minimum of three free pitches, by means of shackles so designed as to allow universal movement. The actual test method is at the discretion of the manufacturer.

Failure shall be considered to have occurred at the first point where increasing extension is no longer accompanied by increasing force, i.e. the summit of the force/extension diagram.

Any test in which failure occurs adjacent to the shackles shall be disregarded.

3.5 Length accuracy

Finished chains shall be measured either in the dry state or after light lubrication.

The standard nominal length for measurement shall be that nearest to 3 048 mm.

The chain shall be supported throughout its length and the measuring force specified in Table 1 shall be applied.

The finished chain length shall be equal to the nominal chain length $+ 0,32 \%$.

Chains that work in parallel may be matched by agreement between the purchaser and the manufacturer.

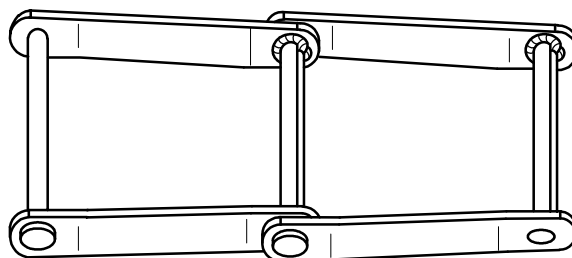
3.6 Designation

The designation numbers for welded-steel-type cranked link drag chains are based on the ISO chain numbers given in Table 1. These numbers are derived from those given to the cast type which they replace and have been given the prefix WD to indicate that they are of welded design.

3.7 Marking

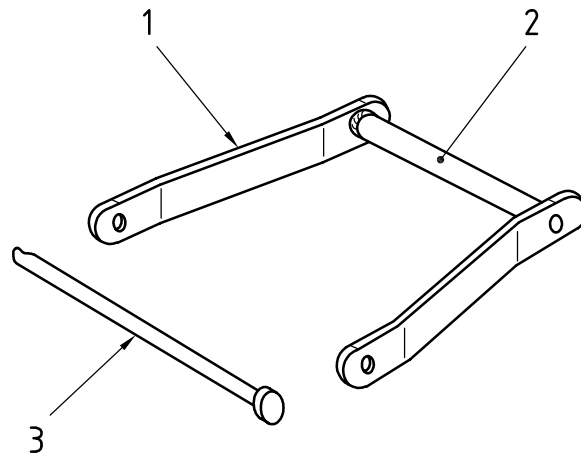
The chains shall be marked with the manufacturer's name or trademark and in addition should be marked with the appropriate ISO chain number given in Table 1.

The marking of the chain shall not be obscured by the attachments.



NOTE The illustration does not define the actual form of the cranked link.

Figure 1 — Cranked link chain assembly

**Key**

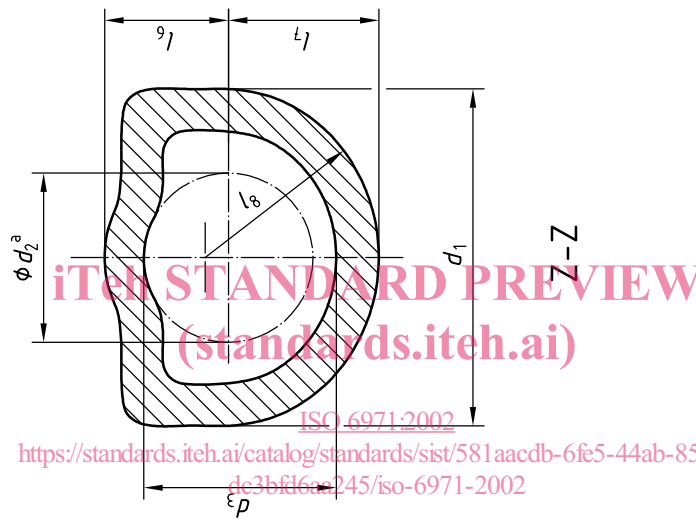
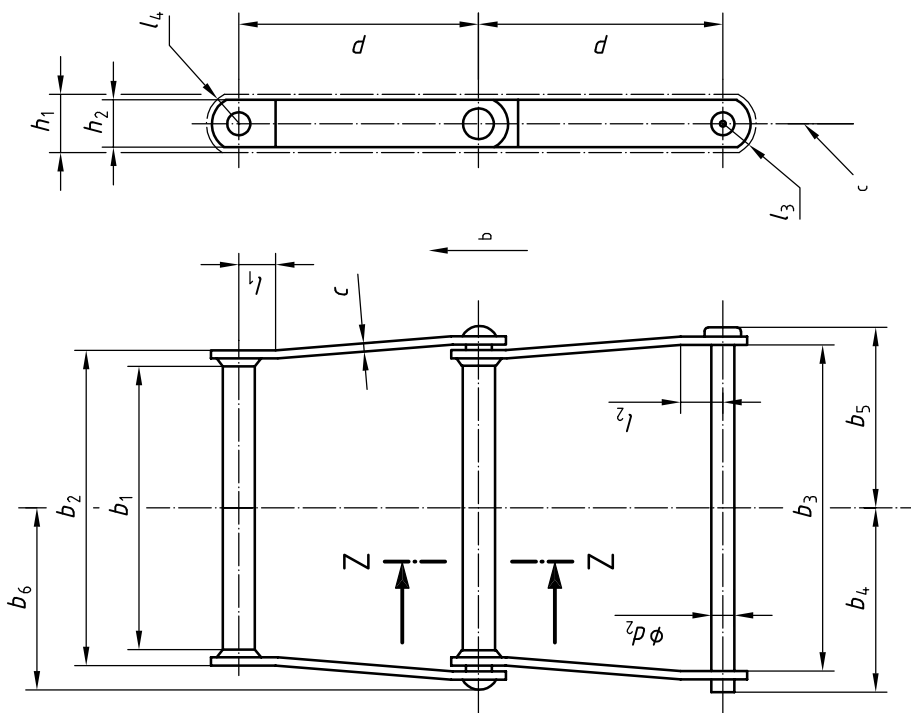
- 1 Cranked plate
- 2 Barrel
- 3 Connecting pin

NOTE The illustration does not define the actual form of the cranked link.

Figure 2 — Typical cranked link components
iTeh STANDARD PREVIEW
(standards.iteh.ai)

[ISO 6971:2002](https://standards.iteh.ai/catalog/standards/sist/581aacdb-6fe5-44ab-8596-dc3bfd6aa245/iso-6971-2002)

<https://standards.iteh.ai/catalog/standards/sist/581aacdb-6fe5-44ab-8596-dc3bfd6aa245/iso-6971-2002>



The overall width of connecting links is

$b_5 + b_6$, when riveted

$b_4 + b_5$, when there is a fastener at one side

$2b_4$, when there is a fastener at both sides

The line of cranking, or offset, between l_1 and l_2 is straight.

NOTE The illustration does not define the actual form of the cranked link.

a (ref.)

b Direction of travel

c Pitch line

Figure 3 — Chain dimensions and symbols (see Table 1)

Table 1 — Chain dimensions, measuring forces and tensile strengths

ISO chain number	Pitch p^a	Barrel shape				Width across the barrel with respect to section Z-Z d_1	Plate hole for barrel bore d_3	l_6		l_7		l_8		Width between plates for sprocket contact at inner end b_1	Connecting pin body diameter d_2	Chain path depth h_1	Barrel diameter or plate depth h_2	Crank clearance dimensions			Plate end clearance dimensions			Width over link at inner end b_2	Width between plates at outer end b_3	Width over pin fastening to centreline b_4	Width over pin head to centreline b_5	Width over rivet to centreline b_6	Chain plate thickness c	Measuring force		Tensile strength	
		nom.	max.	min.	max.			min.	max.	min.	max.	min.	max.					min.	max.	min.	max.	min.	max.							min.	max.	min.	max.
WD102	127	38,1	39,1	19,25	14,2	17,5	19,6	162	19,13	39,6	38,12	25,6	25,4	25,4	197,1	197,6	127,8	117,6	127,8	9,7	2,7	170	245										
WD104	152,4	38,1	39,1	19,25	14,2	17,5	19,6	104,6	19,13	39,6	38,12	25,6	25,4	25,4	136,9	137,4	94	87,4	94	9,7	1,8	170	245										
WD110	152,4	38,1	39,1	19,25	14,2	17,5	19,6	228,6	19,13	39,6	38,12	25,6	25,4	25,4	263,9	264,4	157,5	151,1	157,5	9,7	3,1	170	245										
WD112	203,2	38,1	39,1	19,25	14,2	17,5	19,6	228,6	19,13	39,6	38,12	25,6	25,4	25,4	263,9	264,4	157,5	151,1	157,5	9,7	2,7	170	245										
WD113	152,4	38,1	39,1	22,43	15,7	17,5	19,6	228,6	22,3	39,6	38,12	25,6	25,4	25,4	270,2	270,7	165,1	157,2	165,1	12,7	3,6	213	253										
WD116	203,2	44,45	45,2	19,25	16	20,6	22,6	330,2	19,13	46	45,21	28,7	28,4	28,4	359,1	359,6	205,2	200,7	205,2	9,7	3,6	245	262										
WD118	203,2	50,8	51,8	22,43	20,6	23,9	25,9	336,5	22,3	52,3	51,8	35,3	35	35	378,2	378,7	220	211,1	220	12,7	5,8	311	351										
WD122	203,2	50,8	51,8	22,43	20,6	23,9	25,9	222,2	22,3	52,3	51,8	35,3	35	35	260,6	261,1	162,1	152,4	162,1	12,7	4	311	351										
WD480	203,2	50,8	51,8	22,43	20,6	23,9	25,9	282,4	22,3	52,3	51,8	32	31,7	35	324,1	324,6	193,8	184,2	193,8	12,7	4,4	311	351										

^a The pitch, p , is a theoretical reference dimension used in the calculation of chain lengths and sprocket dimensions, and is not intended for use in the inspection of individual links.

4 Attachments

4.1 Types

This International Standard specifies five types of attachment designated C1, C3, C4, RR and wing with the following characteristics:

- C1, C3, and C4: have a scraper bar attached to the barrel perpendicular to the direction of travel, as shown in Figure 4;
- RR: has a triangular spur attached to each cranked plate, as shown in Figure 5;
- wing: has an angle section attached to the outer face of each cranked plate, as shown in Figure 6.

4.2 Dimensions

The respective dimensions of the attachments shall be as specified in Tables 2 to 6.

NOTE The actual form of the attachments is at the discretion of the manufacturer.

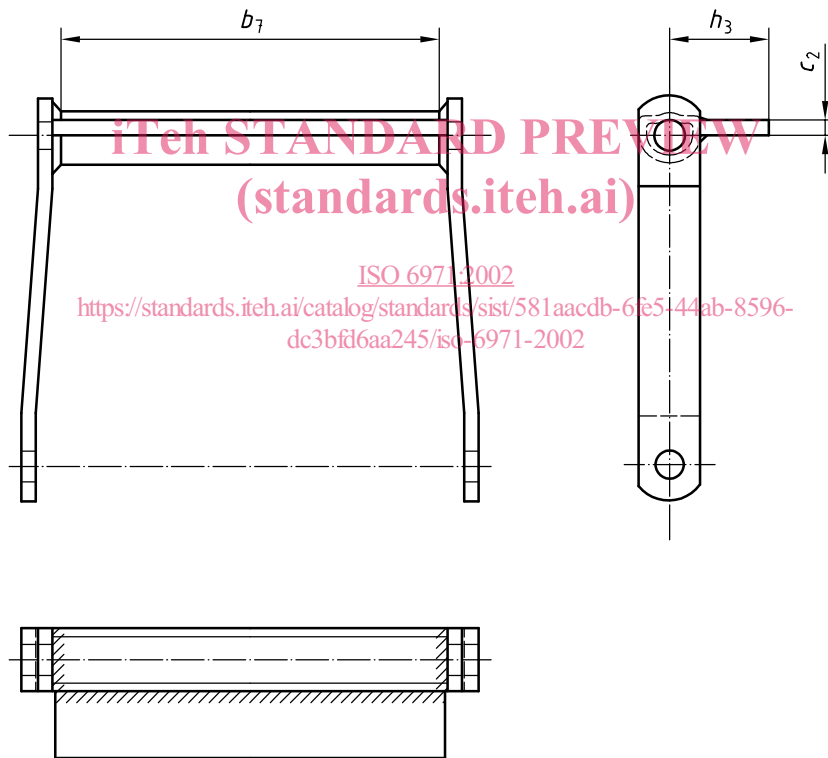


Figure 4 — C1, C3 and C4 attachments (see Tables 2, 3 and 4)

Table 2 — Dimensions of C1 attachment

Dimensions in millimetres

ISO chain number	c_2	b_7 max.	h_3 max.
WD102	9,7	197,1	62
WD104	9,7	136,9	62
WD110	9,7	263,9	62
WD112	9,7	263,9	62
WD116	9,7	359,2	68,1

Table 3 — Dimensions of C3 attachment

Dimensions in millimetres

ISO chain number	c_2	b_7 max.	h_3 max.
WD110	12,7	263,9	58,7
WD113	12,7	270,3	58,7
WD118	12,7	378,2	77,7
WD480	12,7	324,1	77,7

Table 4 — Dimensions of C4 attachment

Dimensions in millimetres

ISO chain number	c_2	b_7 max.	h_3 max.
WD102	9,7	197,1	96,8
WD104	9,7	136,9	96,8
WD110	9,7	263,9	96,8
WD112	9,7	263,9	96,8
WD113	12,7	270,3	122,2
WD116	9,7	359,2	125,5
WD480	12,7	324,1	128,5