



INTERNATIONAL STANDARD ISO 1522:1998
TECHNICAL CORRIGENDUM 1

Published 1998-11-15

INTERNATIONAL ORGANIZATION FOR STANDARDIZATION • МЕЖДУНАРОДНАЯ ОРГАНИЗАЦИЯ ПО СТАНДАРТИЗАЦИИ • ORGANISATION INTERNATIONALE DE NORMALISATION

Paints and varnishes — Pendulum damping test

TECHNICAL CORRIGENDUM 1

Peintures et vernis — Essai d'amortissement du pendule

RECTIFICATIF TECHNIQUE 1

Technical Corrigendum 1 to International Standard ISO 1522:1998 was prepared by Technical Committee ISO/TC 35, *Paints and varnishes*, Subcommittee SC 9, *General test methods for paints and varnishes*.

(standards.iteh.ai)

[ISO 1522:1998/Cor 1:1998](https://standards.iteh.ai/catalog/standards/sist/b020b98c-4dbb-4e98-88e1-
caa762979a14/iso-1522-1998-cor-1-1998)

[https://standards.iteh.ai/catalog/standards/sist/b020b98c-4dbb-4e98-88e1-
caa762979a14/iso-1522-1998-cor-1-1998](https://standards.iteh.ai/catalog/standards/sist/b020b98c-4dbb-4e98-88e1-
caa762979a14/iso-1522-1998-cor-1-1998)

Page 2

Figure 1

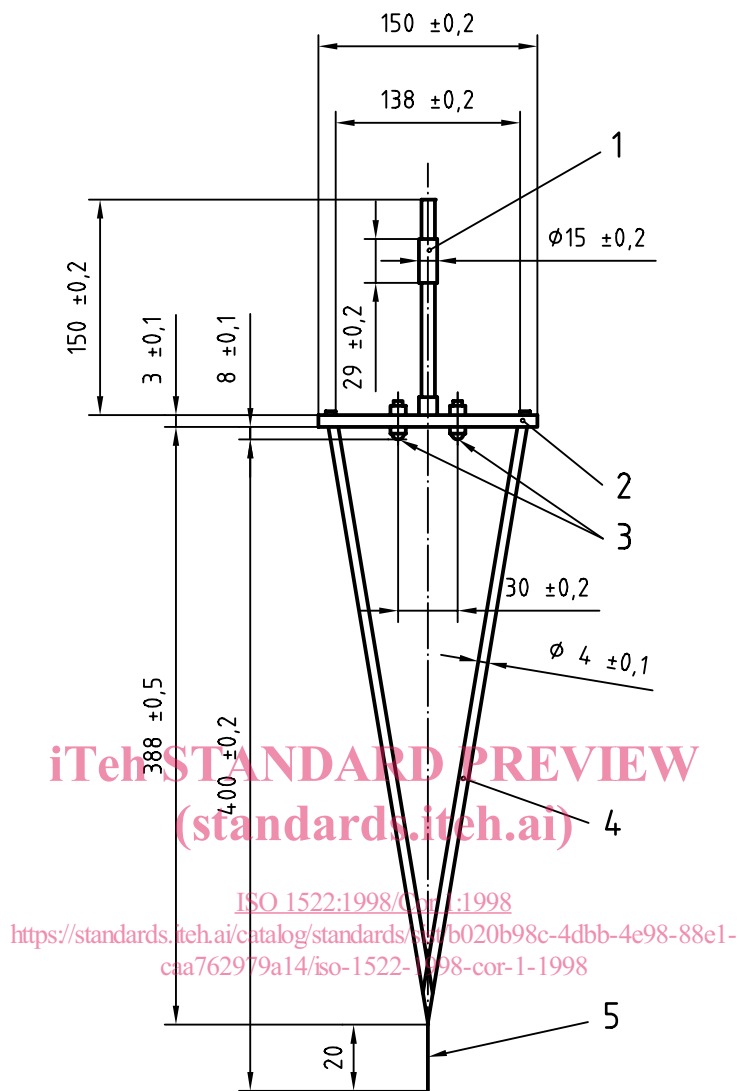
Replace the existing figure by the accompanying figure in which the arrow indicating the length of the cross-bar (2) has been extended to the ends of the cross-bar. In addition, the wording of item 2 in the key has been corrected to indicate that the cross-bar width is $(12 \pm 0,1)$ mm (the length is 150 mm).

Page 3

Figure 2

Replace the existing figure by the accompanying figure in which the 60 mm dimension extends to the bottom of the ball and not to the bar.

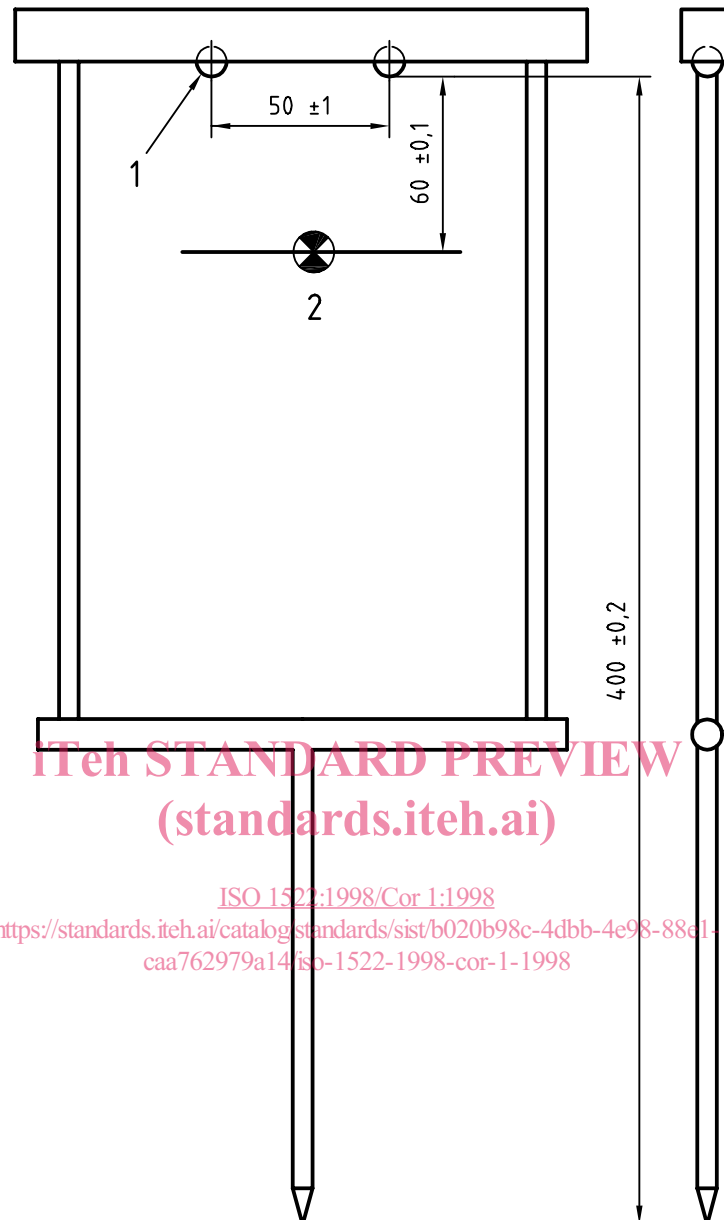
Dimensions in millimetres



- 1 Counterpoise (adjustable)
- 2 Cross-bar, width $12 \pm 0,1$
- 3 Ball, $\phi 5$
- 4 Frame
- 5 Tip

Figure 1 — König pendulum

Dimensions in millimetres



ITeh STANDARD PREVIEW
(standards.iteh.ai)
ISO 1522:1998/Cor 1:1998
[https://standards.iteh.ai/catalog/standards/sist/b020b98c-4dbb-4e98-88c1-
caa762979a14/iso-1522-1998-cor-1-1998](https://standards.iteh.ai/catalog/standards/sist/b020b98c-4dbb-4e98-88c1-
caa762979a14/iso-1522-1998-cor-1-1998)

- 1 Ball, $\varnothing 0,8$
- 2 Centre of gravity

Figure 2 — Persoz pendulum